

Features

- End drain.
- Integral lumbar support.
- 72" (1829 mm) x 37-1/2" (953 mm) x 21-1/2" (546 mm)

Material

- Cast iron with Safeguard® finish.

Installation

- Freestanding

Required Accessories

- K- 102 Antique Ball and Claw Legs
- K- 106 Chain and Rubber Stopper Bath Drain
110
- K-127

Recommended Accessories

- K- 1491 Bath/Whirlpool Pillow
- K- 1601 Bath/Whirlpool Footstop



Codes/Standards



ASME A112.19.1/CSA B45.2

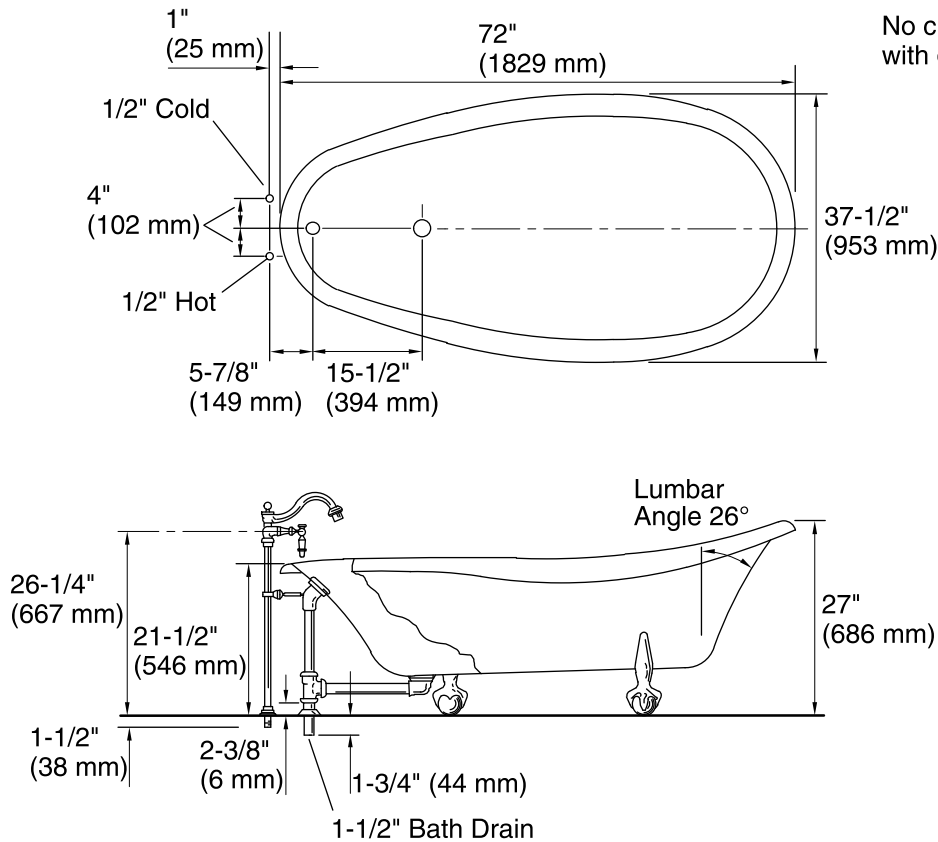
KOHLER® Lifetime Limited Warranty for Cast Iron Components

See website for detailed warranty information.

Available Color/Finishes

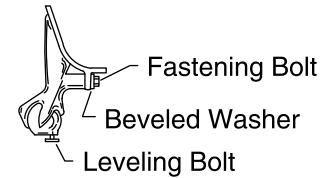
Color tiles intended for reference only.

Color	Code	Description
	0	White
	96	Biscuit



No change in measurements if connected with drain illustrated. (K-106)

Leg Detail



Technical Information

All product dimensions are nominal.

Installation:	Freestanding
Drain location:	End
Basin area, bottom:	43" x 21" (1092 mm x 533 mm)
Basin area, top:	67" x 31" (1702 mm x 787 mm)
Weight:	430 lbs (195 kg)
Minimum floor load:	47 lbs/ft ² (229.5 kg/m ²)
Water depth:	11-1/8" (283 mm)
Water capacity:	50 gal (189.3 L)
Minimum flat for door:	0" (0 mm)

Notes

Measure your actual product for rough-in details.

Install this product according to the installation instructions.

The hot water supply should be 70% of the capacity of the bath or greater. Installations will vary.