

Apollo® 78-100 Series

Bronze Ball Valve With Dust Cover and Chain

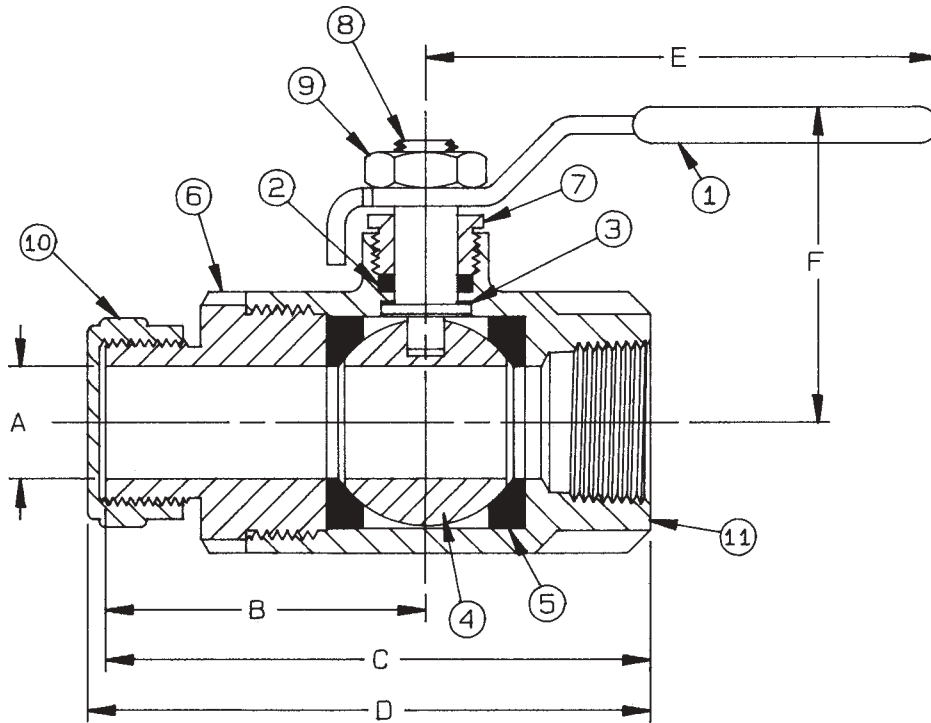
Threaded x 3/4" Hose Connection.

FEATURES

- Chromium plated ball
- RPTFE seats and stuffing box ring
- Securely attached dust cover with chain. **(Dust cover cannot be used to contain pressure)**
- Blow-out-proof stem design
- Adjustable packing gland

STANDARD MATERIAL LIST

1. Lever and grip	Steel, zinc plated w/vinyl	7. Gland nut	B16
2. Stem packing	RPTFE	8. Stem	B16
3. Stem bearing	RPTFE	9. Lever nut	Steel, zinc plated
4. Ball	B16, chrome plated	10. Dust cover	Diecast
5. Seat (2)	RPTFE	11. Body	B584-C84400
6. Retainer	B16		



**For Pressure/Temperature Ratings,
Refer to Page M-8, Graph No. 4**

BRONZE BALL VALVE WITH CAP AND CHAIN

NUMBER	SIZE	A	B	C	D	E	F	Wt.
78-103-01	1/2" NPT x 3/4" HOSE	.50	1.68	2.81	2.95	3.87	1.75	.63
78-104-01	3/4" NPT x 3/4" HOSE	.68	1.96	3.50	3.65	4.87	2.12	1.39