



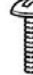



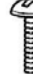



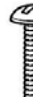

SPECIFICATION SUBMITTAL SHEET

JONES STEPHENS CORPORATION

SOLID BRASS BIBB SCREW ASSORTMENT KIT



J40-153

#6-32 x 3/8"	#8-32 x 3/8"	#10-24 x 3/8"	#10-32 x 3/8"
			
#6-32 x 3/8"	#8-32 x 3/8"	#10-24 x 3/8"	#10-32 x 3/8"
			
#6-32 x 1/2"	#8-32 x 1/2"	#10-24 x 1/2"	#10-32 x 1/2"
			

PART NO.	DESCRIPTION
----------	-------------

□ J40-153	208 pcs. Bibb screw assortment
-----------	--------------------------------

This product and others like it can be found in the Jones Stephens catalog. Call today to order your catalog or download it from our website:
www.plumbest.com

Jones Stephens Corporation
3249 Moody Parkway • Moody, Alabama 35004
Toll Free Phone: 1-800-355-6637 • Toll Free Fax: 1-800-462-6991
www.plumbest.com