



see what Delta can do™

HAND SHOWER W/ SLIDE BAR OR WALL MOUNT

■ 2-Setting Hand Shower

FEATURES:

- Touch-Clean® Spray Holes
- Lumicoat® Finish (-PR models only)
- Lumicoat® Finishes easily wipe clean without cleaners and chemicals on the products most commonly touched areas

STANDARD SPECIFICATIONS:

- Max flow rate 1.75 gpm @ 80 psi, 6.6 L/min @ 550 kPa
- Certified dual check valves for backflow protection
- 60"- 82" (1524 mm-2083 mm) stretchable metal hose
- 27 11/16" (703 mm) wall bar with adjustable slide (allows for adjustable shower height), not to be used as a grab bar (51537-▲ only)
- Wall mount bracket for hands-free showering - (55537-▲ only)
- Ball connector swivel angle is 40° (20° per side) - (55537-▲ only)
- Lumicoat® is not applied to the slide bar or shower hose
- 2-Spray settings include: Full Body Spray & ProClean™ Spray

WARRANTY:

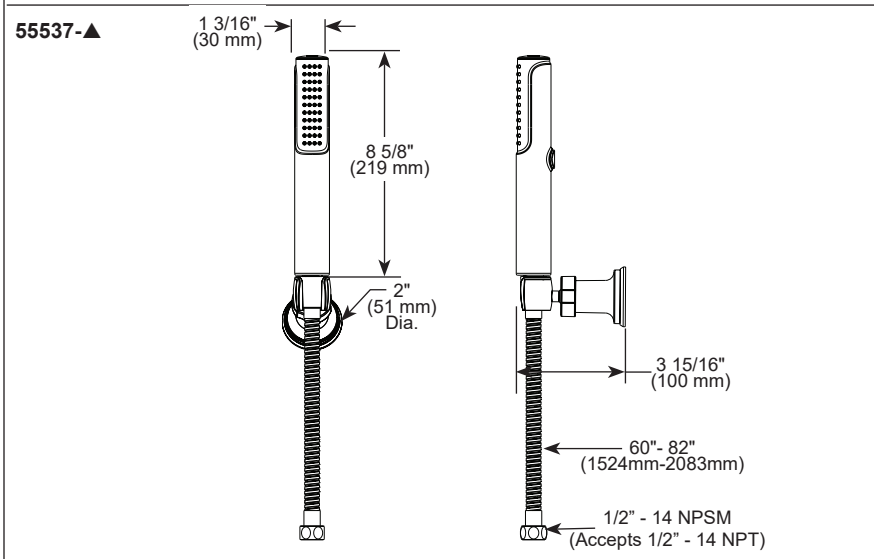
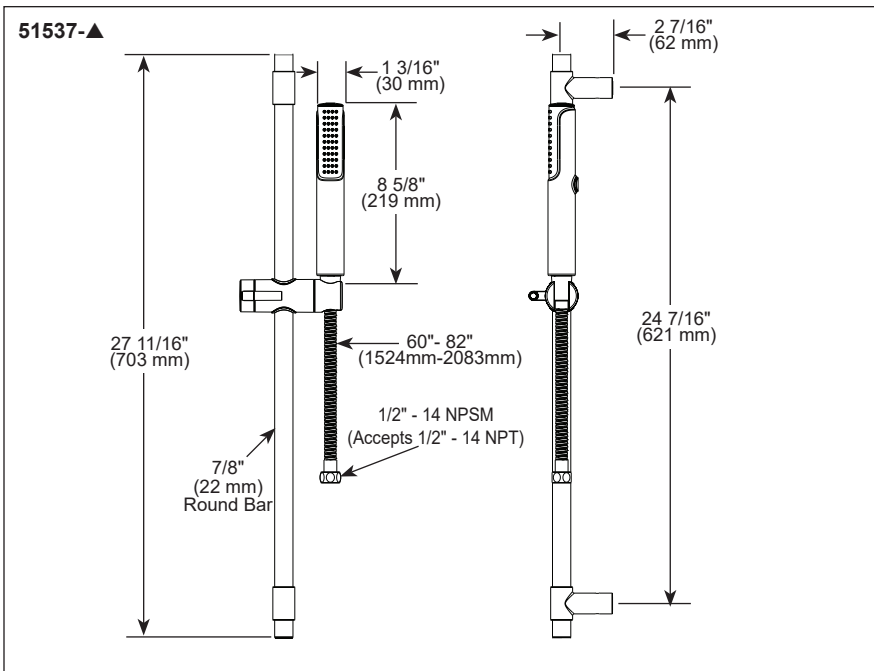
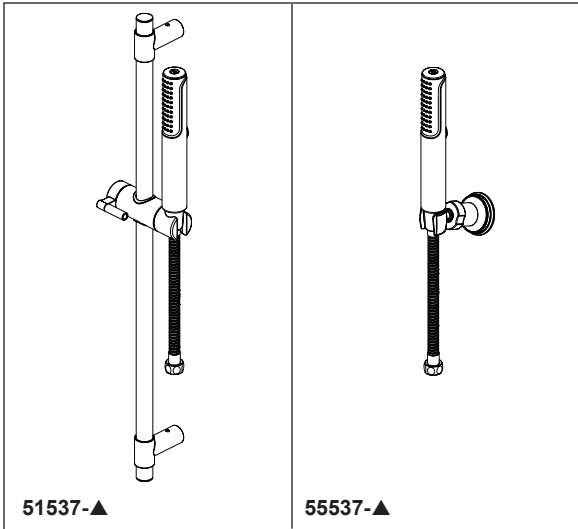
- Parts and Finish – Lifetime limited warranty; or for commercial purchasers, 10 years for multi-family residential (apartments and condominiums) and 5 years for all other commercial uses, in each case from the date the product is received by the original purchaser or their authorized representative (installation contractor, etc.).
- Please go to www.deltafaucet.com for the complete details of our limited warranty.



COMPLIES WITH:

- ASME A112.18.1 / CSA B125.1♦
- ASME A112.18.3
- EPA WaterSense®

♦ Your Delta hand shower incorporates a backflow protection system that has been tested to be in compliance with ASME A112.18.3 and ASME A112.18.1/CSA B125.1. It incorporates two certified check valves in series, which operate independently and are integral, non-serviceable parts of the wand assembly.



▲ Designate proper finish suffix

Delta Faucet Company reserves the right (1) to make changes in specifications and materials, and (2) to change or discontinue models, both without notice or obligation. Dimensions are for reference only. See current full-line price book or www.deltafaucet.com for finish options and product availability.

DSP-B-51537 Rev. B

Delta Faucet Company

55 E. 111th Street, Carmel, IN 46280
350 South Edgeware Road, St. Thomas, ON N5P 4L1
© 2025 Delta Faucet Company