

Gilpin - PROPFGPC512PALWHA

Two-Piece Round Front, Rear Outlet Toilet



Product Features

- PROPFGPC512PALWHA consists of PF1604PAWH (bowl) and PF1612PALWHA (tank)
- 1.0 GPF
- Pressure assist equipped with EcoFlush Pressure Assist System
- Vitreous china
- 15-1/8" floor mount, rear outlet, round front bowl
- Rough-in: 4-1/2"
- Flush valve: 3"
- Trapway: 2" fully glazed
- Water spot: 12-1/4" x 9-5/8"
- Side-mounted chrome trip lever
- Sanitary bar on bowl for easy cleaning
- Quick connect, three-bolt tank-to-bowl installation



Optional Accessories/Available Parts

- PF1612PACVLH** Flush Valve Cartridge for Left-Hand Tank
PF1612PATL Handle
PF1612TGPK Tank-to-bowl Gasket

Available Colors: White (WH)

Codes and Certifications



- IAPMO/cUPC
- EPA WaterSense Certified
- ASME A112.19.2 / CSA B45.1
- MaP Rated 1000g

Tank

PF1612PALWHA 12" Rough-in Tank with Locking Lid

Bowl

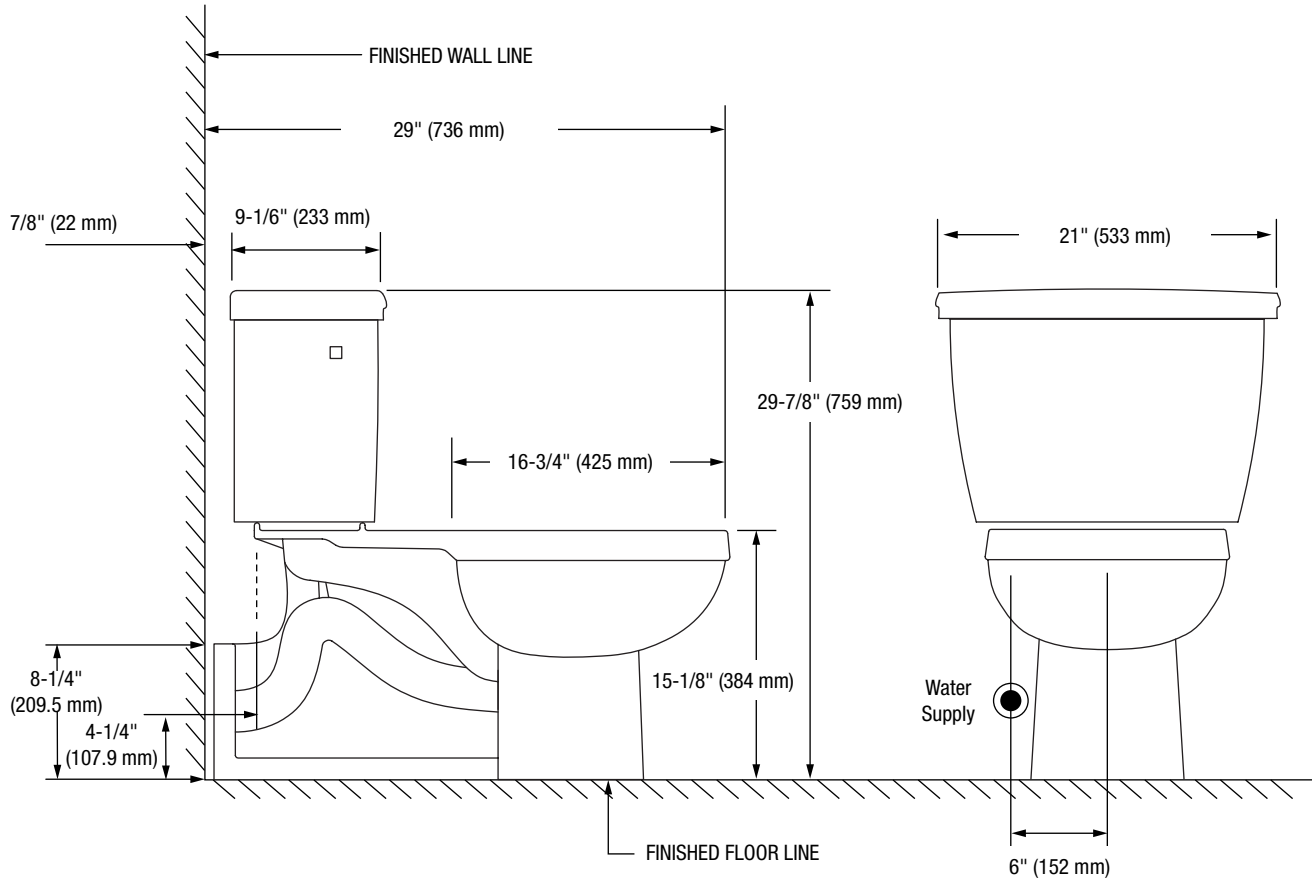
PF1604PAWH Round Front, Floor-mounted,
Back-outlet Bowl - 15-1/8"

Visit ferguson.com/PROFLO-vitreous-china-warranty for detailed warranty information.

FERGUSON.COM/PROFLO

Gilpin - PROPFGPC512PALWHA

Two-Piece Round Front, Rear Outlet Toilet



Note: All dimensions and specifications are nominal and may vary. Dimensions of 8" and greater have a tolerance of +3%. Dimensions less than 8" have a tolerance of +5%.