

# Gilpin - PROFGPC012PALWHA

## Two-Piece Round Front Toilet



### Product Features

- PROFGPC012PALWHA consists of PF1600PAWH (bowl) and PF1612PALWHA (tank)
- 1.0 GPF
- Pressure assist equipped with EcoFlush Pressure Assist System
- Vitreous china
- 14-1/8" round front bowl
- Rough-in: 12"
- Flush valve: 3"
- Trapway: 2" fully glazed
- Water spot: 13-1/2" x 11"
- Side-mounted chrome trip lever
- Sanitary bar on bowl for easy cleaning
- Quick connect, three-bolt tank-to-bowl installation



### Optional Accessories/Available Parts

- PF1612PACVLH** Flush Valve Cartridge for Left-Hand Tank
- PF1612PATL** Handle
- PF1612TGPK** Tank-to-bowl Gasket

Available Colors: White (WH)

### Codes and Certifications



- IAPMO/cUPC
- EPA WaterSense Certified
- ASME A112.19.2 / CSA B45.1
- MaP Rated 1000g

#### Tank

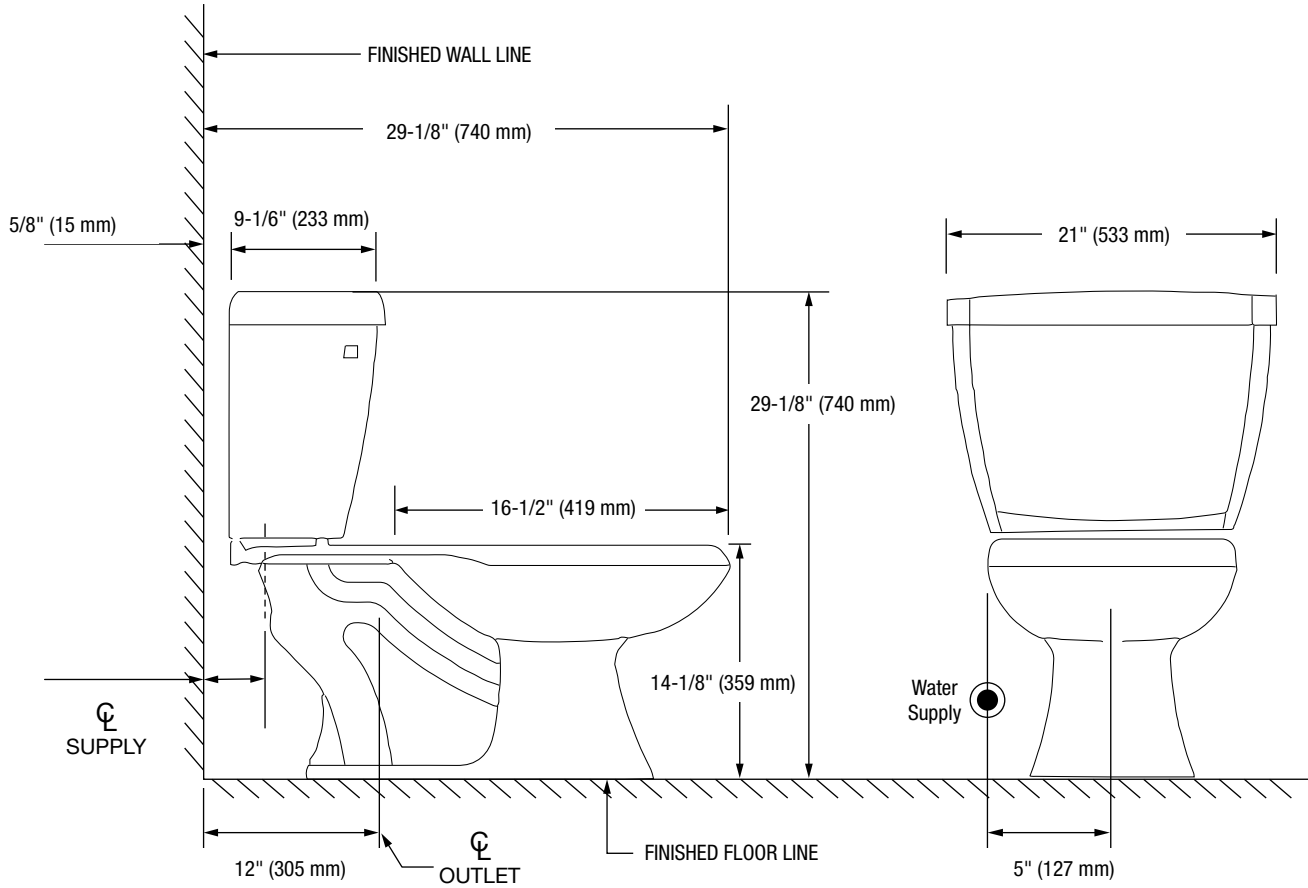
**PF1612PALWHA** 12" Rough-in Tank with Locking Lid

#### Bowl

**PF1600PAWH** Round Front Bowl - 14-1/8"

Visit [ferguson.com/PROFLO-vitreous-china-warranty](http://ferguson.com/PROFLO-vitreous-china-warranty) for detailed warranty information.

Gilpin - PROPGPC012PALWHA  
**Two-Piece Round Front Toilet**



Note: All dimensions and specifications are nominal and may vary. Dimensions of 8" and greater have a tolerance of +3%. Dimensions less than 8" have a tolerance of +5%.