

Gilpin - PROFGPC210PAWHA

Two-Piece Elongated Toilet



Product Features

- PROFGPC210PAWHA consists of PF1601PAWH (bowl) and PF1610PAWHA (tank)
- 1.0 GPF
- Pressure assist equipped with EcoFlush Pressure Assist System
- Vitreous china
- 14-1/2" elongated bowl
- Rough-in: 10"
- Flush valve: 3"
- Trapway: 2" fully glazed
- Water spot: 13-1/2" x 11"
- Side-mounted chrome trip lever
- Sanitary bar on bowl for easy cleaning
- Quick connect, three-bolt tank-to-bowl installation



Optional Accessories/Available Parts

- PF1612PACVLH** Flush Valve Cartridge for Left-Hand Tank
PF1612PATL Handle
PF1612TGPK Tank-to-bowl Gasket

Available Colors: White (WH)

Codes and Certifications



- IAPMO/cUPC
- EPA WaterSense Certified
- ASME A112.19.2 / CSA B45.1
- MaP Rated 1000g

Tank

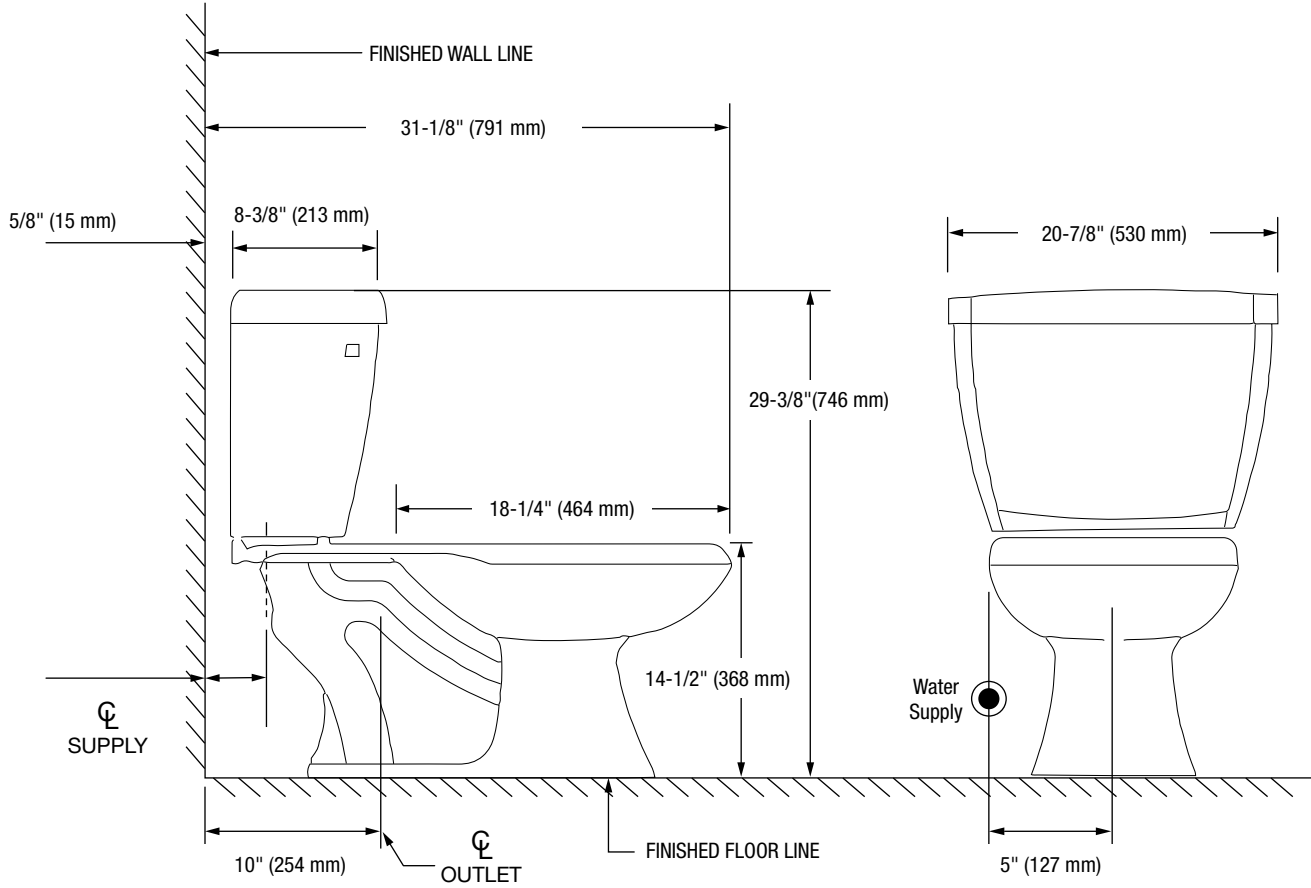
PF1610PAWHA 10" Rough-in Tank

Bowl

PF1601PAWH Elongated Bowl - 14-1/2"

Visit ferguson.com/PROFLO-vitreous-china-warranty for detailed warranty information.

Gilpin - PROFGPC210PAWHA
Two-Piece Elongated Toilet



Note: All dimensions and specifications are nominal and may vary. Dimensions of 8" and greater have a tolerance of +3%. Dimensions less than 8" have a tolerance of +5%.