

Gilpin - PROPFGPC612PALWHA

## Two-Piece Elongated Rear Outlet Toilet



### Product Features

- PROPFGPC612PALWHA consists of PF1605PAWH (bowl) and PF1612PALWHA (tank)
- 1.0 GPF
- Pressure assist equipped with EcoFlush Pressure Assist System
- Vitreous china
- 15" floor mount, rear outlet, elongated bowl
- Rough-in: 4-1/2"
- Flush valve: 3"
- Trapway: 2" fully glazed
- Water spot: 12-1/4" x 9-5/8"
- Side-mounted chrome trip lever
- Sanitary bar on bowl for easy cleaning
- Quick connect, three-bolt tank-to-bowl installation



### Optional Accessories/Available Parts

- PF1612PACVLH** Flush Valve Cartridge  
**PF1612PATL** Handle  
**PF1612TGPK** Tank-to-bowl Gasket

Available Colors: White (WH)

### Codes and Certifications



- IAPMO/cUPC
- EPA WaterSense Certified
- ASME A112.19.2 / CSA B45.1
- MaP Rated 1000g

#### Tank

**PF1612PALWHA** 12" Rough-in Tank with Locking Lid

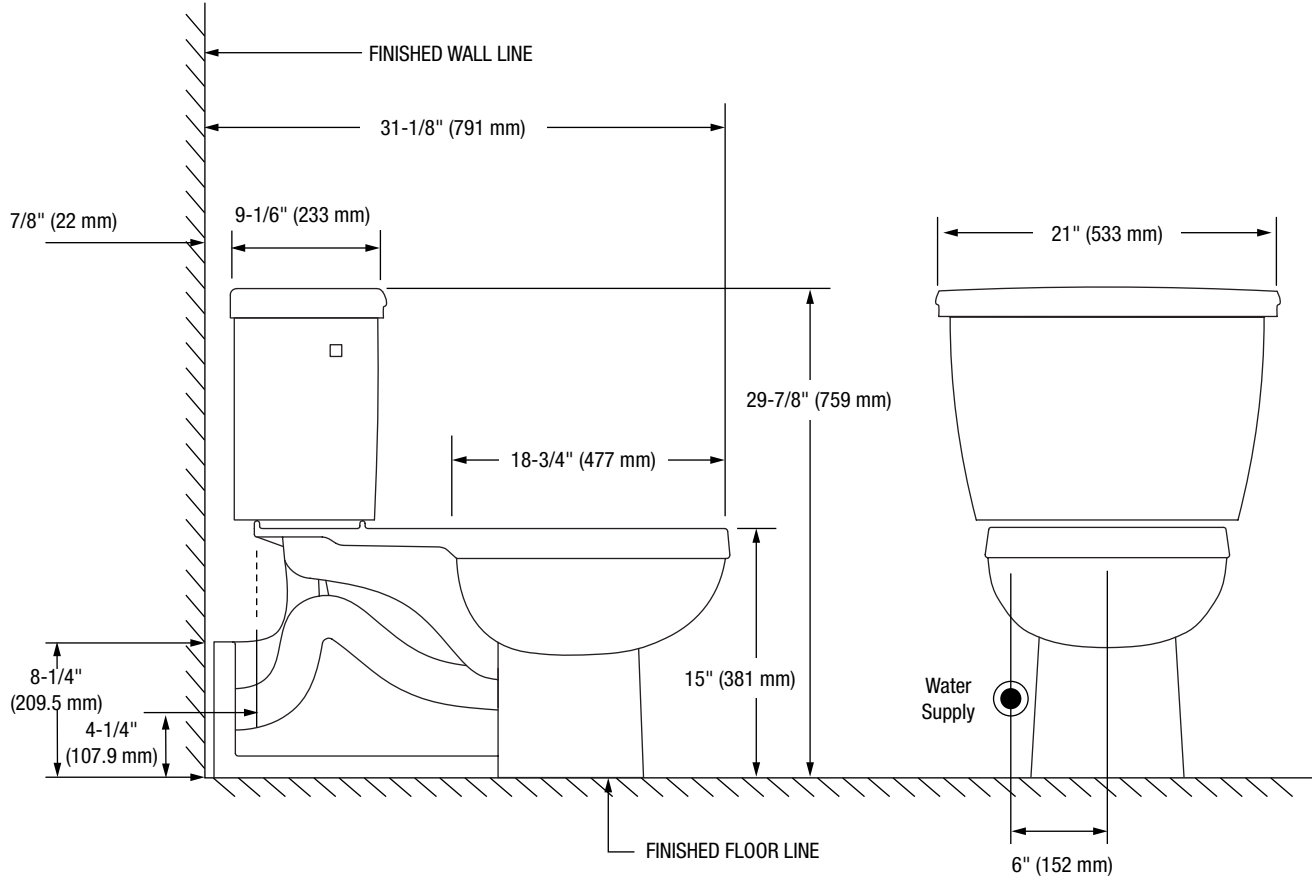
#### Bowl

**PF1605PAWH** Elongated, Floor-mounted,  
Back-outlet Bowl - 15"

Visit [ferguson.com/PROFLO-vitreous-china-warranty](http://ferguson.com/PROFLO-vitreous-china-warranty) for detailed warranty information.

Gilpin - PROPFGPC612PALWHA

# Two-Piece Elongated Rear Outlet Toilet



Note: All dimensions and specifications are nominal and may vary. Dimensions of 8" and greater have a tolerance of +3%. Dimensions less than 8" have a tolerance of +5%.