

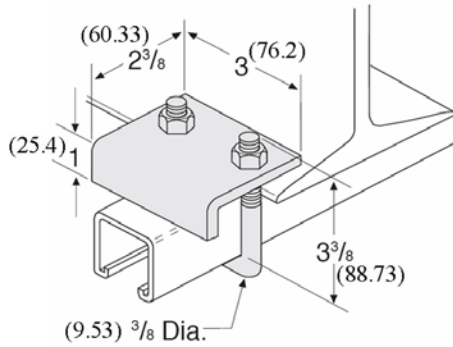
BEAM CLAMPS



7070 - 7076 Beam Clamp

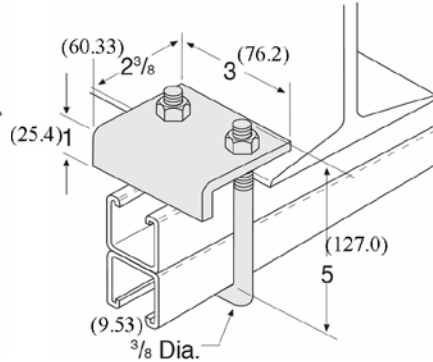
7070

For use with 1 5/8" Strut



7075

For use with 3 1/4" Strut



7076

For Use with 1500A or 1600A Series Strut

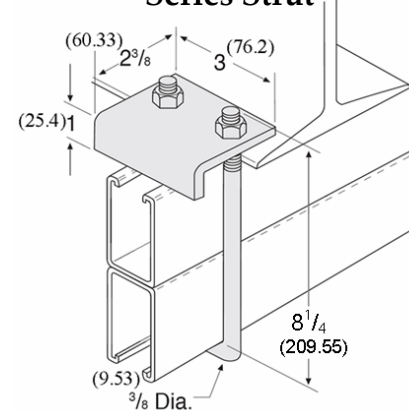


Fig. Number	Std. Package	Max. Rec. Load		Wt. Each	
		lbs.	kN	lbs.	kg
7070	25	1200*	(5.34)	.80	(.36)
7075	25	1200*	(5.34)	.88	(.40)
7076	25	1200*	(5.34)	1.12	(.51)

*Max. load when used in pairs. 3/4" (19.05) Max. Flange Thickness

Available in stainless steel. To order, specify 304 or 316 and add suffix SS to fig. number. Price on request.

MATERIAL: 1/4 (6.35)

FINISH: Electro-galvanized

ORDERING: Specify figure number.

Unless otherwise specified, all dimensions on drawings and in charts are in inches and dimensions shown in parentheses are in millimeters.