



see what Delta can do™

# HAND SHOWER

- H<sub>2</sub>Okinetic® Hand Shower
- 29" Wall Bar or Wall Mount
- Certified Dual Check Valves

## STANDARD SPECIFICATIONS:

- Maximum 1.75 gpm @ 80 psi, 6.6 L/min @ 550 kPa
- Hand held shower with three settings - H<sub>2</sub>Okinetic® PowerDrench® Spray, Massage Spray, pause is a non-positive shut-off
- Wall bar with adjustable height hand shower mount (51308 only)
- Slide bar hand shower mount must be installed on right hand side (51308 only)
- Adjustable wall mount for hands-free showering (55433 only)
- 60"-82" (1524 mm - 2083 mm) metal stretchable hose (51308, 55433)
- ADA compliant hand shower when installed per accessibility guidelines of the act

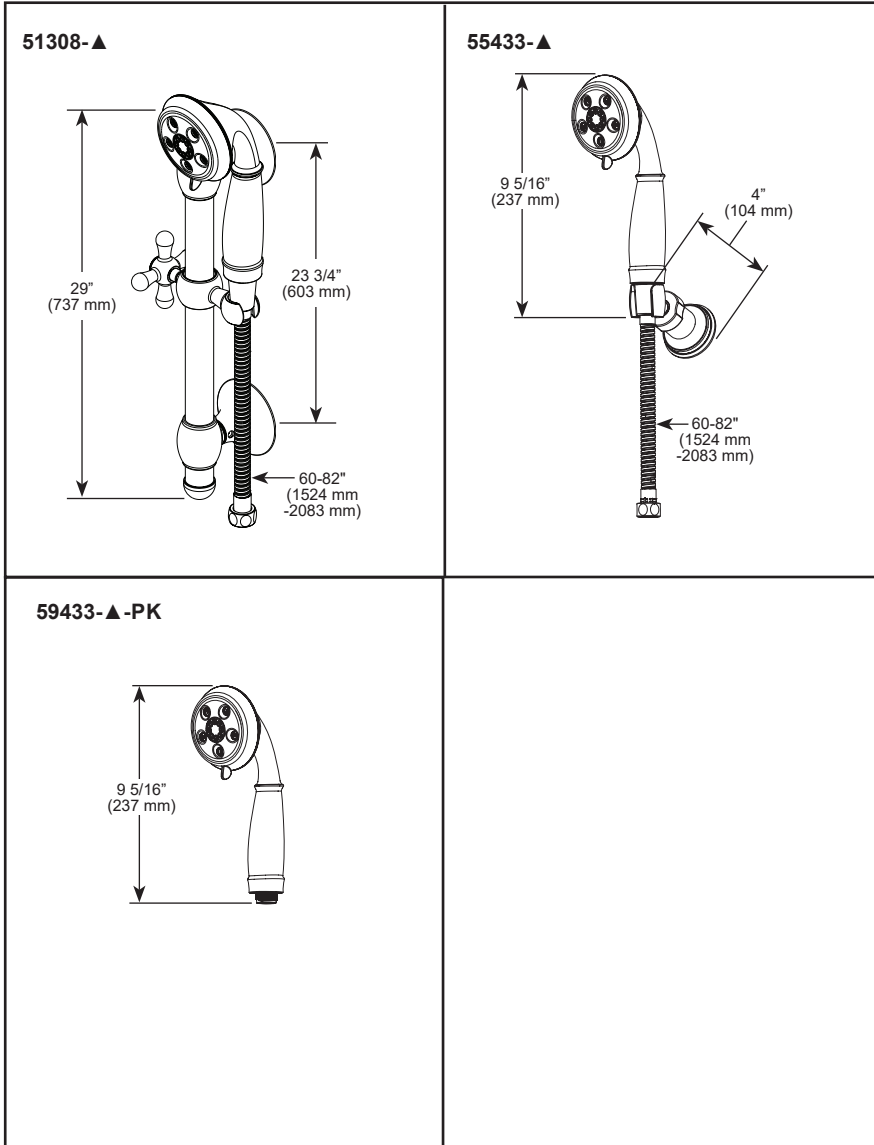
## WARRANTY

- Parts and Finish - Lifetime limited warranty; or for commercial purchasers, 10 years for multi-family residential (apartments and condominiums) and 5 years for all other commercial uses, in each case from the date the product is received by the original purchaser or their authorized representative (installation contractor, etc.).
- Please go to [www.deltafaucet.com](http://www.deltafaucet.com) for the complete details of our limited warranty.



## COMPLIES WITH:

- ASME A112.18.1 / CSA B125.1 ◆
- ASME A112.18.3
- EPA WaterSense®
- ♿ ICC/ANSI A117.1 - Applies to 59433-PK only



▲ Designate proper finish suffix

- ◆ Your Delta Faucet handshower incorporates a backflow protection system that has been tested to be in compliance with ASME A112.18.3 and ASME A112.18.1/CSA B125.1. It incorporates two certified check valves in series, which operate independently and are integral, non-serviceable parts of the wand assembly.

Delta Faucet Company reserves the right (1) to make changes in specifications and materials, and (2) to change or discontinue models, both without notice or obligation. Dimensions are for reference only. See current full-line price book or [www.deltafaucet.com](http://www.deltafaucet.com) for finish options and product availability.

DSP-B-51308 Rev. L

**Delta Faucet Company**  
 55 E. 111th Street, Carmel, IN 46280  
 350 South Edgeware Road, St. Thomas, ON N5P 4L1  
 © 2024 Delta Faucet Company