

## 6005

### Post Base for 1<sup>5</sup>/<sub>8</sub> Strut

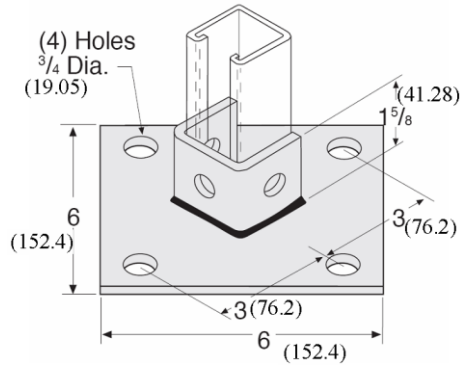


Fig. Number	Std. Package	Wt. Each	
		lbs.	kg
6005	10	3.14	(1.42)

Available in stainless steel. To order, specify 304 or 316 and add suffix SS to fig. number. Price on request.

**MATERIAL:** 1/4 (6.35)

**FINISH:** Electro-galvanized

**ORDERING:** Specify figure number.

**HOLE DIM:** 9/16 (14.29) dia. • 13/16 (20.64) from end

## 6010

### Post Base for 1<sup>5</sup>/<sub>8</sub> Strut

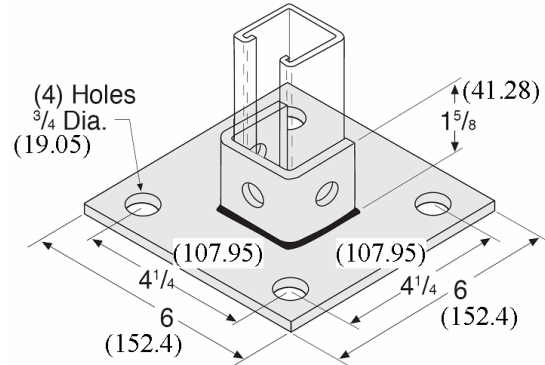


Fig. Number	Std. Package	Wt. Each	
		lbs.	kg
6010	10	3.14	(1.42)

Available in stainless steel. To order, specify 304 or 316 and add suffix SS to fig. number. Price on request.

**MATERIAL:** 1/4 (6.35)

**FINISH:** Electro-galvanized

**ORDERING:** Specify figure number.

**HOLE DIM:** 9/16 (14.29) dia. • 13/16 (20.64) from end

## 6015

### Post Base for 1<sup>5</sup>/<sub>8</sub> Strut

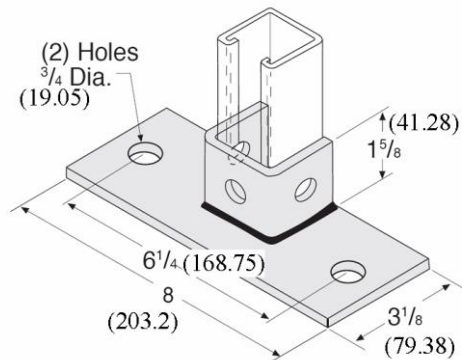


Fig. Number	Std. Package	Wt. Each	
		lbs.	kg
6015	10	2.30	(1.04)

Available in stainless steel. To order, specify 304 or 316 and add suffix SS to fig. number. Price on request.

**MATERIAL:** 1/4 (6.35)

**FINISH:** Electro-galvanized

**ORDERING:** Specify figure number.

**HOLE DIM:** 9/16 (14.29) dia. • 13/16 (20.64) from end

## 6020

### Post Base for 1<sup>5</sup>/<sub>8</sub> Strut

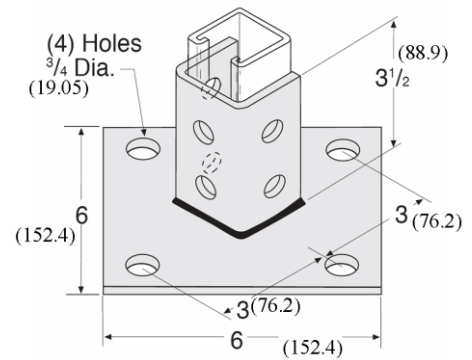


Fig. Number	Std. Package	Wt. Each	
		lbs.	kg
6020	10	3.92	(1.78)

Available in stainless steel. To order, specify 304 or 316 and add suffix SS to fig. number. Price on request.

**MATERIAL:** 1/4 (6.35)

**FINISH:** Electro-galvanized

**ORDERING:** Specify figure number.

**HOLE DIM:** 9/16 (14.29) dia. • 13/16 (20.64) from end • 17/8 (47.63) on centers

Unless otherwise specified, all dimensions on drawings and in charts are in inches and dimensions shown in parentheses are in millimeters.

# POST BASES



## 6025

### Post Base for 1<sup>5</sup>/<sub>8</sub> Strut

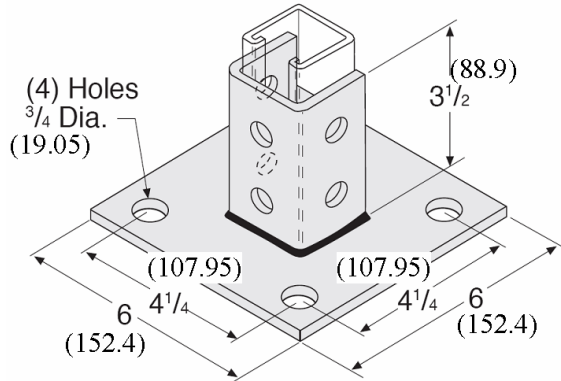


Fig. Number	Std. Package	Wt. Each	
		lbs.	kg
6025	10	3.92	(1.78)

Available in stainless steel. To order, specify 304 or 316 and add suffix SS to fig. number. Price on request.

MATERIAL: 1/4 (6.35)

FINISH: Electro-galvanized

ORDERING: Specify figure number.

HOLE DIM: 9/16 (14.29) dia. • 13/16 (20.64) from end • 17/8 (47.63) on centers

## 6029

### Post Base for 1<sup>5</sup>/<sub>8</sub> Strut

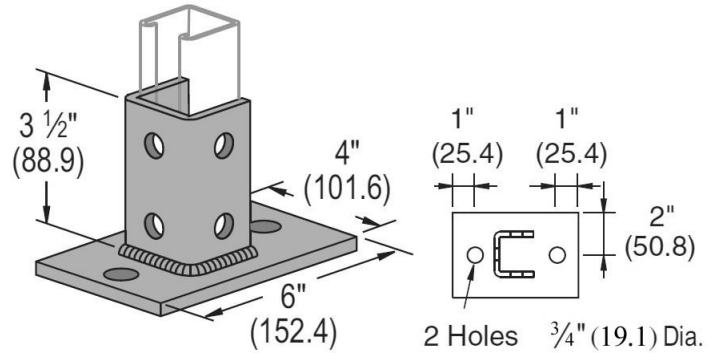


Fig. Number	Std. Package	Wt. Each	
		lbs.	kg
6029	10	3.58	(1.62)

Available in stainless steel. To order, specify 304 or 316 and add suffix SS to fig. number. Price on request.

MATERIAL: 1/4 (6.35)

FINISH: Electro-galvanized

ORDERING: Specify figure number.

HOLE DIM: 9/16 (14.29) dia. • 13/16 (20.64) from end • 17/8 (47.63) on centers

## 6030

### Post Base for 1<sup>5</sup>/<sub>8</sub> Strut

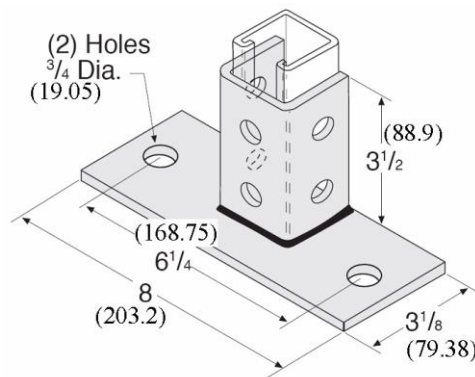


Fig. Number	Std. Package	Wt. Each	
		lbs.	kg
6030	10	3.12	(1.42)

Available in stainless steel. To order, specify 304 or 316 and add suffix SS to fig. number. Price on request.

MATERIAL: 1/4 (6.35)

FINISH: Electro-galvanized

ORDERING: Specify figure number.

HOLE DIM: 9/16 (14.29) dia. • 13/16 (20.64) from end • 17/8 (47.63) on centers

Unless otherwise specified, all dimensions on drawings and in charts are in inches and dimensions shown in parentheses are in millimeters.