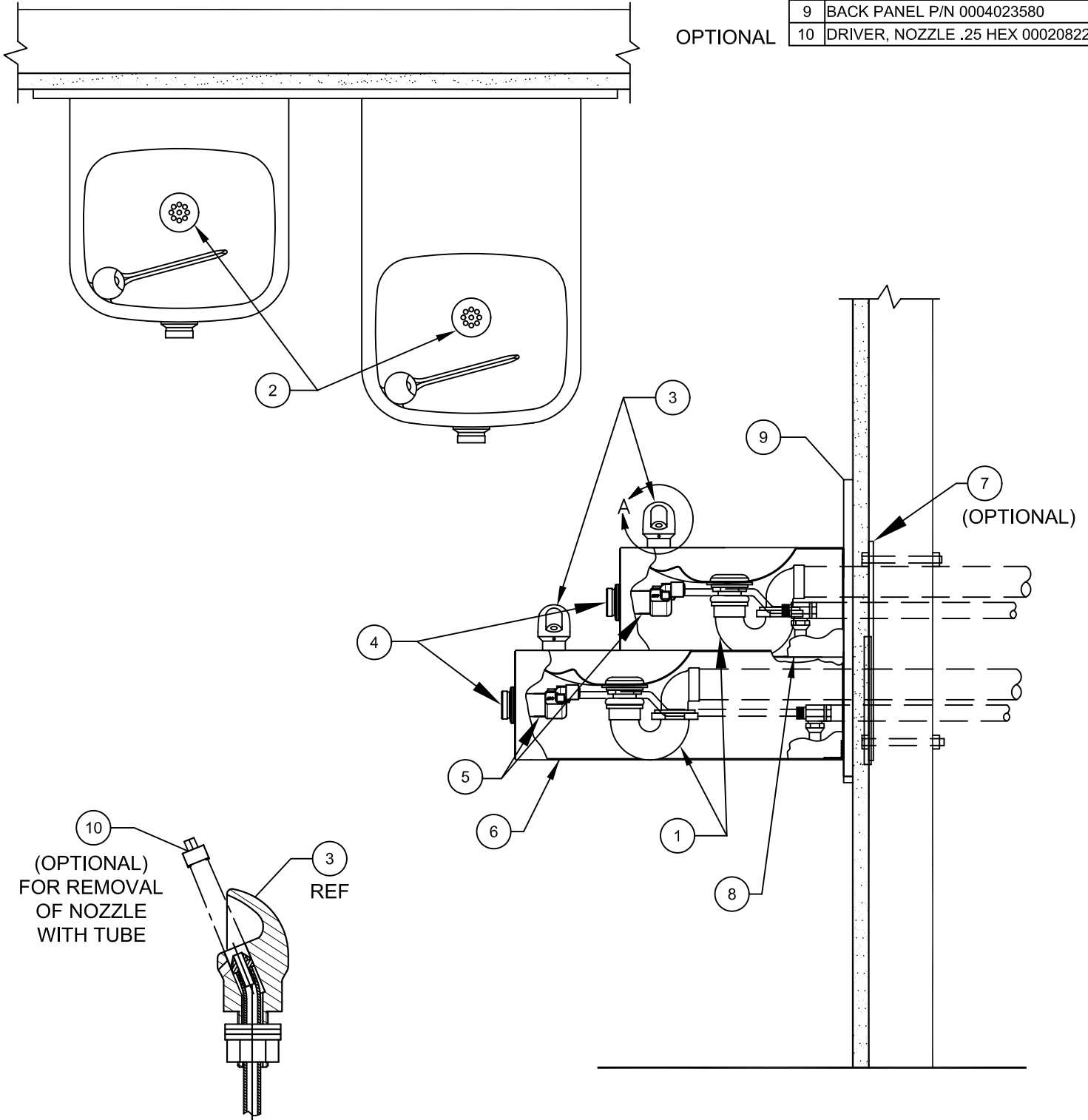


ITEM	DESCRIPTION
1	TRAP 0005982900
2	STRAINER ASSY 6462
3	BUBBLER HEAD 5703M
4	PUSH BTN ASS'Y PBA6
5	VALVE 5874SS
6	BOTTOM PLATE PBM1109
7	MOUNTING PLATE 6700.4
8	BOTTOM PLATE PBM1105
9	BACK PANEL P/N 0004023580
10	DRIVER, NOZZLE .25 HEX 0002082253

PARTS BREAKDOWN

OPTIONAL

OPTIONAL




(OPTIONAL)
FOR REMOVAL
OF NOZZLE
WITH TUBE

REF

DETAIL A
ROTATED 90° CW

WHEN ORDERING PARTS PLEASE SPECIFY MODEL NUMBER.

		1455 KLEPPE LANE SPARKS, NEVADA 89431 (775) 359-4712 FAX (755) 359-7424 E-MAIL: HAWS@HAWS.CO.COM WEBSITE: WWW.HAWS.CO.COM	
		ECN NO. REVISED PER BY ECN: 4603 HM	MODEL(S) 1119.14
DRAWN F. VASQUEZ	DATE 06/05/98	CHKD DATE	DRAWING NO. 13380C00
APPROVED	DATE	SCALE: 1:1	DRAWING TYPE: PARTS BREAKDOWN SIZE: A SHEET 1 OF 1