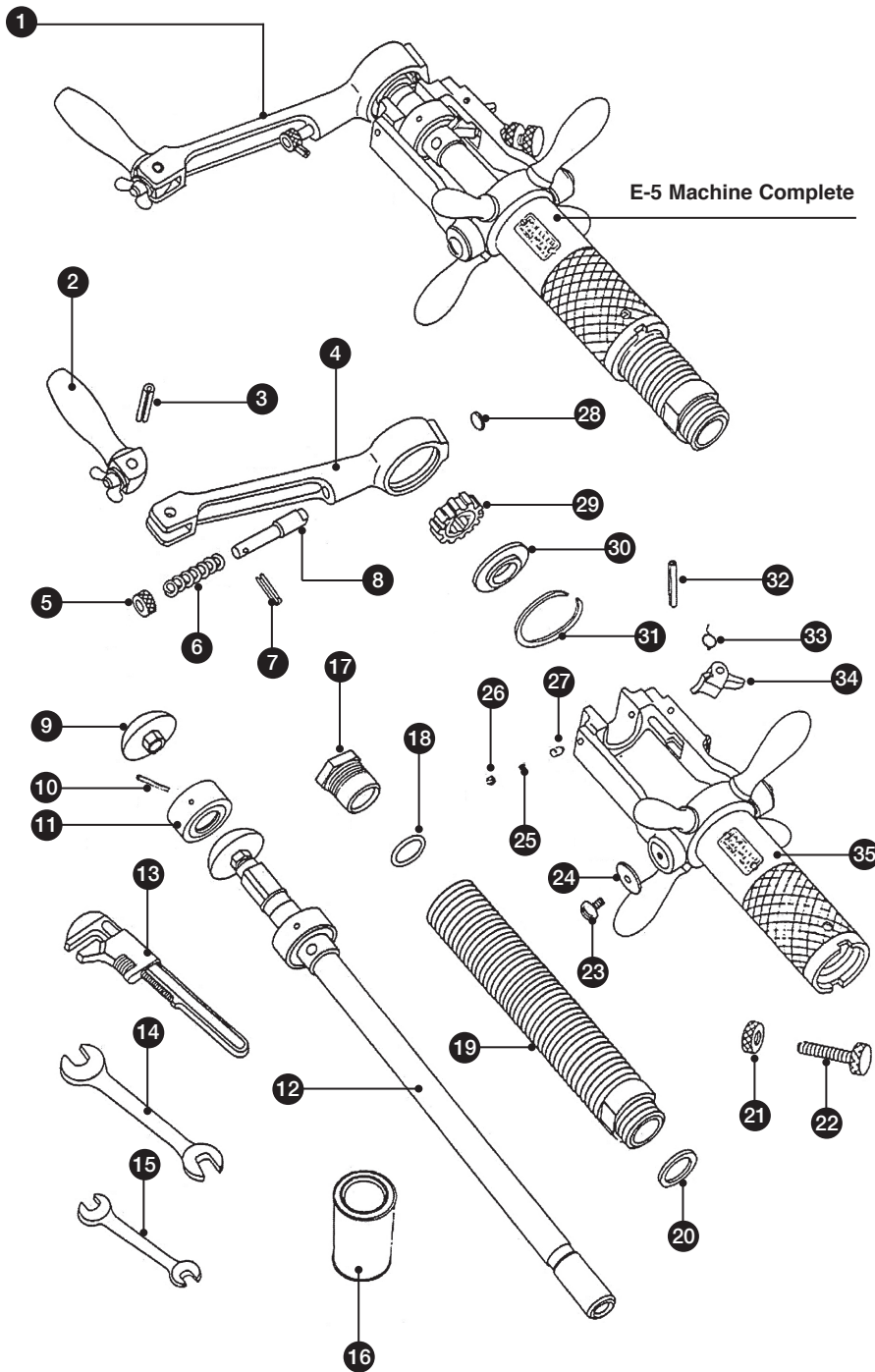


# MUELLER® D-5™ and E-5™ Drilling Machines

## E-5 Parts



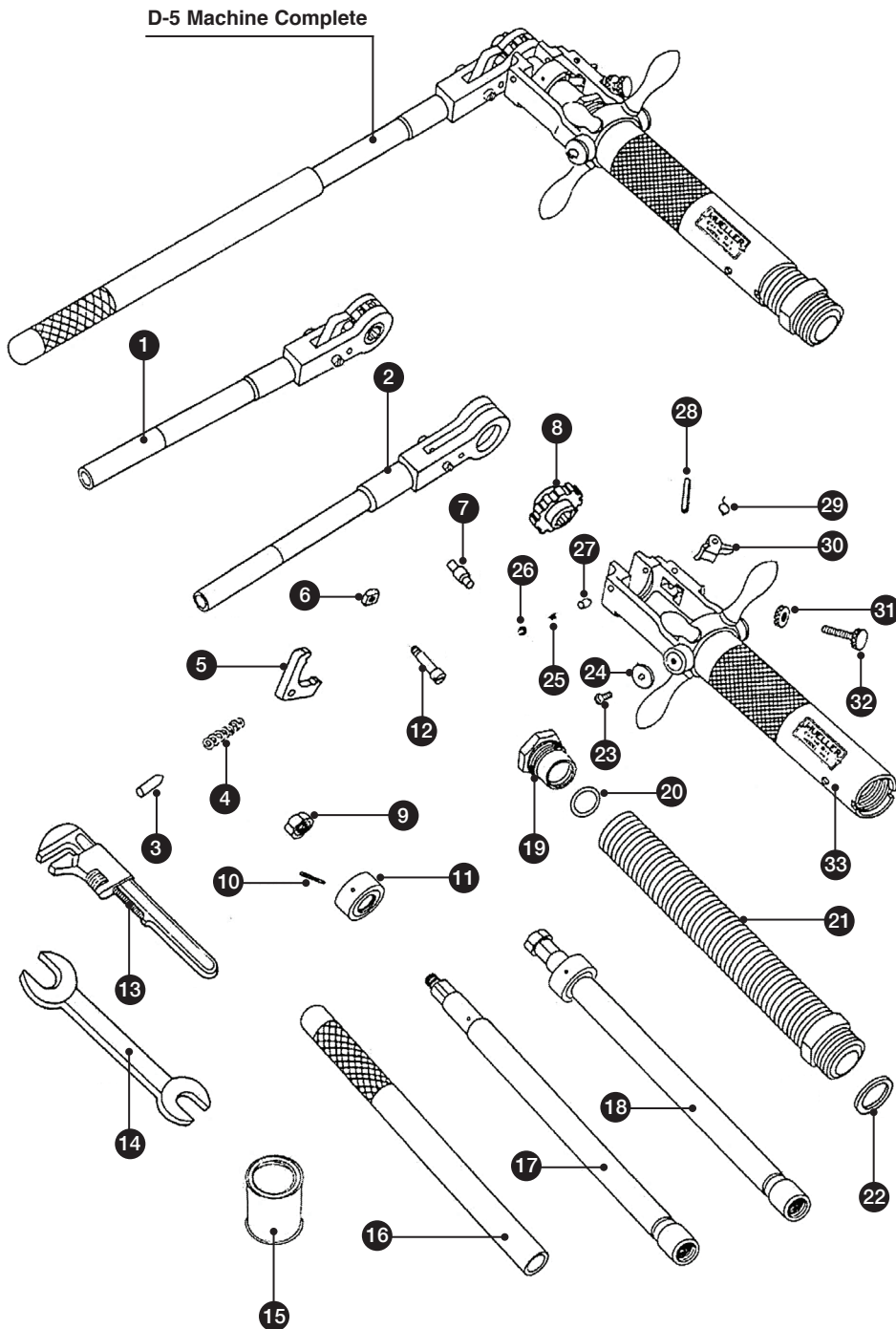
## PARTS LIST

ID	PART NAME	PART No.
1	Ratchet Handle Complete	580897
2	Crank Handle	50085
3	Handle Pin	500635
4	Handle	51484
5	Detent Knob	37863
6	Spring	37883
7	Operating Pin	500803
8	Ratchet Dog	51426
9	Knob	83431
10	Friction Collar Pin	48130
11	Friction Collar	580610
12	Boring Bar	580999
13	Adjustable Wrench	91664
14	End Wrench	96536
15	End Wrench	59767
16	Cutting Grease	88366
17	Packing Gland	51432
18	O-Ring Packing	46726
19	Body	503159
20	Body Gasket	47756
21	Lock Nut	502029
22	Operating Screw	502028
23	Retaining Screw (2)	79745
24	Washer (2)	50133
25	Detent Spring (2)	59810
26	Detent Screw (2)	305006
27	Detent Pin (2)	500651
28	Plug	51427
29	Ratchet Wheel	503162
30	Wheel Bushing	503163
31	Retaining Ring	51428
32	Pivot Arm Pin	502027
33	Pivot Arm Spring	502026
34	Pivot Arm	502025
35	Feed Tube & Yoke Complete	580895
36	Metal Case (not shown)	580971

# MUELLER® D-5™ and E-5™ Drilling Machines

## D-5 Parts

### PARTS LIST



ID	PART NAME	PART No.
1	Ratchet Handle	85308
2	Handle Bar	50111
3	Spring Pin	40006
4	Spring	40007
5	Ratchet Dog	40004
6	Nut	45255
7	Stud	40139
8	Ratchet Wheel	40737
9	Retaining Nut	46029
10	Friction Collar Roll Pin	48130
11	Friction Collar	580610
12	Bolt	40138
13	Adjustable Wrench	91664
14	End Wrench	58196
15	Cutting Grease	88366
16	Handle Extension	86391
17	Boring Bar	503141
18	Boring Bar	580945
19	Packing Gland	51377
20	O-Ring	51458
21	Body	36758
22	Body Gasket	33278
23	Retaining Screw (2)	79745
24	Washer (2)	50133
25	Detent Spring (2)	59810
26	Detent Screw (2)	305006
27	Detent (2)	500651
28	Roll Pin	502027
29	Pivot Arm Spring	502026
30	Pivot Arm	502025
31	Lock Nut	502029
32	Operating Screw	502028
33	Feed Tube & Yoke Complete	580946
34	Metal Case (not shown)	580969