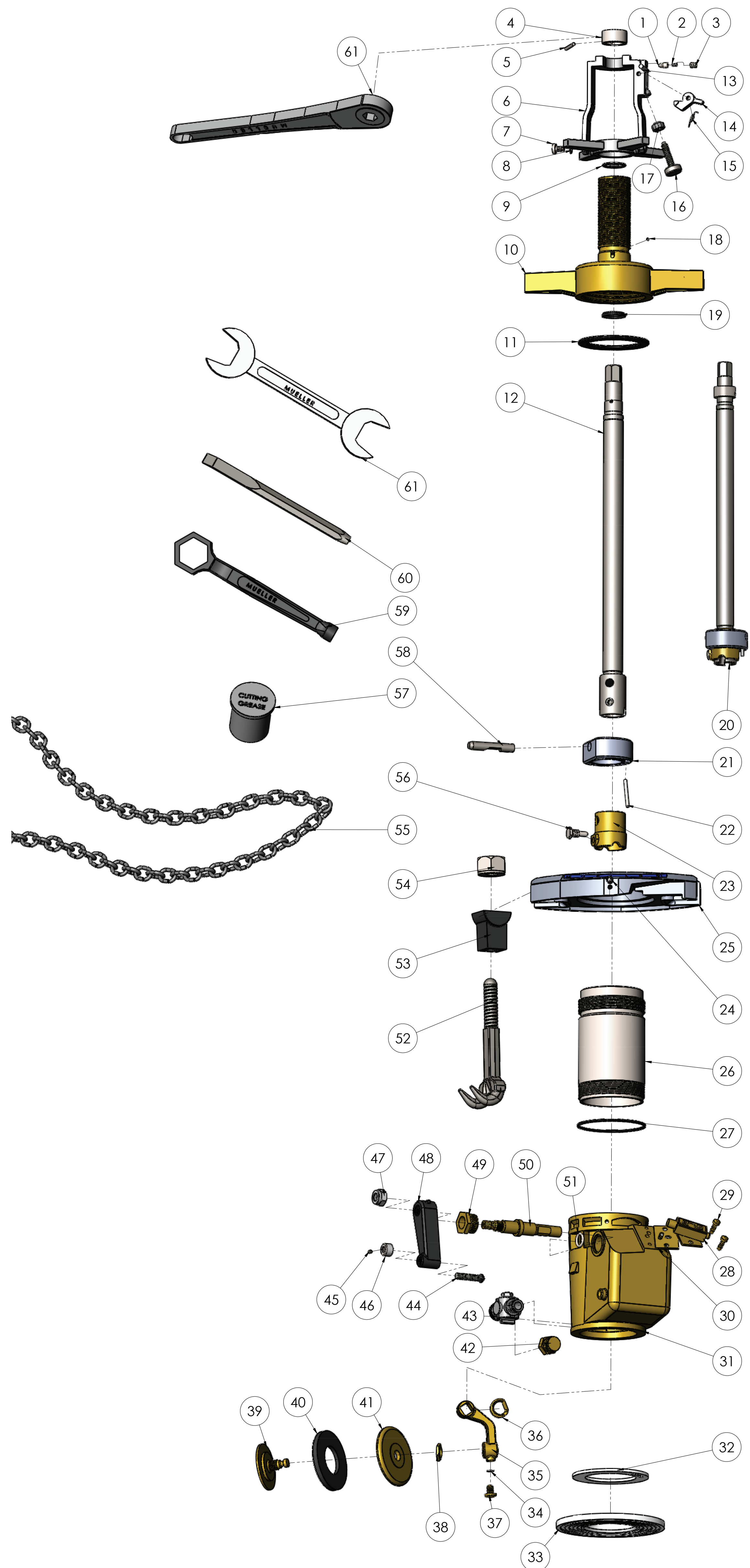


MUELLER® B-101™

Drilling & Tapping Machine Parts List

Item Number	Part Number	Part Name
1	500851	Detent pin (qty.-2)
2	59810	Spring (qty.-2)
3	305006	Screw (qty.-2)
4	580610	Friction collar
5	48130	Retaining pin
6	580611	Feed nut & Yoke complete
7	312443	Yoke retaining screw (qty.-2)
8	537126	Washer (qty.-2)
9	79269	Boring bar O-ring (qty.-2)
10	500685	Feed sleeve & cap
11	500687	Cap packing
12	502022	Boring bar
13	502027	Rollpin
14	502025	Pivot arm
15	502026	Pivot arm spring
16	502028	Operating screw
17	502029	Lock nut
18	41435	Oil plug
19	500887	Wiper ring
20	580609	Boring bar complete
21	500692	Bearing
22	48130	Retaining pin
23	500691	Bearing sleeve
24	97795	Chain yoke retaining screw
25	500683	Chain yoke
26	500682	Cylinder
27	500670	Valve body O-ring
28	682053	By-pass valve unit
29	501373	By-pass valve screw (qty.-2)
30	311812	By-pass valve gasket
31	502046	Valve body
32	40066	Small saddle gasket
33	40067	Large saddle gasket
34	52165	Lock washer
35	500672	Valve gate arm
36	72627	Spring
37	500675	Lock screw
38	500676	Lock nut
39	500674	Valve washer & stem
40	500673	Gate washer
41	500671	Valve gate
42	50369	Pipe plug
43	581646	Blow off valve unit
44	501061	Handle screw
45	302575	Lock screw
46	46280	Handle knob
47	500669	Handle nut
48	500668	Lever handle
49	500667	Valve stem retaining nut
50	500666	Valve stem
51	41301	Valve stem O-ring
52	500709	Chain hook (qty.-2)
53	500707	Chain hook washer (qty.-2)
54	500706	Chain hook nut (qty.-2)
55	500780	Chain
56	500694	Tool retaining screw
57	88366	Cutting grease
58	500693	Knock out pin
59	500708	Chain hook wrench
60	40050	Body cleaning chisel
61	501579	Inserting tool wrench
62	528273	Ratchet handle complete
-	682078	By-pass valve key repair kit
-	306991	By-pass valve spare retaining ring
-	682087	By-pass valve repair kit



Mueller Co., LLC
1200 Abernathy Rd NE #1200,
Atlanta, GA 30328
www.muellercompany.com

Toll Free: 1.800.423.1323
Canada: 1.705.719.9965
moreinfo@muellercompany.com



Copyright © 2018 Mueller Water Products, Inc. All Rights Reserved. The trademarks, logos and service marks displayed in this document here win are the property of Mueller Water Products, Inc., its affiliates or other third parties.

Form 12359 - Rev 5/19