

Slant/Fin Multi/Pak 80

Heavy duty, high output baseboard radiation for hot water or steam heating systems.



- Made with rust resistant galvanized steel
- 18 gauge front cover resists damage
- High capacity output
- Durable and economical
- Easy to install
- Ideal for light commercial buildings, apartments, and residential applications
- Best industry value

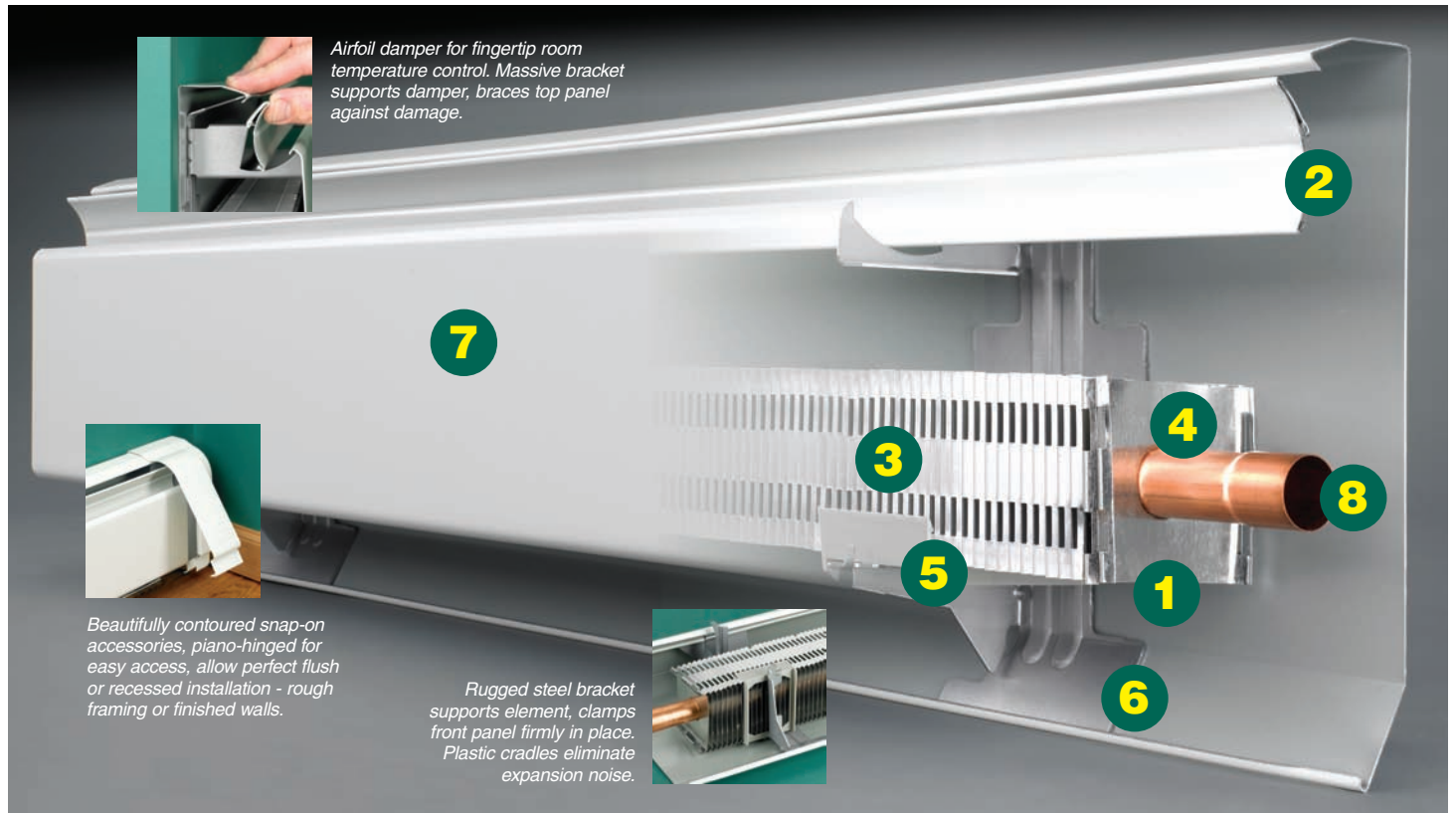
Element options include 3/4 inch, 1 inch and 1-1/4 inch copper tube as well as 1-1/4 inch steel pipe. Multi/Pak 80 fits into hot water applications with higher flow rates and longer loop lengths. It is also ideal for steam heating applications.

MADE WITH
COMMERCIAL GRADE,
RUST-RESISTANT
GALVANIZED STEEL!

*Ideal for commercial
and industrial
buildings, apartment
housing and
custom homes.*

Multi/Pak 80 features high output, low profile, heavy duty, rust resistant galvanized steel construction!

Multi/Pak 80 is engineered for maximum strength throughout. Dent-proof 18 gauge front panels. Massive steel brackets. Extra strength tubing with full mill-rated bursting strength. Fin assembly assures positive bond between fin and tube. Elements so strong you can stand on them.



1. INTERCHANGEABLE HEATING ELEMENTS

$\frac{3}{4}$ " "regular" or high-output with jumbo fins, 1" and 1 $\frac{1}{4}$ " copper/aluminum elements allow you to select output and capacity to suit every requirement—permit higher velocities, lower pump loads, longer series-loop runs. 1 $\frac{1}{4}$ " IPS steel element is perfect for one-pipe and two-pipe steam systems.

2. AIRFOIL DAMPER modulates fully for fingertip control of room temperature, makes system-balancing easy. Damper deflects air away from walls, eliminates streakage...flips shut to help keep dust and dirt off the elements during summer. Concealed pivot points can't be clogged by careless painters.

3. DOUBLE-BENT ALUMINUM FINs on H-3 and H-4 elements are locked together at edges, to deaden pings and clicking noises. Each fin supports the next, for extra resistance to damage. Sharp corners are buried, for greater handling safety.

4. FINs WON'T LOOSEN, are bonded to each other and to the tubing. Tight bond assures maximum heat transfer efficiency. End fins are of aluminized steel for extra ruggedness.

5. EXPANSION NOISES BANISHED Patented self-adjusting expansion cradles of velvet-smooth plastic are clipped to fins of elements and positioned over support brackets. This eliminates noisy metal-to-metal contact with bracket and enclosure. Ridges on both sides of cradle bottom prevent cradle from slipping off bracket, thereby assuring permanent silent performance. Element is positively locked on the enclosure by bending tabs.

6. EXTRA BACKBONE New, improved high-strength brackets are "beefed up" for extra rigidity where needed...won't break or bend, can't pop out of place—yet are easily removed or replaced if necessary. Brackets reinforce top panel. Support copper or steel elements.

7. DENT-PROOF, KICK-PROOF FRONT PANEL of extra-heavy 18 gauge steel resists damage during and after installation—assures permanent good looks.

8. TUBE ENDS READY FOR JOINING Tubing end is swaged to eliminate couplings, cuts soldering work in half. Steel elements are factory-threaded at both ends.

Specifications: Choose from 5 elements. Each fits into universal heavy duty Multi/Pak 80 enclosure.



81-A BASEBOARD (H-1 ELEMENT IN 80D ENCLOSURE)
(Heating element and enclosure purchased separately.)

WATER FLOW	PRESSURE DROP*	150°F	160°F	170°F	180°F	190°F	200°F	210°F	215°F	220°F
		1 GPM	47	520	610	700	790	880	970	1060
4 GPM	525	550	640	740	840	930	1030	1120	1160	1200

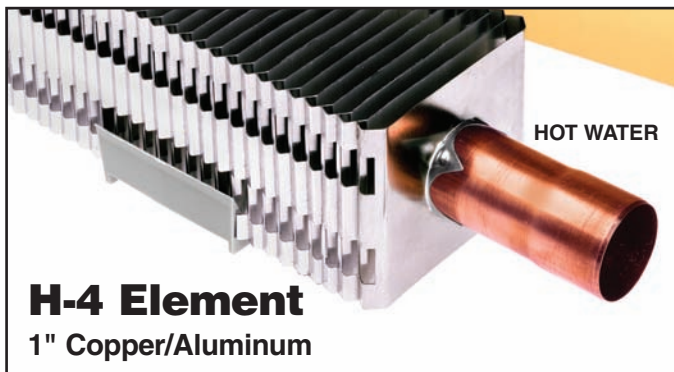
ELEMENT SPECIFICATIONS: Furnish and install H-1 baseboard heating element as manufactured by Slant/Fin Corporation, consisting of 3/4" nominal copper tubing with 3" x 3/4" x .024" aluminum fins, spaced 48 per linear foot. The fins shall be evenly spaced and mechanically bonded to the tubing to lock the fins securely in place and maximize heat transfer. One end of each element tube shall be expanded to receive the unexpanded end of another, without couplings.



83-A2 BASEBOARD (H-3 ELEMENT IN 80D ENCLOSURE)
(Heating element and enclosure purchased separately.)

WATER FLOW	PRESSURE DROP*	150°F	160°F	170°F	180°F	190°F	200°F	210°F	215°F	220°F
		1 GPM	47	490	570	650	730	810	890	970
4 GPM	525	520	600	690	770	860	940	1030	1070	1110

ELEMENT SPECIFICATIONS: Furnish and install H-3 baseboard heating element as manufactured by Slant/Fin Corporation, consisting of 3/4" nominal copper tubing with 3 3/2" x 2 1/2" x .011" aluminum fins, bent to 2 3/4" x 2 1/2", spaced 55 per linear foot. The fins shall be evenly spaced and mechanically bonded to the tubing to lock the fins securely in place and maximize heat transfer. One end of each element tube shall be expanded to receive the unexpanded end of another, without couplings.



84-A3 BASEBOARD (H-4 ELEMENT IN 80D ENCLOSURE)
(Heating element and enclosure purchased separately.)

WATER FLOW	PRESSURE DROP*	150°F	160°F	170°F	180°F	190°F	200°F	210°F	215°F	220°F
		1 GPM	13	440	520	590	660	730	810	880
4 GPM	145	470	550	620	700	770	860	930	970	1000

ELEMENT SPECIFICATIONS: Furnish and install H-4 baseboard heating element as manufactured by Slant/Fin Corporation, consisting of 1" nominal copper tubing with 3 1/2" x 2 1/2" x .011" aluminum fins, bent to 3" x 2 1/2", spaced 48 per linear foot. The fins shall be evenly spaced and mechanically bonded to the tubing to lock the fins securely in place and maximize heat transfer. One end of each element tube shall be expanded to receive the unexpanded end of another, without couplings.



85-AX BASEBOARD (H-5X ELEMENT IN 80D ENCLOSURE)
(Heating element and enclosure purchased separately.)

WATER FLOW	PRESSURE DROP*	150°F	160°F	170°F	180°F	190°F	200°F	210°F	215°F	220°F
		1 GPM	6	470	560	650	740	830	920	1010
4 GPM	63	500	590	690	780	880	970	1070	1120	1160

STEAM RATING: 1130 Btu/hr/ft (4.7 sq. ft. EDR)

ELEMENT SPECIFICATIONS: Furnish and install H-5X baseboard heating element as manufactured by Slant/Fin Corporation, consisting of 1 1/2" nominal copper tubing with 3" x 3/4" x .020" aluminum fins, spaced 48 per linear foot. The fins shall be evenly spaced and mechanically bonded to the tubing to lock the fins securely in place and maximize heat transfer. One end of each element tube shall be expanded to receive the unexpanded end of another, without couplings.



86-AX BASEBOARD (H-6X ELEMENT IN 80D ENCLOSURE)
(Heating element and enclosure purchased separately.)

WATER FLOW	PRESSURE DROP*	150°F	160°F	170°F	180°F	190°F	200°F	210°F	215°F	220°F
		1 GPM	3	380	450	520	590	660	730	800
4 GPM	41	400	480	550	620	700	770	850	880	920

SLANT/FIN STEAM RATING: 980 Btu/hr/ft (4.10 sq. ft. EDR)

ELEMENT SPECIFICATIONS: Furnish and install H-6X baseboard heating element as manufactured by Slant/Fin Corporation, consisting of 1 1/4" IPS steel pipe (Schedule 40), with 3" x 3/4" x .028 aluminized steel fins, spaced 48 per linear foot. The fins shall be evenly spaced and mechanically bonded to the tubing to lock the fins securely in place and maximize heat transfer. Both ends of each element pipe shall be threaded with IPS standard threads.

I=B=R Approved Hot Water Ratings

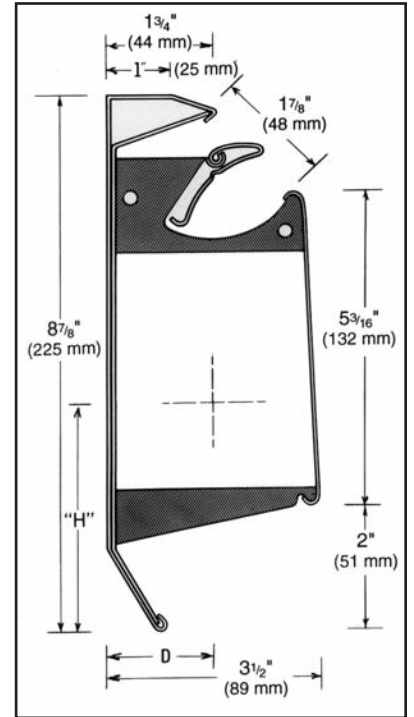
NOTE: Ratings are for element installed in Multi/Pak 80 baseboard enclosure as shown in drawing, with damper open. Ratings are based on active finned length [3 in. less than overall length] and include 15% heating effect factor. Use 4 gpm ratings only when flow is known to be equal to or greater than 4 gpm, otherwise, 1 gpm ratings must be used.

Cover Assembly

Universal enclosure for use with any H-Series heating element

COVER ASSEMBLY SPECIFICATIONS:

Furnish and install Multi/Pak 80 baseboard cover assembly as manufactured by Slant/Fin Corporation, consisting of one-piece 22-gauge bottom galvanized steel, back and top panel, and one-piece 18-gauge galvanized steel front panel, formed of cold rolled steel. Bottom and top edges of back panel shall be formed to provide channels along entire length, to receive full-height support brackets. Brackets shall be die-formed of electro galvanized, 16-gauge quarter-hard cold rolled steel, for rigid bracing and spring locking. Bracket spacing within cover assembly shall not exceed 2 feet. Slide-action expansion cradles, formed of polypropylene, shall be inserted between heating element and support bracket. Cradles shall protect element bottom and sides from contact with brackets or cover, confining element to free lateral expansion for noiseless operation. Room-control damper vane, of quarter-hard cold rolled steel, shall be provided for each length of enclosure, and shall modulate fully and freely, yet retain any setting through its arc. Support bracket shall be formed to retain and support damper vane. All cover components shall be painted in Nu-White oven baked melamine cross-linked polyester enamel.

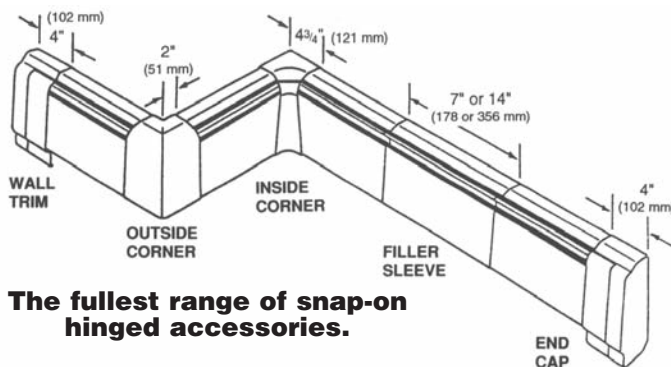


Brackets Per Length (Complete assembly and enclosure only)

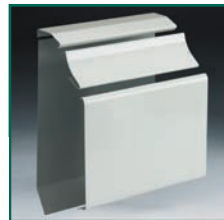
Length, ft.	2 - 3-1/2	4 - 5	8 - 9	10	12 - 14
Brackets	2	2	4	6	8

Element	"H"	"D"
H-1	3 ¹⁵ / ₁₆ "	1 ³ / ₄ "
H-3	3 ¹ / ₂ "	1 ⁵ / ₈ "
H-4	3 ¹ / ₂ "	1 ³ / ₄ "
H-5X	3 ¹³ / ₁₆ "	1 ³ / ₄ "
H-6X	3 ²⁹ / ₃₂ "	1 ³ / ₄ "

Extendable snap-on accessories



The fullest range of snap-on hinged accessories.



FILLER SLEEVE
fills gaps up to 12"



HINGED END CAP
allows 3" adjustment



HINGED WALL TRIM
allows 3" adjustment



HINGED VALVE COVER
allows up to 7" adjustment



HINGED INSIDE CORNER
90° or 135°



OUTSIDE CORNER