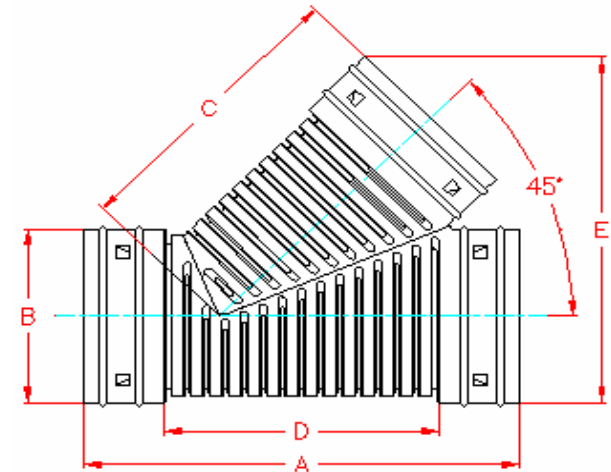


SINGLE WALL WYE

PART #	PIPE SIZE	A	B	C	D	E
0322AA	3 in (75 mm)	10.5 in (267 mm)	4.0 in (102 mm)	7.0 in (178 mm)	6.4 in (162 mm)	8.4 in (213 mm)
0422AA	4 in (100 mm)	11.6 in (295 mm)	5.1 in (130 mm)	7.6 in (194 mm)	7.3 in (184 mm)	9.8 in (248 mm)
0522AA	5 in (125 mm)	13.6 in (346 mm)	6.3 in (159 mm)	9.3 in (235 mm)	8.8 in (222 mm)	11.9 in (302 mm)
0622AA	6 in (150 mm)	16.0 in (406 mm)	7.4 in (187 mm)	11.1 in (283 mm)	11.4 in (289 mm)	14.1 in (359 mm)
0822AA	8 in (200 mm)	19.3 in (489 mm)	10.0 in (254 mm)	13.5 in (343 mm)	14.9 in (378 mm)	18.8 in (476 mm)



NOTE: ALL DIMENSIONS ARE NOMINAL



DRAWING #:	1020	
DRAWN BY:	CRM	09.11.06
APPROVED BY:	JCB	06.25.07
REVISIONS:	NJP	06.12.07