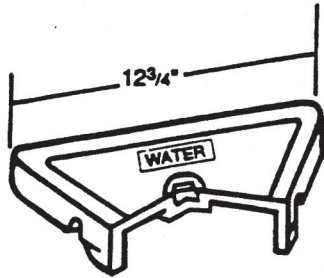
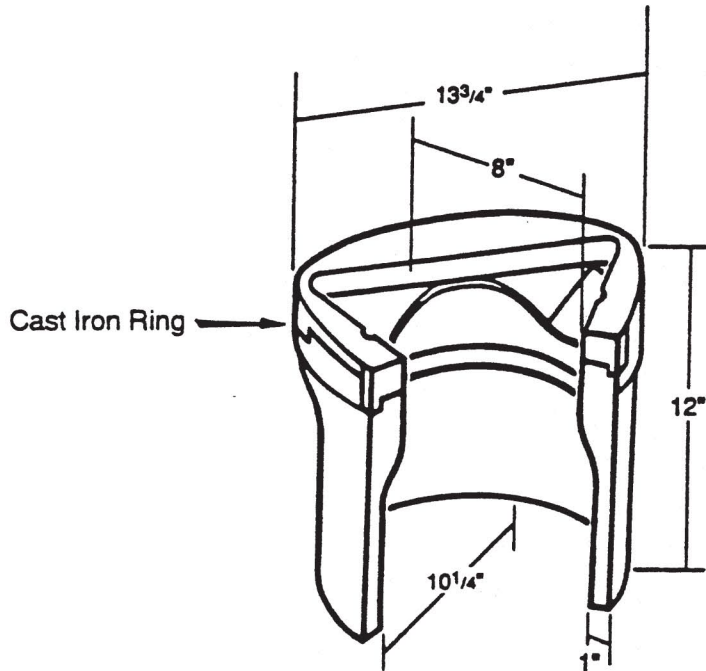


714 South Fee Ana St., Placentia, CA 92870
 (714) 993-1706 • FAX (714) 993-6197

4TT Valve Box Series 10¹/₄" I.D.



W4TVC
Cast Iron Cover
17 lbs.



W4TVB
Valve Box
70 lbs.

STANDARD VALVE BOX MARKINGS:

- IRWD
- YLWD
- BLANK

SPECIAL MARKINGS ON REQUEST

STANDARD COVER MARKINGS:

- Reclaimed Water
- Sewer
- Water

SPECIAL MARKINGS ON REQUEST