



4700 W. 160th St.
Cleveland, Ohio 44135
Ph: (800) 321-9532
Fax: (800) 321-9535
www.oatey.com

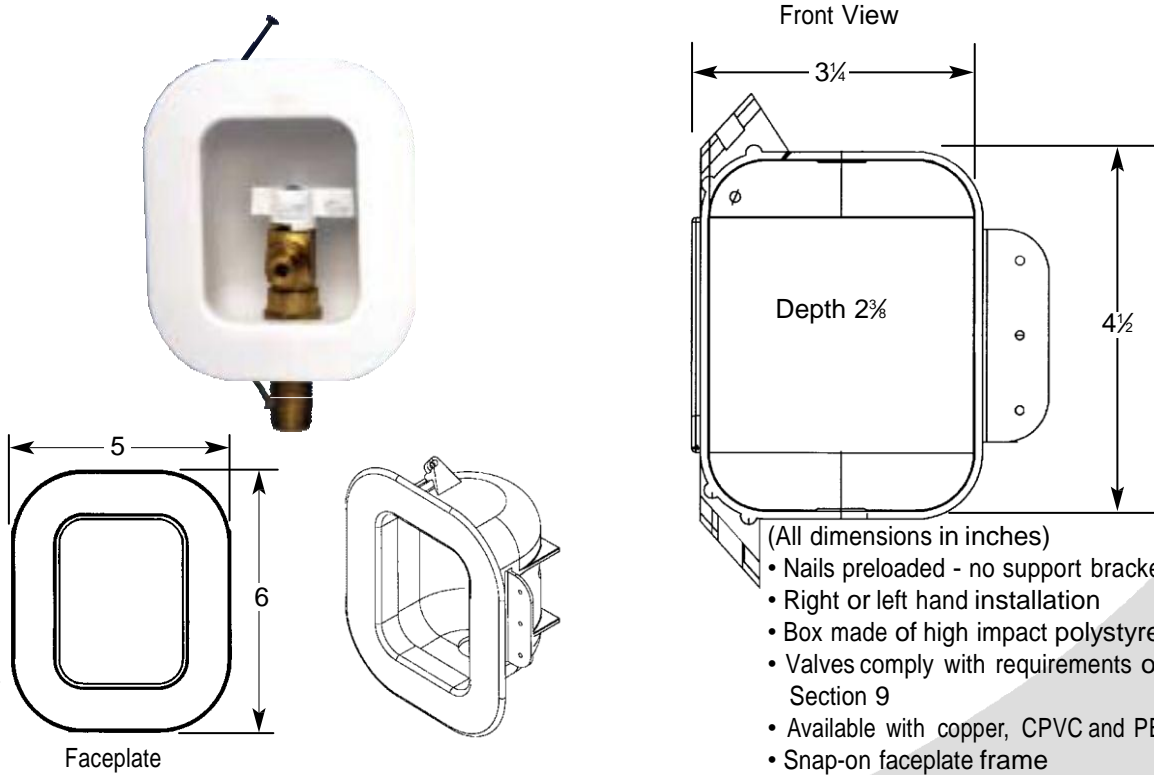
I2K® Ice Maker Box with Nails



SUBMITTAL SPECIFICATION

Engineering Specification: Oatey Ice Maker boxes can be used in commercial or residential applications which require supply valves recessed into the wall.

Job Reference



| ✓ | Prod. No | Description |
|---|----------|--------------------------------------------------------------------------|
| | 38573 | 1/4 Turn Brass Hammer Ball Valve - F2080 PEX |
| | 38580 | 1/4 Turn Brass Hammer Ball Valve - Copper Sweat |
| | 38581 | 1/4 Turn Brass Hammer Ball Valve - Copper Sweat - Display Box |
| | 38582 | 1/4 Turn Brass Hammer Ball Valve - CPVC |
| | 38583 | 1/4 Turn Brass Ball Valve - ASTM F1807 PEX |
| | 38584 | 1/4 Turn Brass Hammer Ball Valve - ASTM F1960 PEX |
| | 38586 | 1/4 Turn Brass Ball Valve - Copper Sweat |
| | 38587 | 1/4 Turn Brass Ball Valve - Copper Sweat - Display Box |
| | 38596 | 1/4 Turn Brass Ball Valve- F2080 PEX - Standard Pack |
| | 38597 | 1/4 Turn Brass Ball Valve - 3/8" PEX |
| | 38606 | 1/4 Turn Brass Ball Valve - ASTM F1960 PEX - Contractor Pack (12 per) |
| | 38609 | 1/4 Turn Brass Ball Valve - ASTM F1974 PEX - Contractor Pack (12 per) |
| | 38610 | 1/4 Turn Brass Ball Valve - CPVC - Standard Pack (6 per) |
| | 38611 | 1/4 Turn Brass Ball Valve - Copper Sweat - Standard Pack (6 per) |
| | 38612 | 1/4 Turn Brass Ball Valve - Copper Sweat - Contractor Pack (12 per) |
| | 38613 | 1/4 Turn Brass Ball Valve - PEX - Standard Pack (6 per) |
| | 38614 | 1/4 Turn Brass Ball Valve - CPVC - Contractor Pack (12 per) |
| | 38615 | 1/4 Turn Brass Ball Valve - ASTM F1807 PEX - Contractor Pack (12 per) |
| | 38617 | North American Boiler Drain Valve - Copper Sweat - Standard Pack (6 per) |
| | 38618 | 1/4 Turn Brass Ball Valve - Copper Sweat - Tract Pack (6 per) |
| | 39125 | 1/4 Turn Brass Hammer Ball Valve Low Lead-Copper Sweat- Standard Pack |
| | 38597 | 1/4 Turn Brass Ball Valve - 3/8" PEX-Standard Pack (6 Per) |
| | 38596 | 1/4 Turn Brass Ball Valve - F2080 PEX - Standard Pack (6 Per) |

Valves meet ASME A112.18.1



Data is subject to manufacturing tolerances.

Visit www.oatey.com for updates.

| | |
|-------|------------------------------------------------------------------------|
| 39133 | ¼ Turn Brass Ball Valve Low Lead- CPVC Standard Pack (6 Per) |
| 39134 | ¼ Turn Brass Ball Valve Low Lead – Copper Sweat- Standard Pack (6 Per) |
| 39135 | I2K, ¼ Turn, Copper, Low Lead – Contractor Pack |
| 39130 | I2K, ¼ Turn, Copper, Low Lead – Display Pack |
| 39137 | I2K, ¼ Turn, CPVC, Low Lead – Contractor Pack |
| 39136 | I2K, ¼ Turn, F1807, Low Lead – Standard Pack |
| 39138 | I2K, ¼ Turn, F1807, Low Lead – Contractor Pack |
| 39132 | I2K, ¼ Turn, F1960, Low Lead – Contractor Pack |
| 39139 | I2K, Boiler Drain, Copper, Low Lead, NAFTA – Standard Pack |
| 39125 | I2K, ¼ Turn, Copper, Hammer, Low Lead – Standard Pack |
| 39126 | I2K, ¼ Turn, CPVC, Hammer, Low Lead – Standard Pack |
| 39127 | I2K, ¼ Turn, F1807, Hammer, Low Lead – Standard Pack |
| 39128 | I2K, ¼ Turn, F1960, Hammer, Low Lead – Standard Pack |

| | |
|----------------------|-----------------------------------------------|
| ✓ Accessories | |
| 38622 | Plastic Faceplate, 1" deep, for I2K and S2K |
| 38621 | Plastic Faceplate, 1/2" deep, for I2K and S2K |
| 38619 | Plain Box- Standard Pack (6 Per) |