



EXISTING DRAIN REMOVAL INSTRUCTIONS

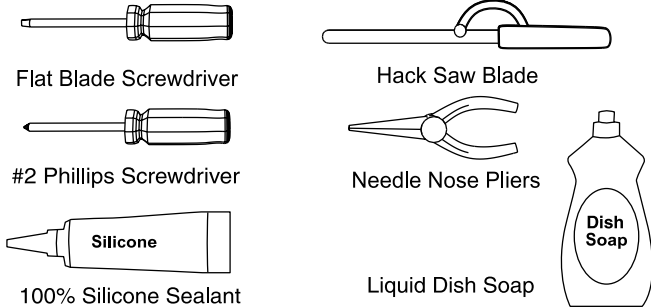
Watch Step-by-Step Instruction Video Online at www.wingtite.com/qr

SCAN ME

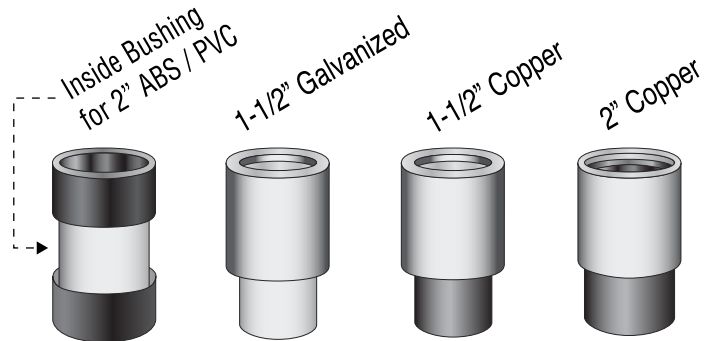
Instant Video How It Works



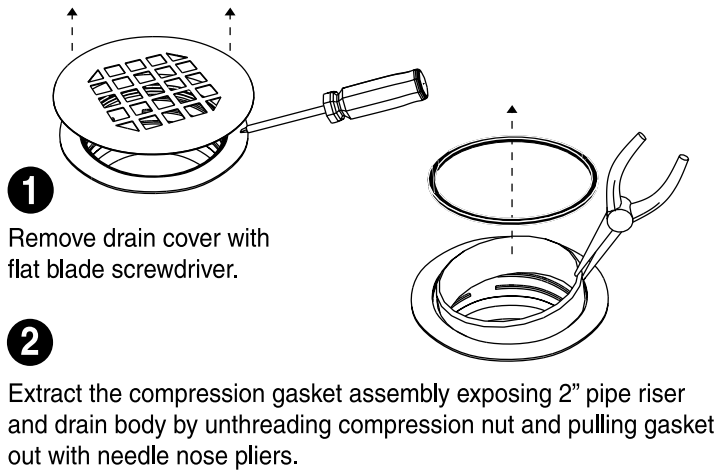
Recommended Tools and Materials



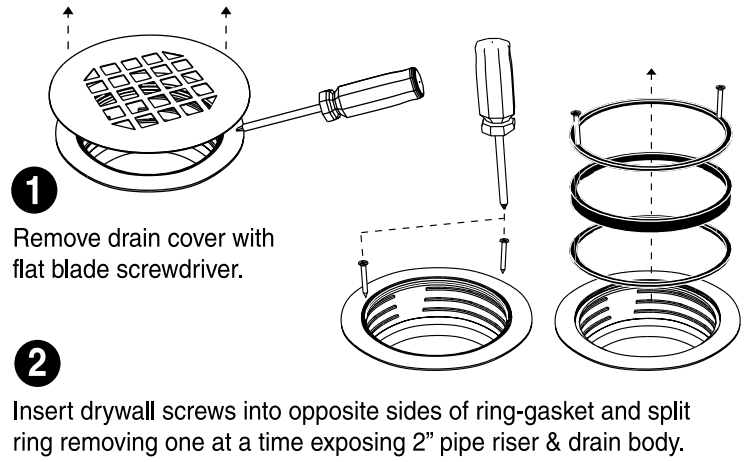
We Sell Adapters for the Pipe Sizes Below To Order Call 800-200-2678



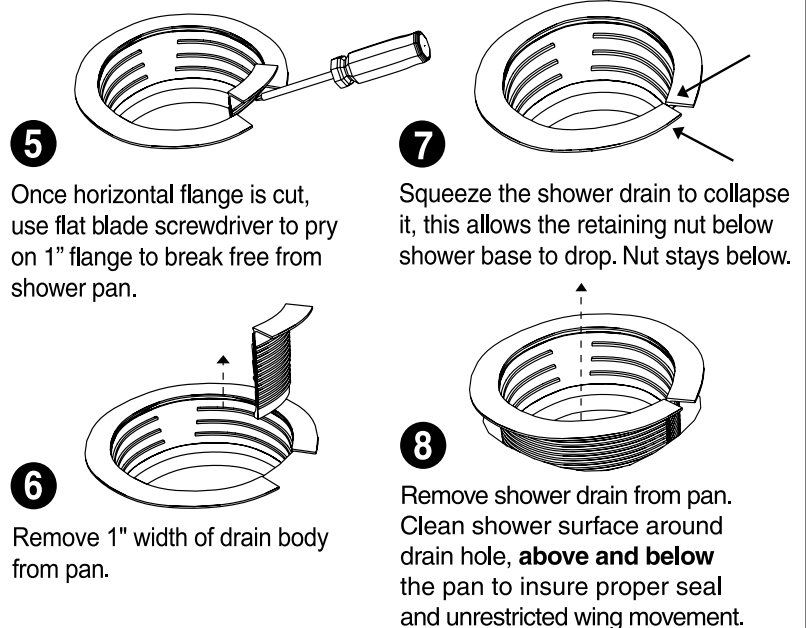
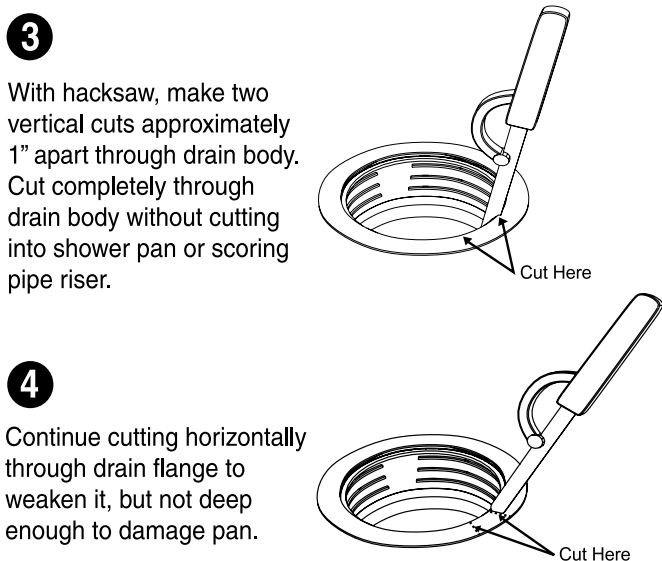
Removing Drain Seal - 2 Part System (Threaded Nut & Gasket Type)



Removing Drain Seal - 3 Part System (AB&A Sure Fit)



Removal of Drain Body





WINGTITE INSTALLATION INSTRUCTIONS

Watch Step-by-Step Instruction Video Online at www.wingtite.com/qr

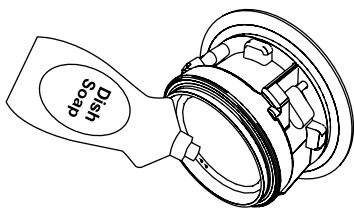
SCAN ME

Instant Video How It Works



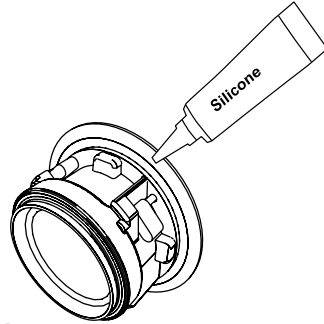
9

Remove WingTite from package. Installation is ready to begin.



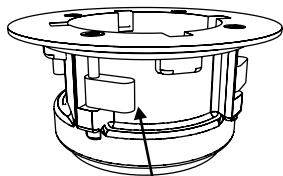
10

Apply liquid dish soap to drain O-ring as lubricant.



11

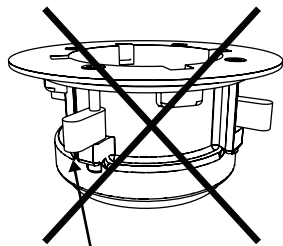
Apply a generous amount of 100% silicone to underside of WingTite drain flange.



12

Correct Position

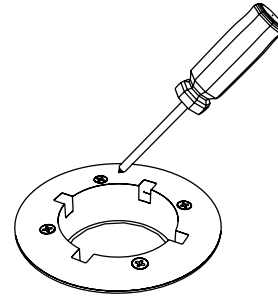
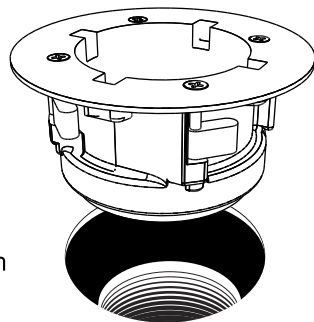
The four fastening wings must be against drain body at time of insertion into shower pan.



Incorrect Position

13

Insert drain into shower pan and press evenly over 2" drain pipe. Once drain has made contact with shower pan, hold firmly in place. Inspect pipe riser to ensure full contact with O-ring seal.



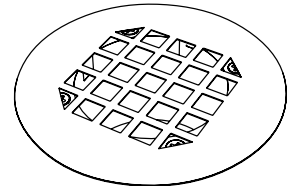
14

Tighten all four Phillips head wing screws evenly until drain is secure in pan. **20 Inch pounds maximum!**

DO NOT TIGHTEN PHILLIPS HEAD WING SCREWS WITH POWER TOOLS !!!

15

Clean excess silicone from drain and pan with rag. Test the shower drain and install cover.



Patented "O" ring seal allows for flexing shower pans!

PLUMBRITE MFG. INC.
WingTite.com
CAMBRIA, CA 93428
800-200-2678
US PATENT # 6,192,532

**WingTite Technical Support: 800-200-2678.
Available Weekdays 10 A.M. - 4 P.M. (PST).**