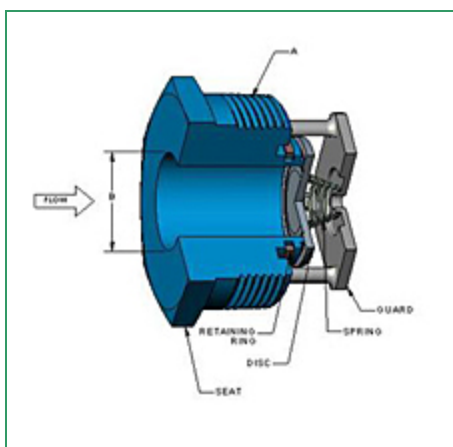




DFT® Inc
 140 Sheree Blvd. PO Box 566
 Exton, PA 19341-0566
Phone: 800.206.4013
Fax: 847.540.1422
Email: dft@dft-valves.com
Website: www.dft-valves.com

Prod. # 8033, 1" 303 SS BSSV Style Vacuum Breaker Threaded In-Line Check Valve

DFT® Vacuum Breakers provide effective protection against collapse of pressure vessels, tanks and rolls. They prevent condensate "back-up" when equipment is shut down or inlet steam is reduced by modulating control valves. In piping systems, DFT® Vacuum Breakers are used to break siphons, prevent pipe collapse during transient pressure drops, and to provide addition of air on the downstream side of check valves to dampen water hammer.



[Specifications](#) | [Materials of Construction](#) | [Available Soft Seat Materials](#) | [Codes and Standards](#) | [Options](#) | [Features](#) | [Application](#)

Specifications

Series	Vacuum Breaker
Style	BSSV
Size	1.00 in
Nominal Size (MNPT) A	1.00 in
Unthreaded Inlet Bore B	0.56 in

Friction Loss (Feet of Pipe)	7
Friction Loss (Meter of Pipe)	2.1
Valve Cracking Pressure ¹	0.60 psi 16.7 in.water
Valve Cracking Pressure Tolerance	±10%
Approx. Net Weight Each	0.38 lb
Cold Working Pressure ²	0 psig 2500 psig
ENDS	NPT
Cv	5.8

Materials of Construction

Seat	303 SS
Disc	316 SS
Guard	303 SS
Spring	316 SS
Retaining Ring	316 SS

Available Soft Seat Materials

Available Soft Seat Materials ³	Buna-N (-70 to 250°F) EPDM (-75 to 300°F) TFE®-Viton (-40 to 400°F) Viton® (-40 to 400°F) Zelon® (37 to 400°F)
--------------------------------------------	----------------------------------------------------------------------------------------------------------------------------

Codes and Standards

ANSI	B1.20.1
------	---------

MSS	SP-25
-----	-------

Options

Options

Inconel® X-750
Soft Seat
X-750 Spring

- Inconel® 750 Spring
- Soft seat

Features

- 1" to 4" size
- 450 to 6000 CWP
- Threaded O.D. (MNPT)
- Unthreaded inlet bore
- Stainless Steel Construction
- Spring-assisted silent closing
- Horizontal or vertical installation
- Tight shut-off - lapped disc & seat
- Easy maintenance
- Versatile

Application

Antisiphon Applications
Boiler Feed & Discharge
Heat Exchangers
Irrigation System
Jacketed Pans
Steam Coils
Steam Mains
Steam Systems
Sterilizing Chambers
Storage Ressels
Tanks

¹ Cracking pressure for vertical flow will be slightly different: upward flow, slightly higher; downward flow, slightly less.

² Contingent on service ratings of matching pipe and fittings.

³ Buna-N and Viton are not suitable for steam service.