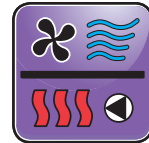


# tekmar® Submittal

## Mixing Control 361



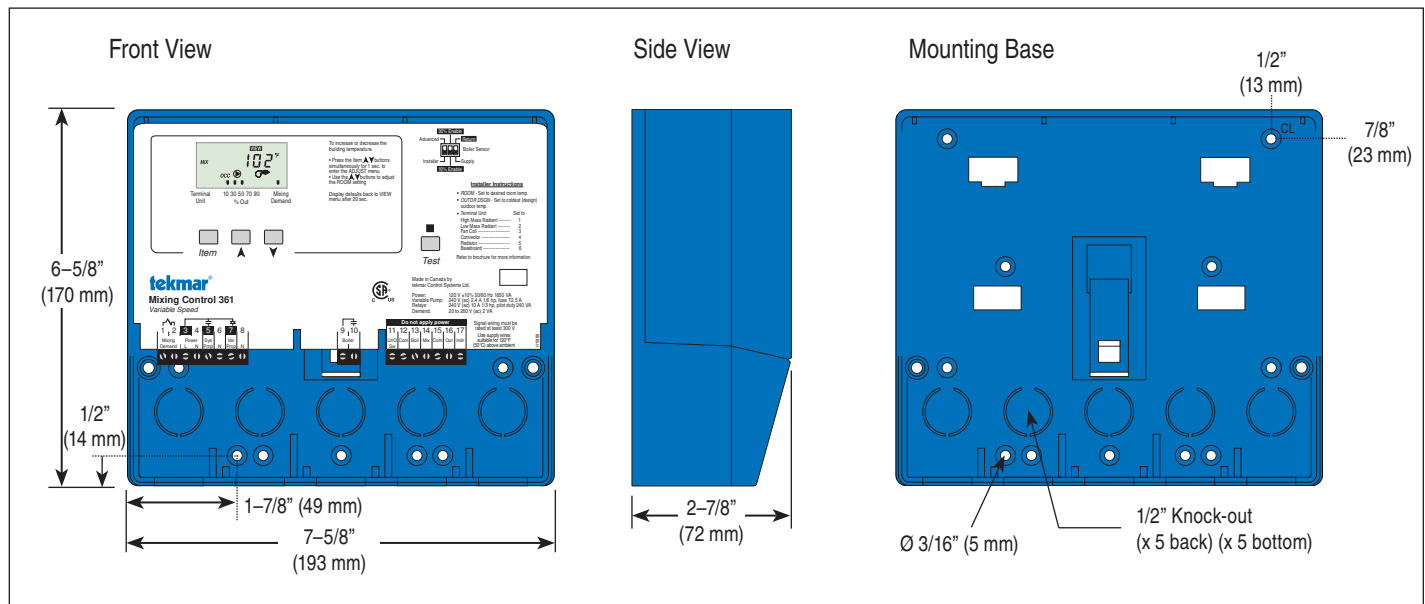
**C 361**

01/11

HVAC Systems Replaces: New

Job \_\_\_\_\_ Designer \_\_\_\_\_ Contact \_\_\_\_\_

The Mixing Control 361 is designed to operate a mixing pump using outdoor reset. It can be used in applications ranging from in-floor radiant to commercial baseboard systems for boiler protection with full reset. This control regulates a single heating water temperature through outdoor reset. It provides mixing by speeding up or slowing down a single permanent capacitor (standard wet rotor) circulator, and provides control of the mix system pump.



### Specifications

Mixing Control 361 Variable Speed	
Literature	D361, A361, D001, D070, E021
Control	Microprocessor control. This is not a safety (limit) control
Packaged weight	3.0 lb. (1380 g)
Dimensions	6-5/8" H x 7-9/16" W x 2-13/16" D (170 x 193 x 72 mm)
Enclosure	Blue PVC plastic, NEMA type 1
Approvals	CSA C US, meets class B: ICES & FCC Part 15
Ambient conditions	Indoor use only, 32 to 104°F (0 to 40°C), RH ≤90% Non-condensing
Power supply	120 V (ac) ±10%, 50/60 Hz, 1650 VA
Variable pump	120 V (ac) 2.4 A (FLA) 5 A (LRA), fuse T2.5 A 250 V
Relays	240 V (ac) 10 A 1/3 hp
Demand	20 to 260 V (ac) 2 VA
Sensors	NTC thermistor, 10 kΩ @ 77°F (25°C ±0.2°C) β=3892
-Included	Outdoor Sensor 070 and 2 of Universal Sensor 082
-Optional	tekmar type #: 033, 076, 077, 084
Warranty	Limited 3 Year (See D361 for full warranty)

### Energy Saving Features

- Outdoor Temperature Reset
- Indoor Temperature Feedback (with optional indoor sensor)
- Warm Weather Shut Down
- Boiler control
- Automatic Boiler Differential

### Additional Features

- Variable speed pump control
- Quick setup for easy installation and programming of control
- User comfort adjustment to increase or decrease building space temperature
- Advanced settings to fine-tune building requirements
- Powered mixing system pump output
- Test sequence to ensure proper component operation
- Setback input for energy savings
- 120 V (ac) power supply
- CSA C US certified (approved to applicable UL standards)

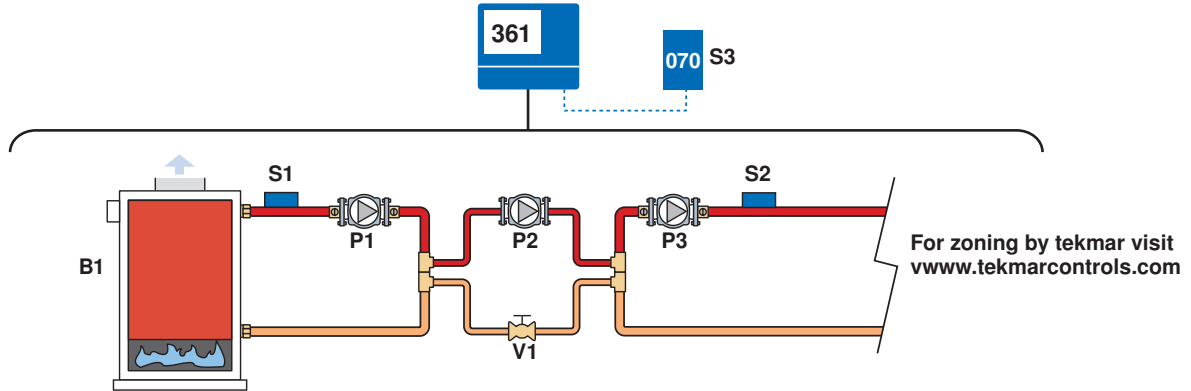
### SPECIAL REQUIREMENTS

N / A

# Sample Application Drawing

Below is a sample application drawing for this product. This application may include other tekmar products that are required for installation. More sample applications can be found at [www.tekmarcontrols.com](http://www.tekmarcontrols.com).

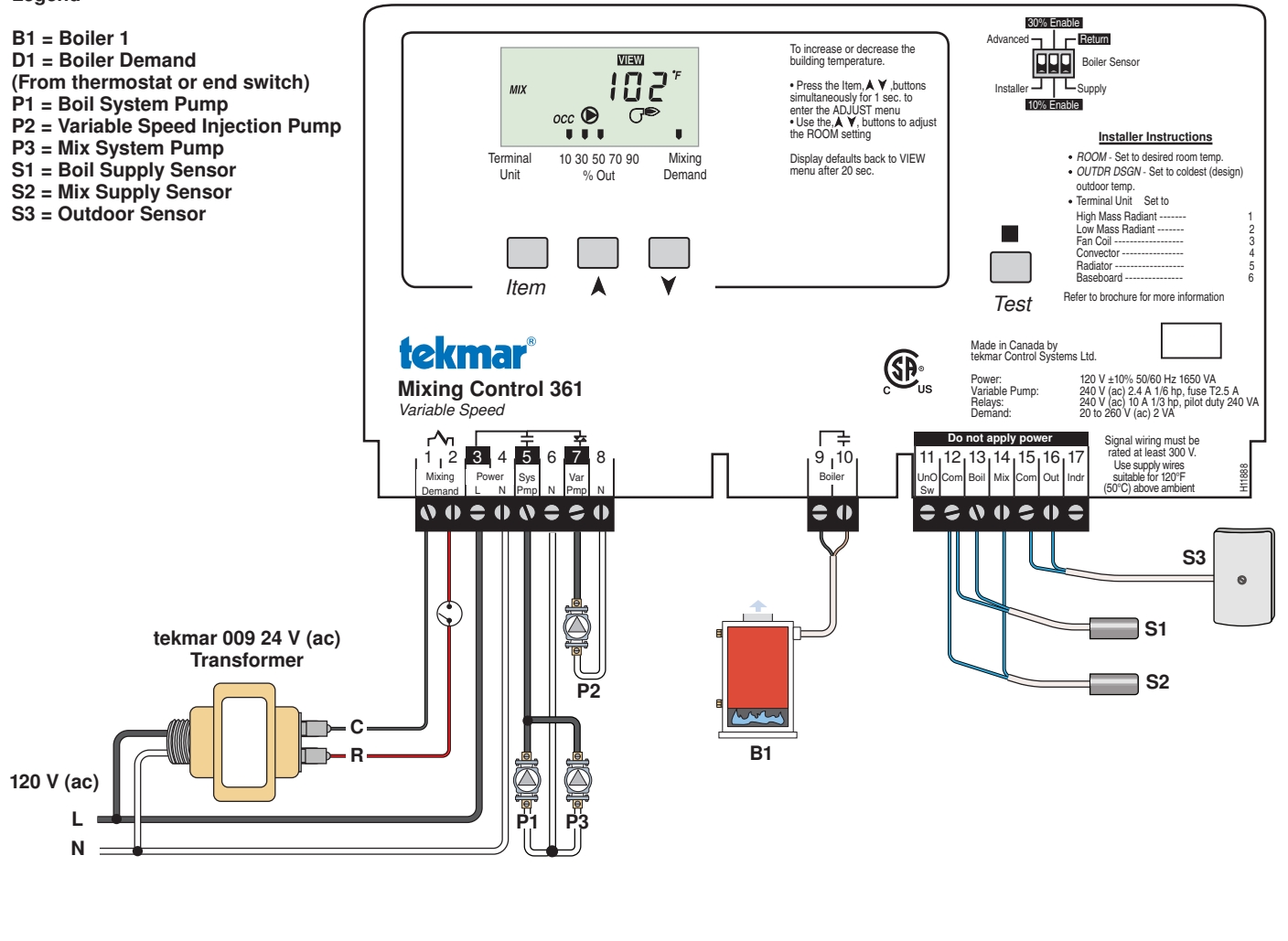
Sample Mechanical diagram



Sample Electrical diagram

## Legend

- B1 = Boiler 1
- D1 = Boiler Demand
- (From thermostat or end switch)
- P1 = Boil System Pump
- P2 = Variable Speed Injection Pump
- P3 = Mix System Pump
- S1 = Boil Supply Sensor
- S2 = Mix Supply Sensor
- S3 = Outdoor Sensor



tekmar Control Systems Ltd., Canada, tekmar Control Systems, Inc., U.S.A. Head Office: 5100 Silver Star Road, Vernon, B.C. Canada V1B 3K4, 250-545-7749, Fax. 250-545-0650 Web Site: [www.tekmarcontrols.com](http://www.tekmarcontrols.com)

