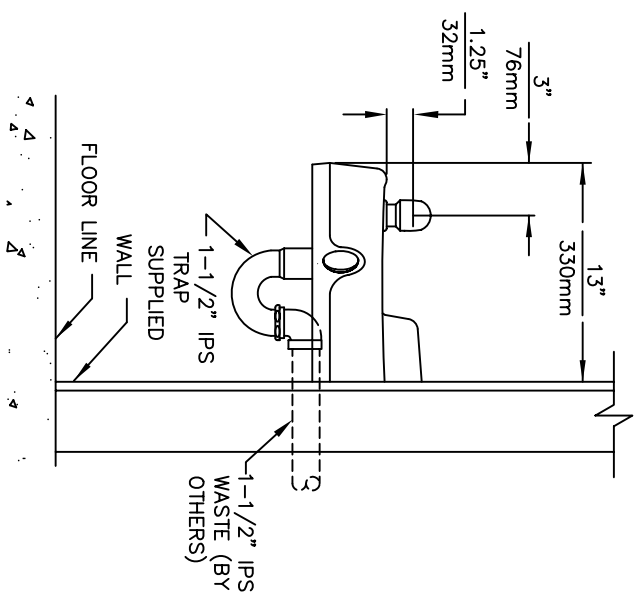
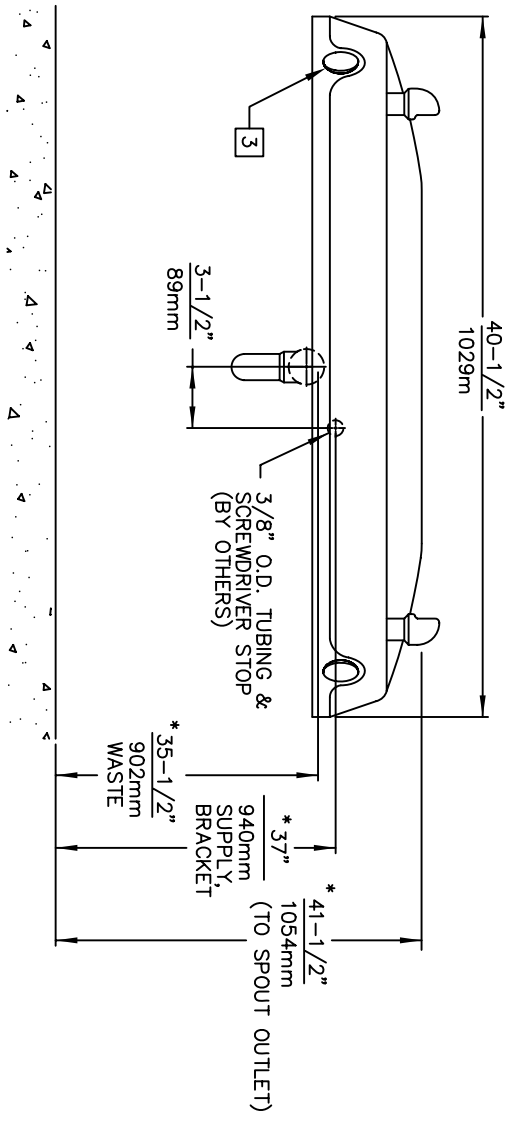


**MOUNTING DETAIL**



- NOTES:**
1. ROUGH-IN DIMENSIONS MAY VARY ±1/4" (6.4mm).
  2. WHEN INSTALLING THIS UNIT LOCAL, STATE OR FEDERAL CODES SHOULD BE ADHERED TO. FOR INSTALLATION HEIGHTS OTHER THAN SHOWN, DIMENSIONS MARKED (\*) MUST BE ADJUSTED ACCORDINGLY.
  3. REFER TO 5874/VRK5874 OPERATION AND MAINTENANCE MANUAL FOR PUSH BUTTON AND VALVE INSTALLATION/MAINTENANCE INSTRUCTIONS.

**Haws Corporation**

INFO FAX : 1-888-FAX-HAWS (1-888-329-4297)

1455 Kieppa Ln, Sparks NV, 89431  
 Phone: 775-359-4712 Fax: 775-359-7424

Haws AG, Buchweg 3 CH-3401 Burgdorf, Switzerland  
 Haws Mfg Pte Ltd 74 Sungei Kodut Loop Singapore 729531  
 e-tridil: Haws@hawsco.com website: www.hawsco.com

REG. NO.	REG. DATE	REG. BY	MODEL(S)
1430	11/91	SCHECT	1430
DATE	DATE	DATE	DATE
11/91			

INFO FAX DOC # 21430

SCALE: 1:1 DRAWING TYPE: INSTALLATION/BACKPACK

DATE: 11/91

APPROVER:

SIZE: A 1 SHEET 1 OF 1

0002076850.D  
 09919C00