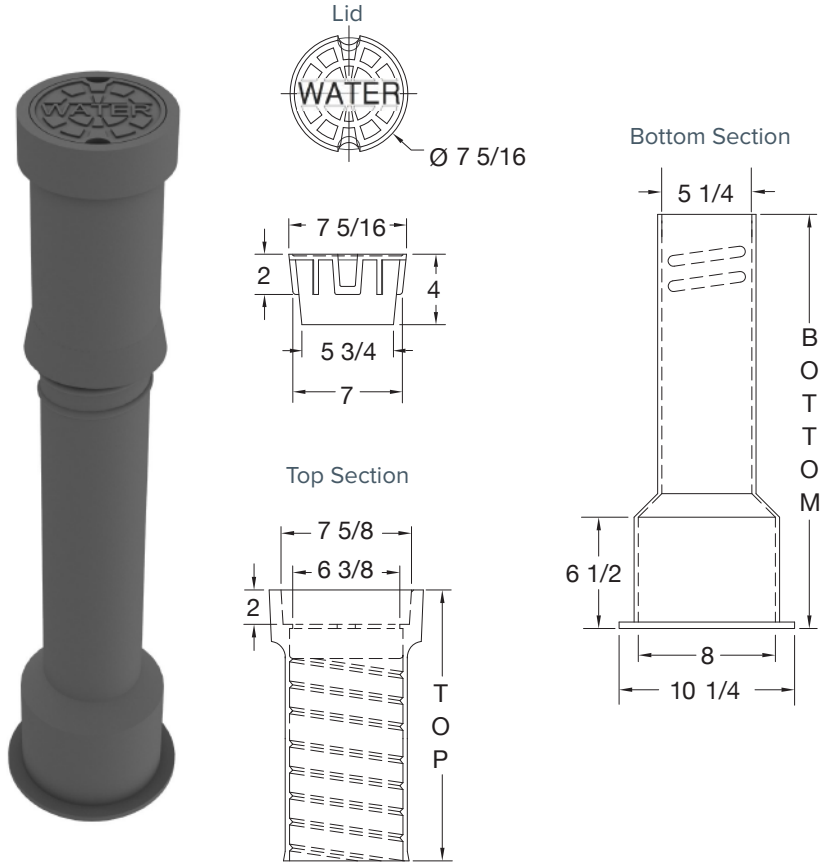


PRODUCT NO.	TOP	BOTTOM	RANGE
30461	10	15	20 - 24
30462	10	24	28 - 33
30562	16	24	28 - 38
30564	16	36	40 - 51
30664	26	36	40 - 61
30666	26	48	52 - 82
30668	26	60	63 - 83
30669	36	36	50 - 80

**NOTES:**

- Dimensions are approximate & in inches
- Gray Iron, Class 30B
- Conforms to ASTM A48 / A48M-03 specifications
  - \* Please specify if required in Class 35B or Ductile Iron
- Markings: Plain, Fire, Gas, Open left arrow, Open right arrow, Sewer, Water
- Sewer, Water lids available with locks
  - \* Custom markings / logos available upon request
- Product # 30669 top only available without flange

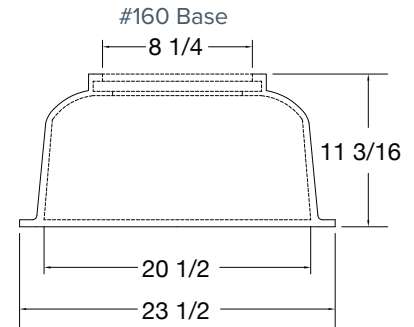
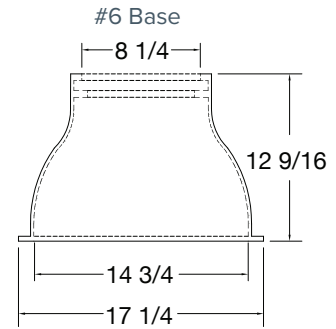
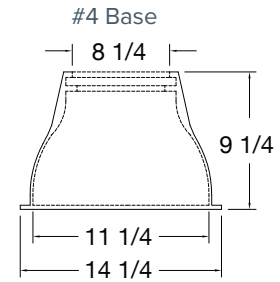
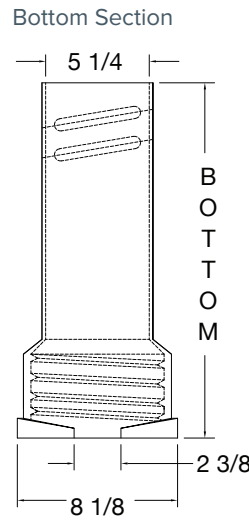
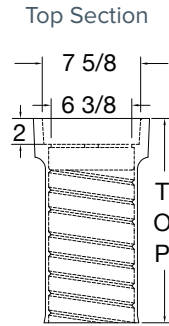
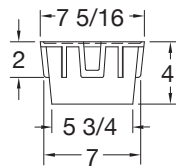
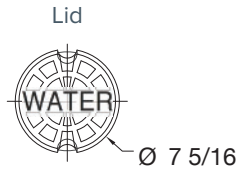
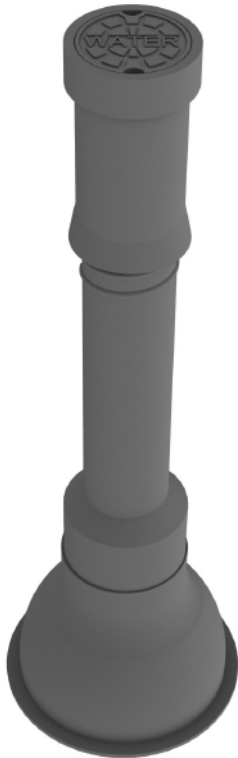




PRODUCT NO.	TOP	BOTTOM	RANGE
32461	10	15	19 - 22
32462	10	24	27 - 32
32562	16	24	27 - 37
32563	16	30	33 - 43
32564	16	36	39 - 50
32662	26	30	36 - 52
32664	26	36	39 - 60
32666	26	48	51 - 71
32668	26	60	62 - 82

**NOTES:**

- Dimensions are approximate & in inches
- Gray Iron, Class 30B
- Conforms to ASTM A48 / A48M-03 specifications
  - \* Please specify if required in Class 35B or Ductile Iron
- Markings: Plain, Fire, Gas, Open left arrow, Open right arrow, Sewer, Water
- Sewer, Water lids available with locks
  - \* Custom markings / logos available upon request



PRODUCT NO.	TOP	BOTTOM	RANGE
340AA	10	14	27 - 31
340A0	16	18	33 - 42
340B0	16	24	39 - 49
340C0	16	30	45 - 54
340CC	16	36	51 - 60
340D0	26	30	45 - 66
340DD	26	36	51 - 72
340E0	16	48	63 - 72
340F0	26	48	63 - 84
340G0	26	60	74 - 94

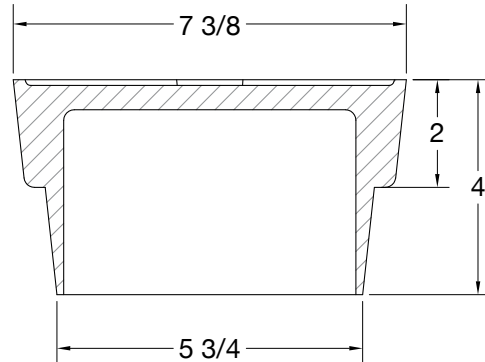
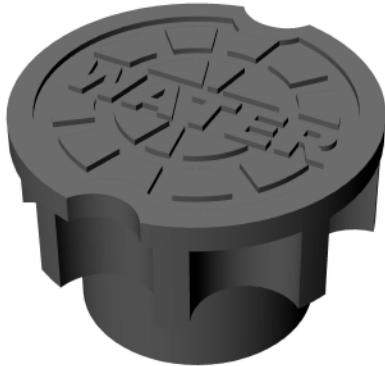
PRODUCT NO.	EQUIVALENT
30004	#4 Base
30006	#6 Base
30160	#160 Base

**NOTES:**

- Dimensions are approximate & in inches
- Gray Iron, Class 30B
- Conforms to ASTM A48 / A48M-03 specifications
  - \* Please specify if required in Class 35B or Ductile Iron
- Markings: Plain, Fire, Gas, Open left arrow, Open right arrow, Sewer, Water
- Sewer, Water lids available with locks
  - \* Custom markings / logos available upon request
- Product #30006 is the standard base for 3 piece boxes
- Range dimensions specified above include product #30006 (#6 base)



Lid (Standard)

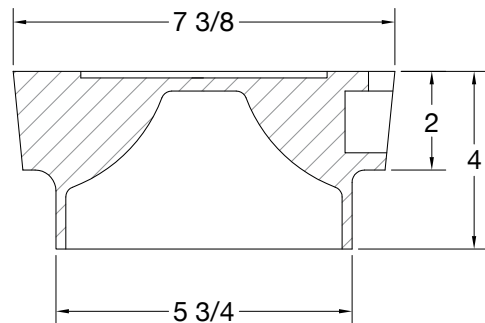


NOTES:

- Dimensions are approximate & in inches
- Heavy duty
- Gray Iron, Class 30B
  - \* Please specify if required in Class 35B or Ductile Iron
- Markings: See page BX-11
  - \* Custom markings / logos available upon request

PRODUCT NO.
VBLIDL

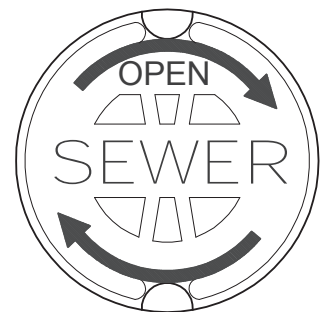
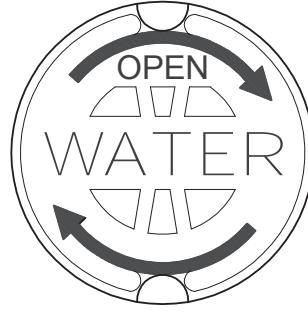
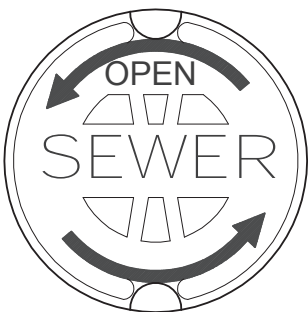
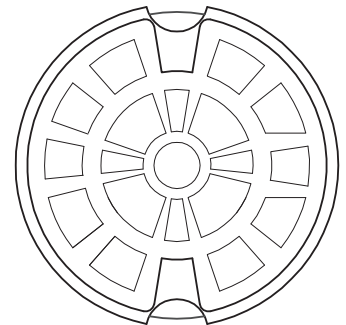
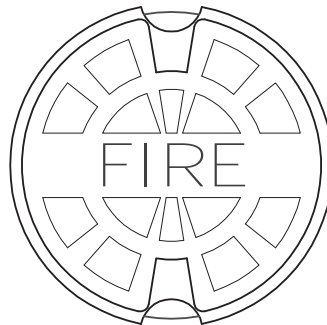
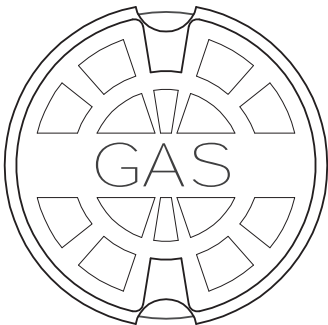
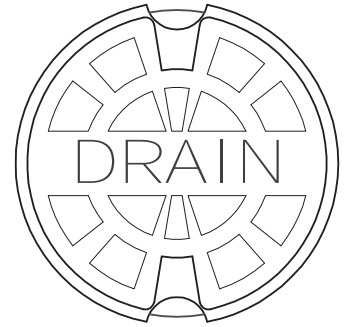
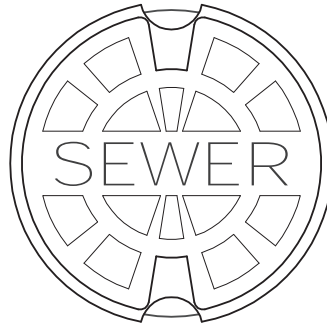
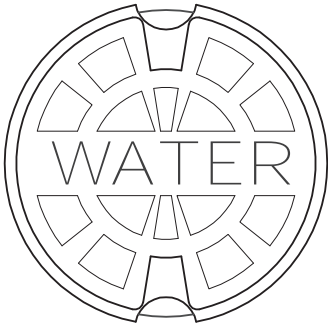
Lid (Heavy)

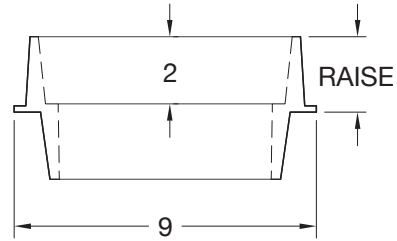


NOTES:

- Dimensions are approximate & in inches
- Heavy duty
- Gray Iron, Class 30B
  - \* Please specify if required in Class 35B or Ductile Iron
- Markings: See page BX-11
  - \* Custom markings / logos available upon request

PRODUCT NO.
VBLIDH



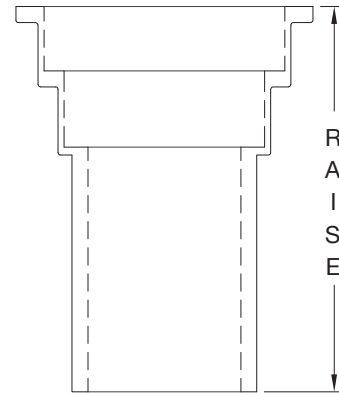
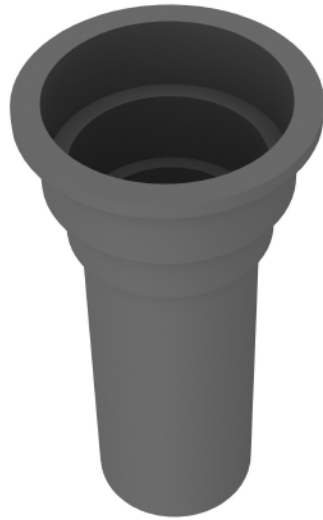


PRODUCT NO.	RAISE
30210	1
30215	1-1/2
30220	2
30225	2-1/2
30230	3
30240	4
30260	6
30280	8
30300	10
30320	12

**NOTES:**

- Dimensions are approximate & in inches
- Gray Iron, Class 30B
- Conforms to ASTM A48 / A48M-03 specifications
- \* Please specify if required in Class 35B or Ductile Iron

## Risers, Adjustable Slip Type

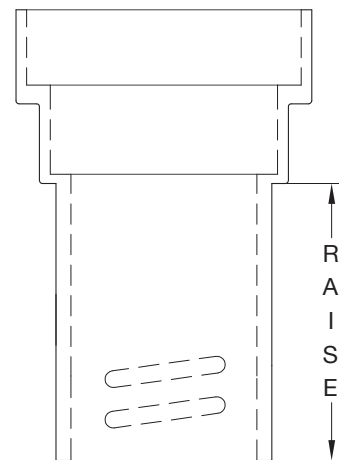


**NOTES:**

- Dimensions are approximate & in inches
- Gray Iron, Class 30B
- Conforms to ASTM A48 / A48M-03 specifications
- \* Please specify if required in Class 35B or Ductile Iron

PRODUCT NO.	RAISE
30012	12
30018	18
30024	24

## Risers, Adjustable Screw Type

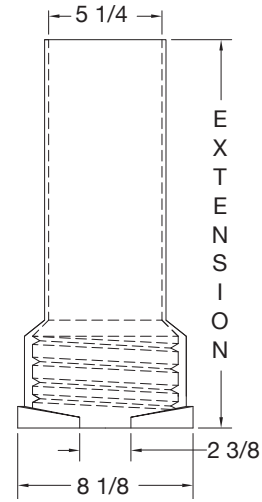


**NOTES:**

- Dimensions are approximate & in inches
- Gray Iron, Class 30B
- Conforms to ASTM A48 / A48M-03 specifications
- \* Please specify if required in Class 35B or Ductile Iron

PRODUCT NO.	RAISE
32012	12
32018	18
32024	24

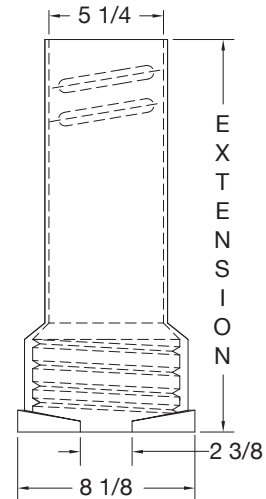




**NOTES:**

- Dimensions are approximate & in inches
- Gray Iron, Class 30B
- Conforms to ASTM A48 / A48M-03 specifications
- \* Please specify if required in Class 35B or Ductile Iron

PRODUCT NO.	EXTENSION
31014	18
31018	24
31024	30



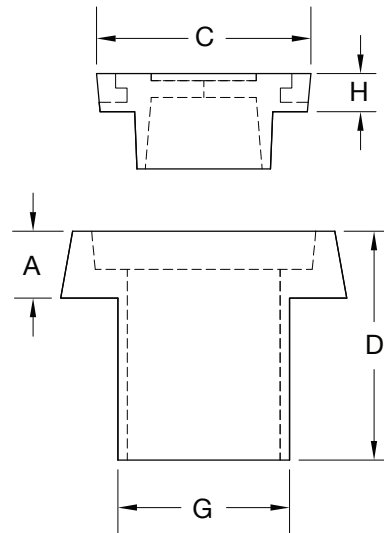
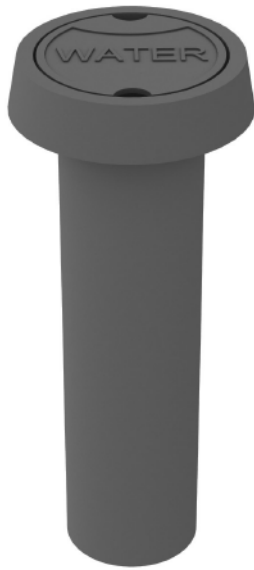
**NOTES:**

- Dimensions are approximate & in inches
- Gray Iron, Class 30B
- Conforms to ASTM A48 / A48M-03 specifications
- \* Please specify if required in Class 35B or Ductile Iron

PRODUCT NO.	EXTENSION
33010	14
33014	18
33018	24
33024	30
33030	36



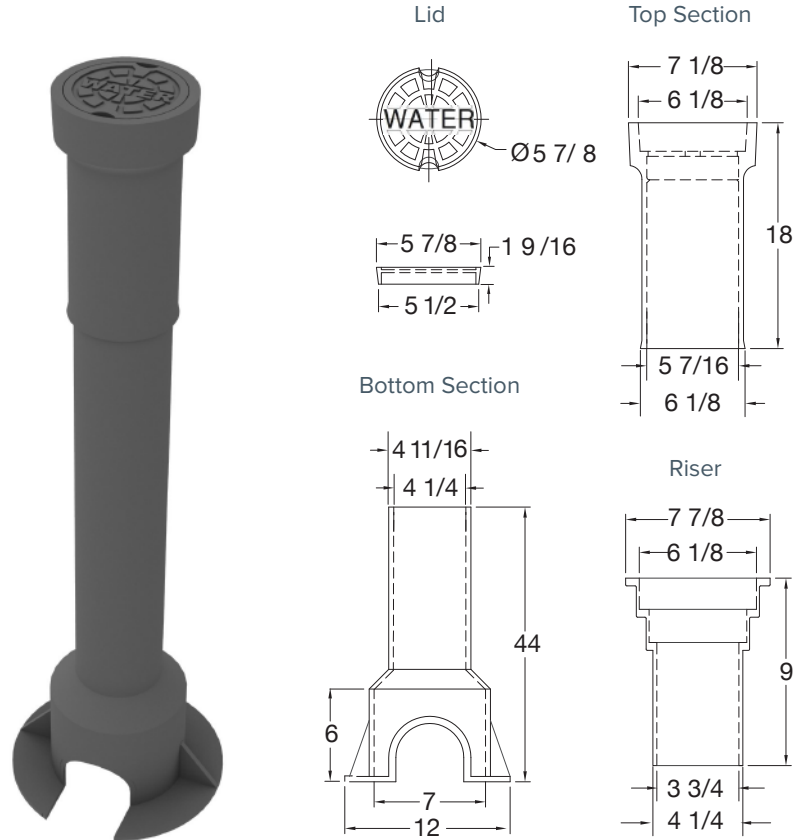




PRODUCT NO.	A	C	D	G	H	TYPE	BOX
30F01	1	5-3/4	6	5-1/2	1	FIXED	VALVE
30S10	1-3/4	5-5/8	6	4-1/2	1	ADJUSTABLE	ROADWAY
30S11	1-3/4	5-5/8	12	4-1/2	1	ADJUSTABLE	ROADWAY
30S20	1-3/4	6-3/8	6	5-1/4	1	ADJUSTABLE	VALVE
30S21	1-3/4	6-3/8	12	5-1/4	1	ADJUSTABLE	VALVE
30S22	1-3/4	6-3/8	18	5-1/4	1	ADJUSTABLE	VALVE

**NOTES:**

- Dimensions are approximate & in inches
- Gray Iron, Class 30B
- Conforms to ASTM A48 / A48M-03 specifications
- \* Please specify if required in Class 35B or Ductile Iron
- Markings: Gas, Water
- \* Custom markings / logos available upon request



### Roadway Box

PRODUCT NO.	TOP	BOTTOM	RANGE
38145R	18	44	49 - 62

### Roadway Box Riser

PRODUCT NO.	RANGE
39009	2 - 6

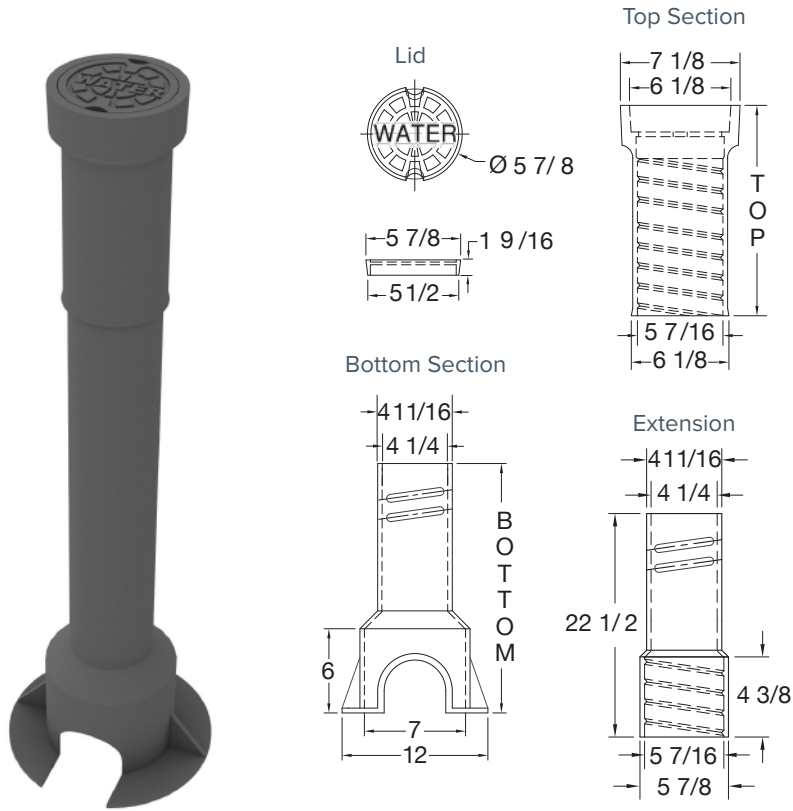
### Roadway Box Extension

PRODUCT NO.	RANGE
38049	5 - 18

#### NOTES:

- Dimensions are approximate & in inches
- Gray Iron, Class 30B
- Conforms to ASTM A48 / A48M-03 specifications
  - \* Please specify if required in Class 35B or Ductile Iron
- Markings: Sewer, Water
  - \* Custom markings / logos available upon request





Roadway Box

PRODUCT NO.	TOP	BOTTOM	RANGE
39143R	18	34	36 - 48
39144R	18	40	42 - 54
39145R	18	44	49 - 62

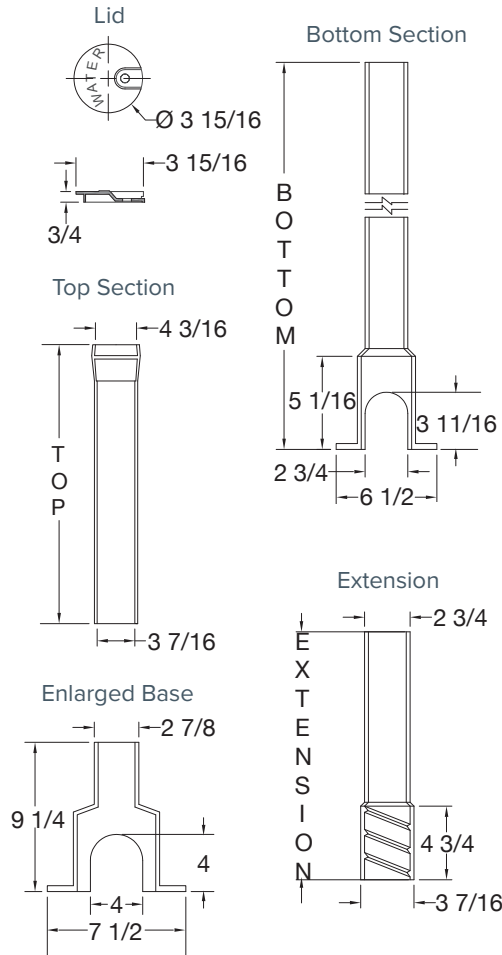
Roadway Box Extension

PRODUCT NO.	RANGE
39049	5 - 18

NOTES:

- Dimensions are approximate & in inches
- Gray Iron, Class 30B
- Conforms to ASTM A48 / A48M-03 specifications
  - \* Please specify if required in Class 35B or Ductile Iron
- Markings: Sewer, Water
  - \* Custom markings / logos available upon request





### Service Box

PRODUCT NO.	TOP	BOTTOM	RANGE
36094E	25	39	42 - 60
36095E	25	47	41 - 64
36100E	25	60	54 - 72

### Extension

PRODUCT NO.	RANGE
36151	9
36152	16
36153	28

### Enlarged Base

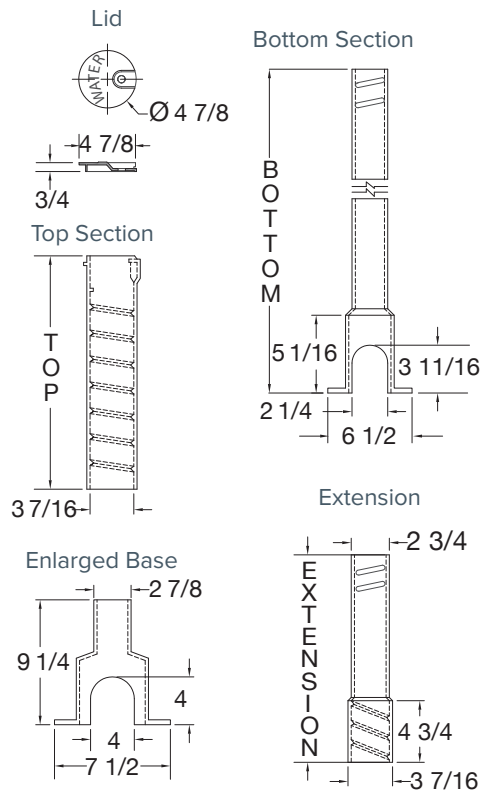
PRODUCT NO.	HEIGHT INCREASE
36500	6

#### NOTES:

- Dimensions are approximate & in inches
- Gray Iron, Class 30B
- Conforms to ASTM A48 / A48M-03 specifications
  - \* Please specify if required in Class 35B or Ductile Iron
- Markings: Gas, Sewer, Water
  - \* Custom markings / logos available upon request



Screw Type



Service Box

PRODUCT NO.	TOP	BOTTOM	RANGE
37092D	18	27	30 - 42
37093D	18	33	36 - 48
37093E	24	33	36 - 54
37094E	24	39	42 - 60
37095E	30	39	41 - 64
37100E	24	50	54 - 72
37100F	30	50	54 - 78

Extension

PRODUCT NO.	RANGE
37151	9
37152	16
37153	28
37154	30

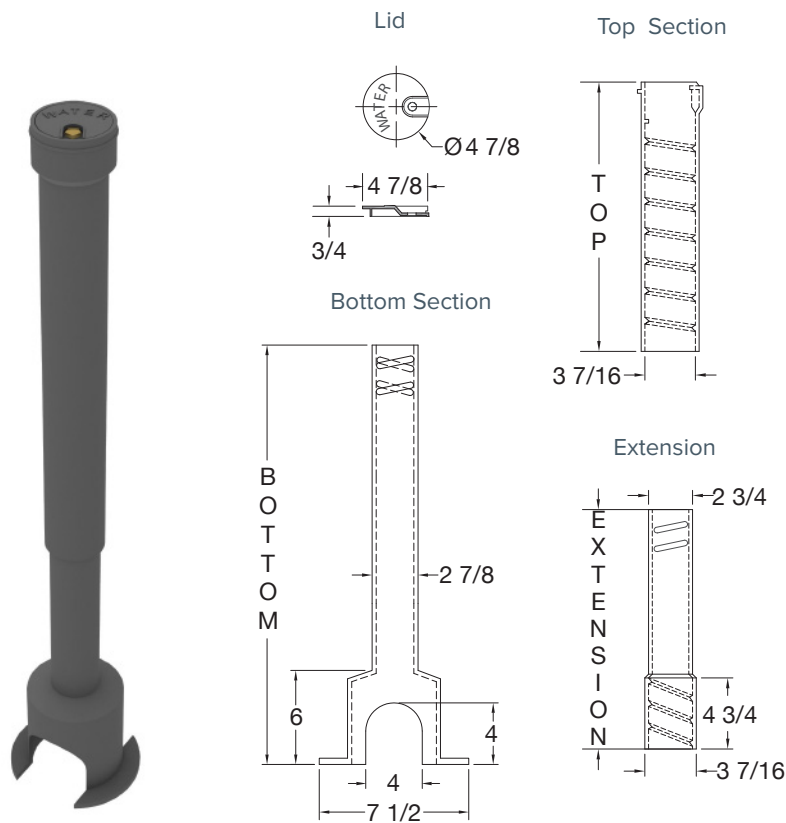
Enlarged Base

PRODUCT NO.	HEIGHT INCREASE
36500	6

NOTES:

- Dimensions are approximate & in inches
- Gray Iron, Class 30B
- Conforms to ASTM A48 / A48M-03 specifications
  - \* Please specify if required in Class 35B or Ductile Iron
- Markings: Gas, Sewer, Water
  - \* Custom markings / logos available upon request





### Service Box

PRODUCT NO.	TOP	BOTTOM	RANGE
38093E	18	39	36 - 54
38094E	24	39	42 - 60
38095E	30	39	41 - 64

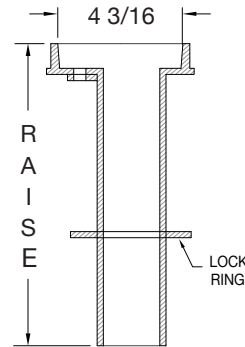
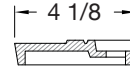
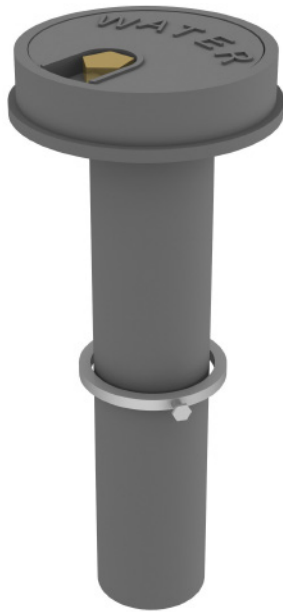
### Extension

PRODUCT NO.	RANGE
37151	9
37152	16
37153	28
37154	30

#### NOTES:

- Dimensions are approximate & in inches
- Gray Iron, Class 30B
- Conforms to ASTM A48 / A48M-03 specifications
  - \* Please specify if required in Class 35B or Ductile Iron
- Markings: Gas, Sewer, Water
  - \* Custom markings / logos available upon request



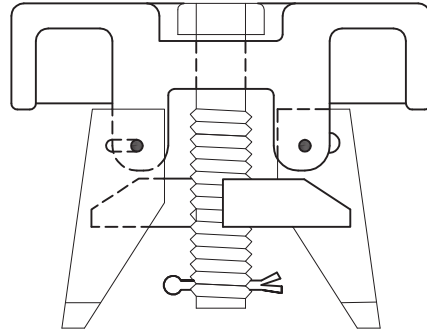
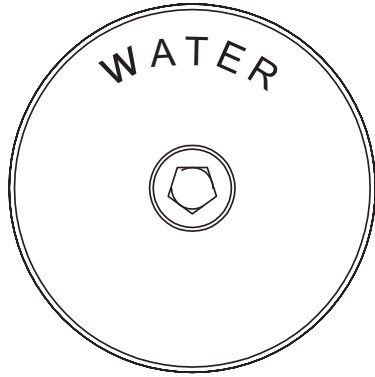


PRODUCT NO.	RAISE
37012	12
37018	18
37024	24

**NOTES:**

- Dimensions are approximate & in inches
- Gray Iron, Class 30B
- Conforms to ASTM A48 / A48M-03 specifications
  - \* Please specify if required in Class 35B or Ductile Iron
- Markings: Gas, Sewer, Water
  - \* Custom markings / logos available upon request



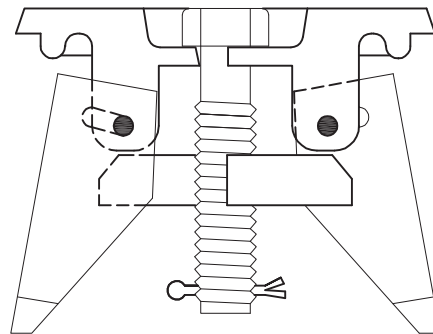
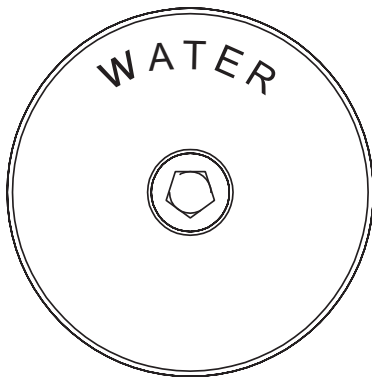


**NOTES:**

- Gray Iron, Class 30B
- Conforms to ASTM A48 / A48M-03 specifications
  - \* Please specify if required in Class 35B or Ductile Iron
- Markings: Sewer, Water
  - \* Custom markings / logos available upon request

**PRODUCT NO.**

**36700**



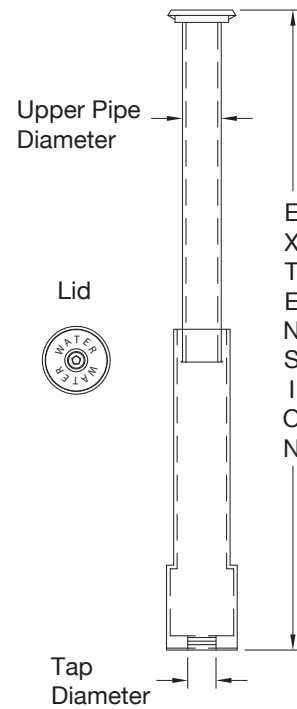
**NOTES:**

- Gray Iron, Class 30B
- Conforms to ASTM A48 / A48M-03 specifications
  - \* Please specify if required in Class 35B or Ductile Iron
- Markings: Sewer, Water
  - \* Custom markings / logos available upon request

**PRODUCT NO.**

**36701**



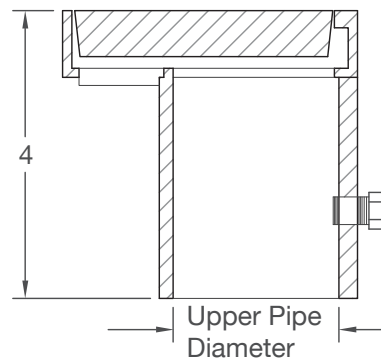


UP. PIPE DIA:	1-1/4	1-1/4	1-1/2	
BASE TAP:	1-1/2	2	2	RANGE / BURY
<b>PRODUCT NO.</b>	<b>PRODUCT NO.</b>	<b>PRODUCT NO.</b>	<b>EXTENSION</b>	
45048	46048	47048	3 - 4	
45054	46054	47054	3-1/2 - 4-1/2	
45060	46060	47060	4 - 5	
45066	46066	47066	4-1/2 - 5-1/2	
45072	46072	47072	5 - 6	
45078	46078	47078	5-1/2 - 6-1/2	
45084	46084	47084	6 - 7	
45090	46090	47090	6-1/2 - 7-1/2	
45096	46096	47096	7 - 8	

**NOTES:**

- Dimensions are approximate & in inches
- Cap & Base: Gray Iron, Class 30B
- Conforms to ASTM A48 / A48M-03 specifications
  - \* Please specify in required in Class 35B or Ductile Iron
- Upper Pipe: Steel
- Conforms to ASTM A36 specifications
- Markings: Water
  - \* Custom markings / logos available upon request



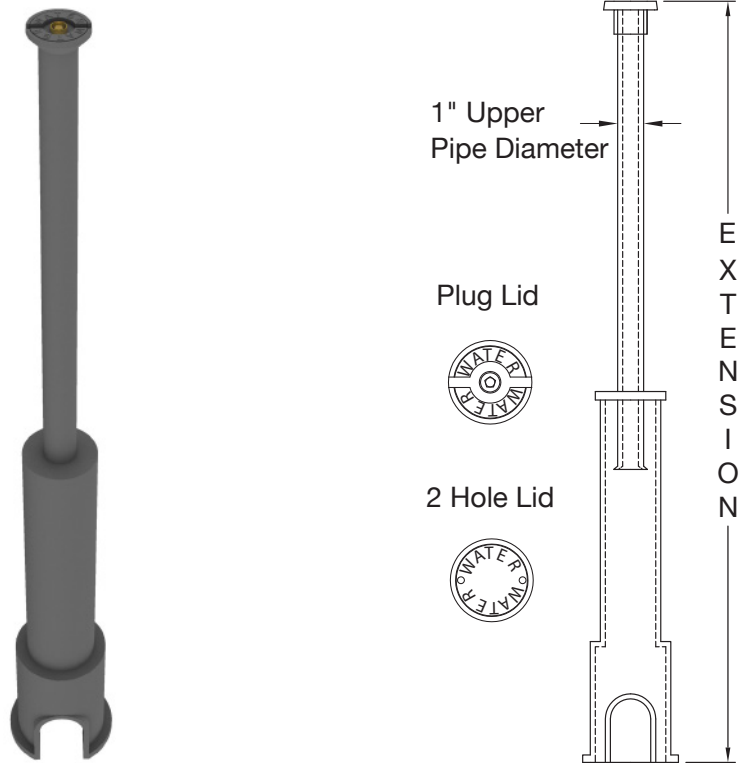


PRODUCT NO.	UPPER PIPE DIAMETER
4W125	1-1/4
4W150	1-1/2
4W200	2

**NOTES:**

- Dimensions are approximate & in inches
- Gray Iron, Class 35B
- Conforms to ASTM A48 / A48M-03 specifications
  - \* Please specify if required in Class 25B or Ductile Iron
- Markings: City Water
  - \* Custom markings / logos available upon request



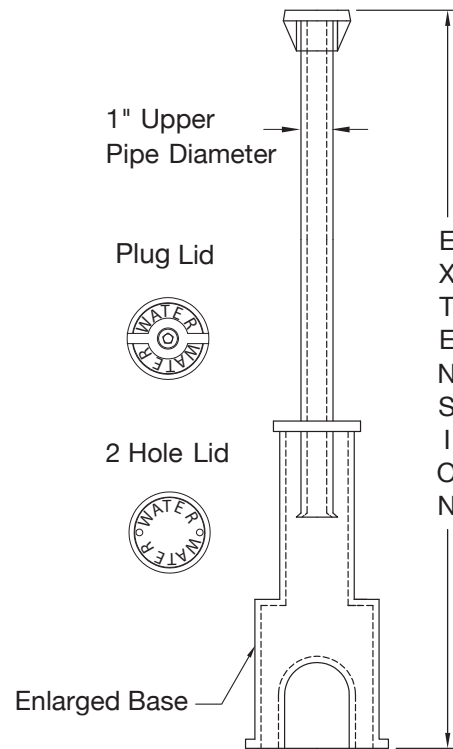


PLUG LID	2 HOLE LID	RANGE / BURY
PRODUCT NO.	PRODUCT NO.	EXTENSION
41048	42048	3 - 4
41054	42054	3-1/2 - 4-1/2
41060	42060	4 - 5
41066	42066	4-1/2 - 5-1/2
41072	42072	5 - 6
41078	42078	5-1/2 -6-1/2
41084	42084	6 - 7
41090	42090	6-1/2 - 7-1/2
41096	42096	7 - 8

**NOTES:**

- Dimensions are approximate & in inches
- Lid/Base: Gray Iron, Class 30B
- Conforms to ASTM A48 / A48M-03 specifications  
\* Please specify if required in Class 35B or Ductile Iron
- Upper Pipe: Steel
- Conforms to ASTM A36 specifications
- Markings: Sewer, Water  
\* Custom markings / logos available upon request
- 1-1/4" and 1-1/2" pipe also available (please specify)
- Suitable with 1-1/4", 1-1/2" & 2" curb stops





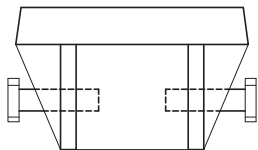
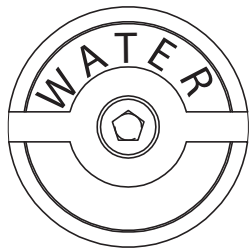
PLUG LID	2 HOLE LID	RANGE / BURY
PRODUCT NO.	PRODUCT NO.	EXTENSION
43048	44048	3 - 4
43054	44054	3-1/2 - 4-1/2
43060	44060	4 - 5
43066	44066	4-1/2 - 5-1/2
43072	44072	5 - 6
43078	44078	5-1/2 - 6-1/2
43084	44084	6 - 7
43090	44090	6-1/2 - 7-1/2
43096	44096	7 - 8

**NOTES:**

- Dimensions are approximate & in inches
- Lid/Base: Gray Iron, Class 30B
- Conforms to ASTM A48 / A48M-03 specifications
  - \* Please specify if required in Class 35B or Ductile Iron
- Upper Pipe: Steel
- Conforms to ASTM A36 specifications
- Markings: Sewer, Water
  - \* Custom markings / logos available upon request
- 1-1/4" and 1-1/2" pipe also available (please specify)
- Suitable with 1-1/4", 1-1/2" & 2" curb stops



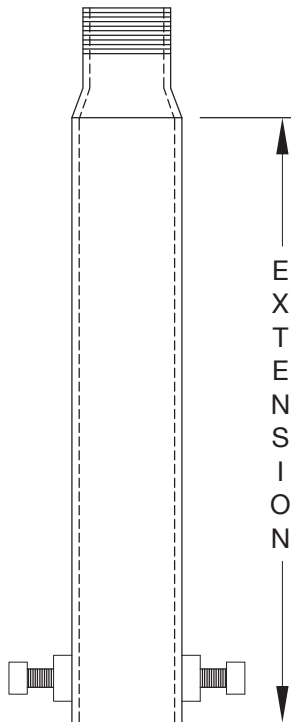
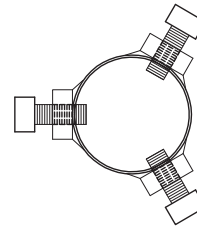
Repair Lid for 1" Pipe



Repair Lid

<b>PRODUCT NO.</b>
41000

Extension with  
3 Set Screws



Erie/Arch Box Extension,  
3 Set Screws

<b>PRODUCT NO.</b>	<b>EXTENSION</b>
41003	3
41006	6
41009	9
41012	12
41018	18
41024	24

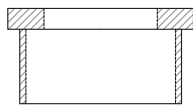
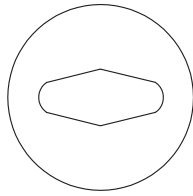
**NOTES:**

- Dimensions are approximate & in inches
- Suitable with 1-1/4", 1-1/2" & 2" curb stops
- Extensions are available for 1", 1-1/4" and 1-1/2" pipe

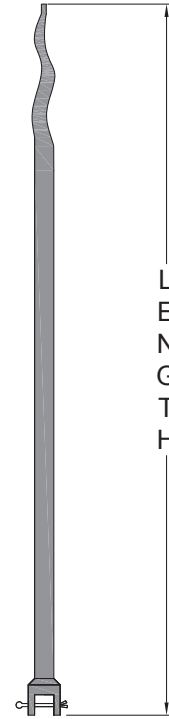


Centering Ring, Stationary Rods

Centering Ring



Stationary Rod



Centering Ring

PRODUCT NO.	USE WITH
49000	Stationary Rod

Stationary Rods, Mild Steel

PRODUCT NO.	LENGTH
49018	18
49024	24
49030	30
49033	33
49036	36
49042	42
49048	48
49054	54
49060	60
49066	66
49072	72
49078	78

Stationary Rods, Stainless Steel

PRODUCT NO.	LENGTH
49S24	24
49S30	30
49S36	36
49S42	42
49S48	48

NOTES:

- Dimensions are approximate & in inches
- Suitable for: Service/Buffalo Style Boxes, Erie/Arch Style Boxes, Minneapolis Style Boxes

