

1603CTGN – EVERYDAY SHOWERS

60 x 35 x 72 inches



FEATURES

- Shower stall
- Textured tile finish
- Molded seats (2)
- Molded toiletry shelves
- Slip-resistant textured bottom
- Center drain
- AcrylX™ applied acrylic surface
- Lifetime limited warranty

OPTIONS

- Grab bar reinforcement
- Factory installed assisted care grab bars
- Brass shower drain
- Shower door series L0517

AQUATIC ADVANTAGE

- National distribution
- 6 manufacturing facilities
- Private fleet
- Centralized customer service
- Field support

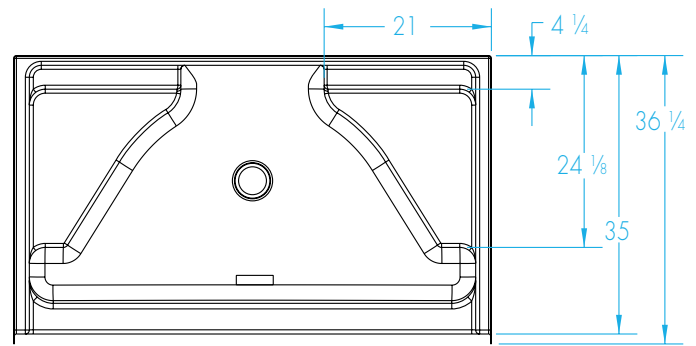
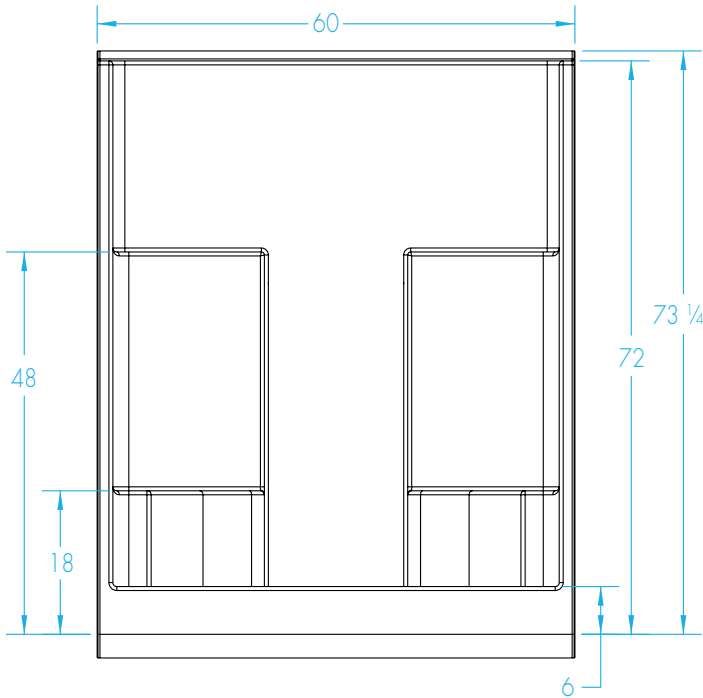
COLOR OPTIONS

Stock	Upgraded	Premium
White	Almond Linen/Biscuit Bone	Black Mexican Sand Sand Bar Sterling Silver



1603CTGN

60 x 35 x 72 inches



FEATURES lbs Dimensional Tolerance $\pm \frac{3}{8}$ ". Dimensions needed for site preparation should be measured from the unit. Aquatic assumes no responsibility for preparatory work.

Model #	Material	Wall Finish	Pieces	Drain	Seat	Net Wt.	Pkg. Wt.
Shower #1603CTGN	AcrylX™	Textured Tile	1	Center	2 seats	123	128

DIMENSIONS

Specifications	inches
Width: Overall / Net	60
Depth: Overall / Net	36 1/4 / 35
Height: Overall / Net	73 1/4 / 72
Enclosure Opening	55 3/4
Skirt Height	6
Drain Rough-In (from Back Wall)	15 3/4
Drain Rough-In (from Side Wall)	30
Drain: Diameter / Clearance	3 1/4 / 3/4

FRAMING DIMENSIONS inches

Type	D Depth	W Width	H Height	A	B	C
Alcove	36 1/4	60 1/8	-	Box Out	30	15 3/4

