

## Elbows (Class 125 Standard)

**Fig. 356A** 22 ½° Elbow

**Fig. 371** 90° Elbow, Flange & Screw



Fig. 356A

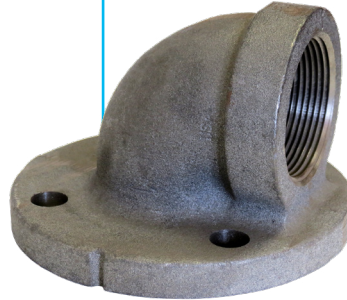
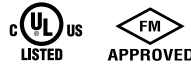


Fig. 371



Anvil standard and extra heavy cast iron threaded fittings are manufactured in accordance with ASME-B16.4 (except plugs and bushings, ASME B16.14). Dimensions also conform to Federal Specifications, WW-P-501 (except plugs and bushings WW-P-471).

Cast iron threaded fittings are available in both black and galvanized.

For Listings/Approval Details and Limitations, visit our website at [www.asc-es.com](http://www.asc-es.com) or contact an ASC Engineered Solutions™ Representative.

See following page for standards and specifications.

## Cast Iron Threaded Fittings Pressure - Temperature Ratings

Temperature	Pressure		Temperature	Pressure	
	Class 125	Class 250		Class 125	Class 250
°F/°C	PSI/bar	PSI/bar	°F/°C	PSI/bar	PSI/bar
-20°–150°	175	400	300°	140	310
-28.9°–65.6°	12.1	27.6	148.9°	9.7	21.4
200°	165	370	350°	125	300
93.3°	11.4	25.5	176.7°	8.6	20.7
250°	150	340	400°	–	250
121.1°	10.3	23.4	204.4°	–	17.2

**Note:**

Anvil standard and extra heavy cast iron threaded fittings are manufactured in accordance with ASME B16.4. Plugs and bushings are manufactured in accordance with ASME B16.14.

Figure 367 Concentric Reducers do not meet the overall length requirement of ASME B16.4. All other dimensions are in compliance.



PROJECT INFORMATION	APPROVAL STAMP
Project:	Approved
Address:	Approved as noted
Contractor:	Not approved
Engineer:	Remarks:
Submittal Date:	
Notes 1:	
Notes 2:	

## Elbows (Class 125 Standard) Fig. 371, 356A



### Standards and Specifications

#### Cast Iron Threaded Fittings

	Dimensions	Material	Galvanizing*	Thread	Pressure Rating
Class 125	ASME B16.4	ASTM A126 (A)	ASTM A153	ASME B1.20.1	ASME B16.4
Class 250	ASME B16.4	ASTM A126 (A)	ASTM A153	ASME B1.20.1	ASME B16.4

#### Cast Iron Plugs and Bushings

	Dimensions	Material	Galvanizing*	Thread	Pressure Rating
	ASME B16.14	ASTM A126 (A)	ASTM A153	ASME B1.20.1	ASME B16.14

**Note:**

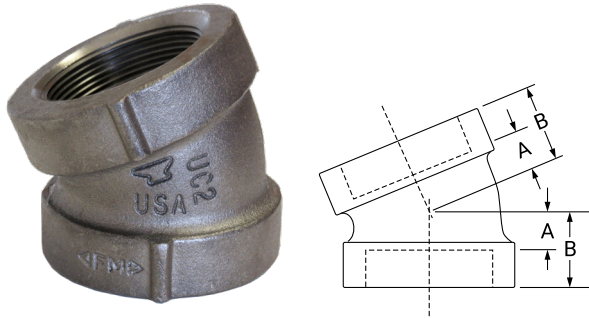
\* ASTM B633, Type I, SC 4, may be supplied as alternate zinc coating per applicable ASME B16 product standard.



asc-es.com

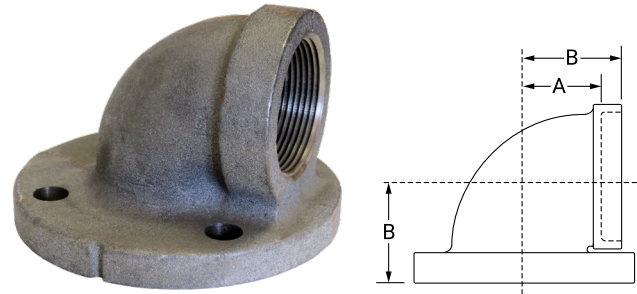
Building connections that last™

**Fig. 356A**  
22 1/2° Elbow (Class 125 Standard)



Size	A	B	Unit Weight Black
NPS/DN	In./mm	In./mm	Lbs./kg
3/4	3/8	7/8	0.52
20	10	22	0.24
1	7/16	1	0.80
25	11	25	0.36
1 1/4	1/2	1 1/8	1.40
32	13	29	0.63
1 1/2	5/8	1 1/4	1.64
40	16	32	0.74
2	3/4	1 7/16	2.50
50	19	37	1.13
2 1/2	3/4	1 5/8	3.95
65	19	41	1.79

**Fig. 371**  
90° Elbow, Flange & Screw (Class 125 Standard)



Size	A	B	Unit Weight Black
NPS/DN	In./mm	In./mm	Lbs./kg
2 1/2	1 13/16	2 11/16	10.22
65	47	68	4.63
3	2 3/16	3 1/8	13.25
80	56	79	6.01
4	2 11/16	3 13/16	21.56
100	68	98	9.78
6	3 7/8	5 1/8	40.50
150	98	130	18.37

**Notes:**

Nominal Pipe Sizes of 4" (100 DN) and larger have two holes tapped for stud or tap bolts.

**Note:**

See first page for pressure-temperature ratings.



asc-es.com

Building connections that last™

## Fig. 371, 356A Elbows (Class 125 Standard)

### General Assembly of Threaded Fittings

#### 1 Inspect both male and female components prior to assembly.

- Threads should be free from mechanical damage, dirt, chips and excess cutting oil.
- Clean or replace components as necessary.

#### 2 Application of thread sealant

- Use a thread sealant that is fast drying, sets-up to a semi hard condition and is vibration resistant. Alternately, an anaerobic sealant may be utilized.
- Thoroughly mix the thread sealant prior to application.
- Apply a thick even coat to the male threads only. Best application is achieved with a brush stiff enough to force sealant down to the root of the threads.

#### 3 Joint Makeup

- For sizes up to and including 2" pipe, wrench tight makeup is considered three full turns past handtight. Handtight engagement for ½" through 2" thread varies from 4½ turns to 5 turns.
- For 2½" through 4" sizes, wrench tight makeup is considered two full turns past handtight. Handtight engagement for 2½" through 4" thread varies from 5½ turns to 6¾ turns.



asc-es.com

Building connections that last™