

INSTALLATION INSTRUCTIONS

BEFORE YOU BEGIN

NOTES

- Observe all local plumbing and building codes.
- Inspect waste and supply tubing; replace if necessary.
- If you are installing a new bath, install the drain before installing the bath. Refer to the manufacturer's installation instructions.
- Adjustable pop-up drain has removable parts.
- Drain "T" is reversible for vertical or horizontal drainage.

ORDERING INFORMATION

1-1/2" brass adjustable pop-up drain for 17" to 24" baths K-7169-AF

TOOLS REQUIRED

- Assorted screwdrivers
- Adjustable wrenches
- Pipe wrenches
- Pliers

MATERIALS REQUIRED

- Plumbers putty

ROUGHING-IN

K-7169-AF	17" BATH	X
	24" BATH	21-1/2"

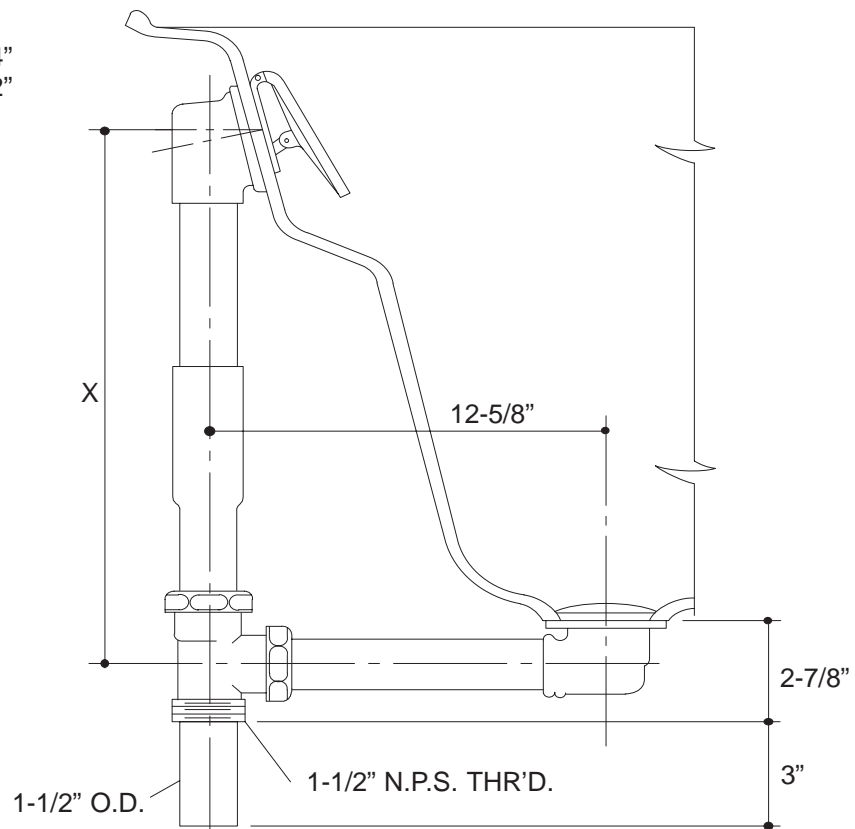


Fig. #1

INSTALLATION

INSTALL SPRAY ASSEMBLY

Apply a ring of plumbers putty around underside of strainer flange. Set flat, black gasket between drain ell and the bottom of the bath. Turn strainer into drain ell.

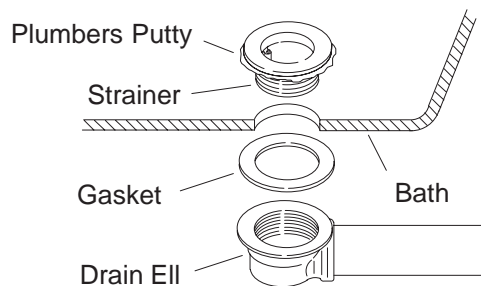


Fig. #2

Attach the black gasket to the overflow as shown. Make sure that the tapered end of the gasket is facing up.

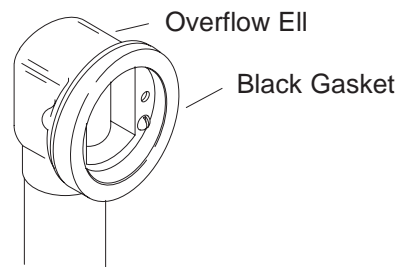


Fig. #3

Assemble coupling nuts and tapered gaskets on overflow and drain ell tubes. Note position of tapered gaskets on the tubes. Align parts with tee as shown. Insert tubes completely into tee. Align and hand tighten the coupling nuts.

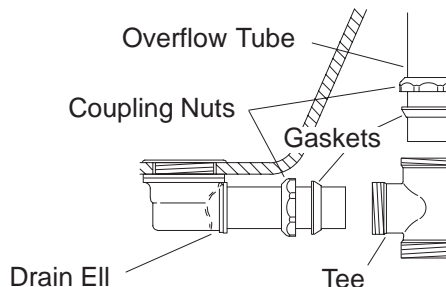


Fig. #4

Tighten drain ell securely by inserting pliers handles into top of strainer as shown. The handles will catch on bosses inside of strainer as the strainer is turned into drain ell. Make sure drain ell tube is facing the front of bath. Remove excess putty.

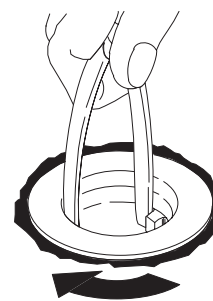


Fig. #5

Insert the overflow ell into the overflow tube. Align overflow ell with overflow hole in bath. Tighten all coupling nuts on the tee to secure the assembly.

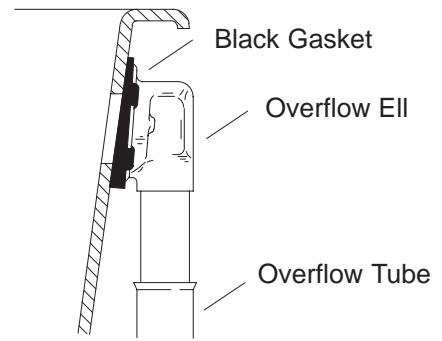


Fig. #6

Attach the tailpiece to the tee and tighten securely. Tailpiece may need to be cut for proper fit. Between 1" to 2" of tailpiece should fit inside the trap.

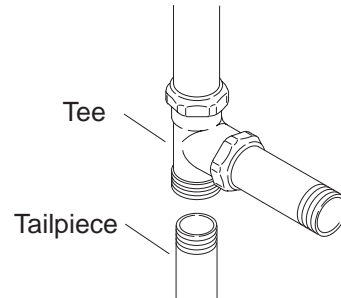


Fig. #7

Insert drain stopper into drain ell.

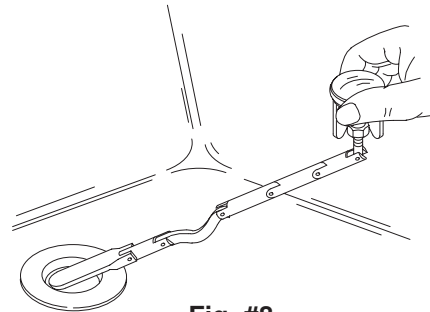


Fig. #8

Adjust drain stopper so the clearance between the bottom of the threaded rod and the floor of the drain ell is approximately 1/8".

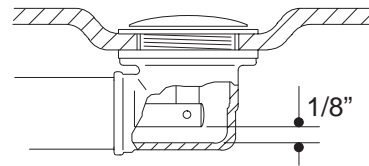


Fig. #9

If adjustment is required: Remove the stopper, and loosen the nut below stopper. Raise stopper by turning counter-clockwise or lower by turning clockwise.

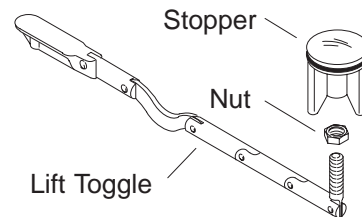


Fig. #10

From the plastic bag containing lift rod components, choose the rod that most comfortably extends to the length described below: Place the lift rod mechanism directly on the drain stopper. Adjust the assembly length so the eye of the lift rod is centered over either top hole of the overflow ell.

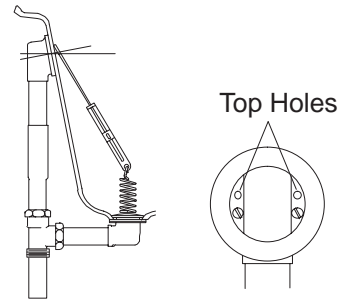


Fig. #11

Use pliers to spread top loop of lift rod apart. Insert end of loop into hole in end of overflow hood lever. Close lift rod loop with pliers.

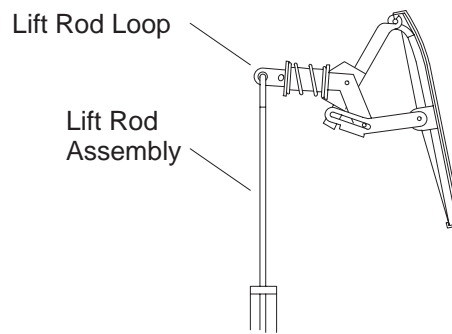


Fig. #12

Insert lift assembly into the overflow. Activate the toggle mechanism by lifting the cover assembly.

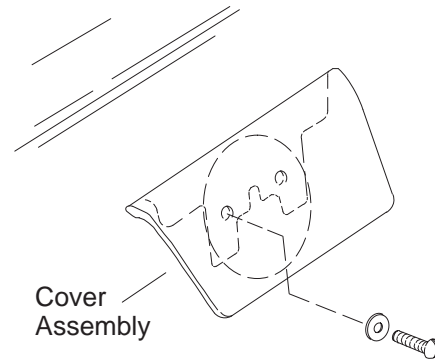


Fig. #13

If the stopper does not move, the lift assembly will have to be removed and the spring adjusted down. If the stopper lifts up more than 1/2", the lift assembly will have to be removed and the spring adjusted up. Lift up overflow hood and attach hood hinge to overflow ell with screws provided.

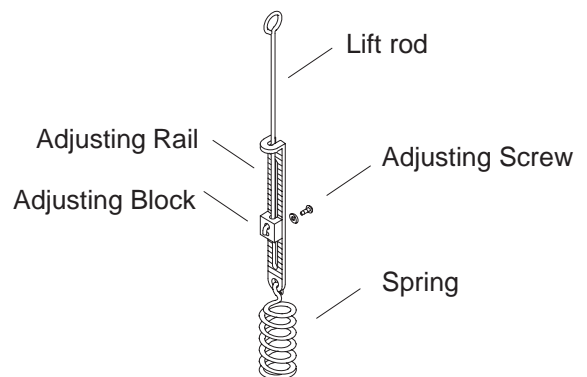


Fig. #14