



Buy it for looks. Buy it for life.®

There is more than 1 version of this model.
Page down to identify the version you have.

DESCRIPTION

- Metal construction with chrome
- 1/2" IPS connections

OPERATION

- Mini blade style handles
- Hot side counterclockwise to open (clockwise to close)
- Cold side clockwise to open (counterclockwise to close)

FLOW

- Flow is limited to 1.5 gpm max (5.7L/min) at 60 psi, for products made before October 2008 flow is limited to 2.2 gpm max (8.3 L/min)

CARTRIDGE

- 1224 cartridge design
- Nonmetallic and stainless steel material

STANDARDS

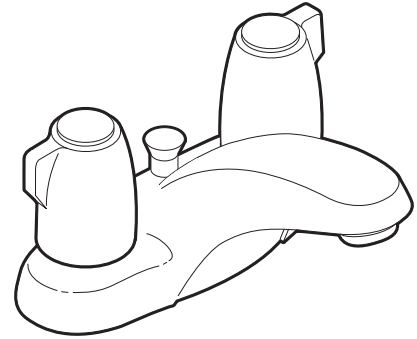
- Third party certified to WaterSense,® CSA B125.1, ASME A112.18.1, ANSI A117.1, and all applicable requirements referenced therein
- Certified to ANSI/NSF 61/9
- Contains no more than 0.25% weighted average lead content
- Complies with California Proposition 65 and with the Federal Safe Drinking Water Act

- **ADA**  for lever handles

WARRANTY

- Lifetime limited warranty against leaks, drips and finish defects to the original consumer purchaser
- 5 year warranty if used in commercial installations

Specifications



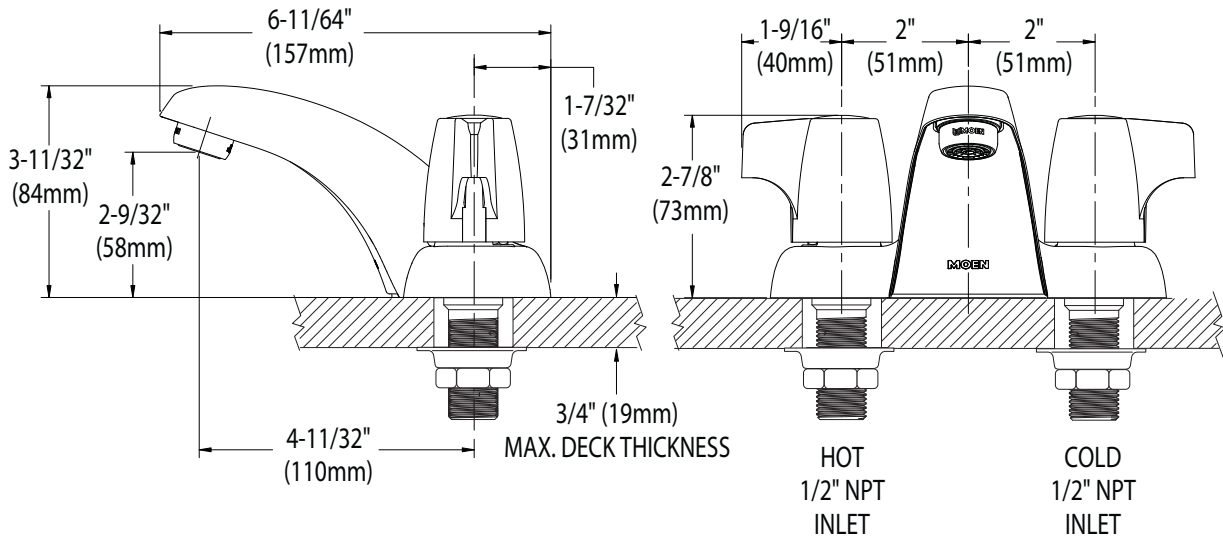
MOEN® Two-Handle Lavatory Faucet

**With 50/50 Waste Assembly
Bulk Pack (12 per carton) Models: 64970**

**Less Waste Assembly
Bulk Pack (12 per carton) Models: 64950**

NOTE: WITH 50/50 WASTE MODEL DESIGNED TO BE INSTALLED THROUGH 3, 1" MIN. DIA. HOLES 2" ON CENTER

NOTE: LESS WASTE MODEL DESIGNED TO BE INSTALLED THROUGH 2, 1" MIN. DIA. HOLES 4" ON CENTER



CRITICAL DIMENSIONS

(DO NOT SCALE)



Buy it for looks. Buy it for life.®

Specifications

DESCRIPTION

- Metal construction with chrome
- 1/2" IPS connections

OPERATION

- Small lever style handles
- Hot side counterclockwise to open (clockwise to close)
- Cold side clockwise to open (counterclockwise to close)


FLOW

- Flow is limited to 1.5 gpm max (5.7L/min) at 60 psi, for products made before October 2008 flow is limited to 2.2 gpm max (8.3 L/min)

CARTRIDGE

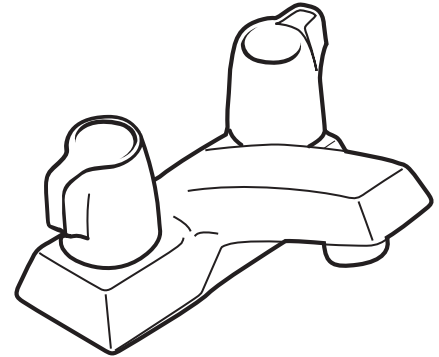
- 1224 cartridge design
- Nonmetallic and stainless steel material

STANDARDS

- Third party certified to WaterSense,® CSA B125.1, ASME A112.18.1, ANSI A117.1, and all applicable requirements referenced therein
- Certified to ANSI/NSF 61/9
- Complies with California Proposition 65 and with the Federal Safe Drinking Water Act
- **ADA**  for lever handles

WARRANTY

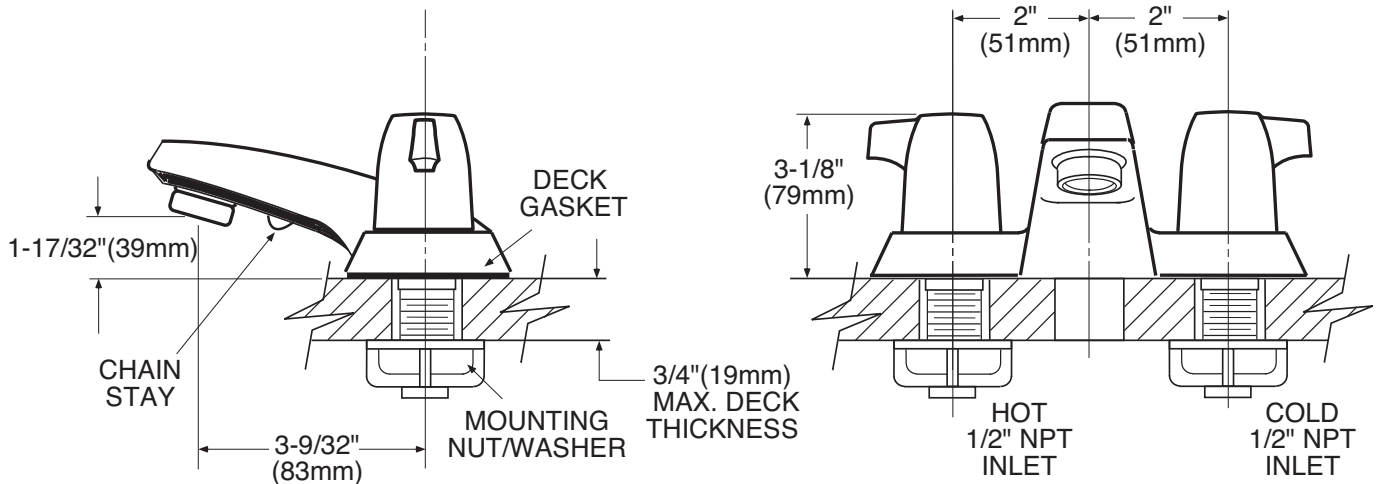
- Lifetime limited warranty against leaks, drips and finish defects to the original consumer purchaser
- 5 year warranty if used in commercial installations



MOEN®
Two-Handle Lavatory Faucet
Less Waste Assembly

Models: 64950
Bulk Pack (12 per carton)

NOTE: THIS FAUCET IS DESIGNED TO BE INSTALLED THRU 3 HOLES, 1" MIN. DIA.



CRITICAL DIMENSIONS

(DO NOT SCALE)