
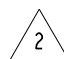

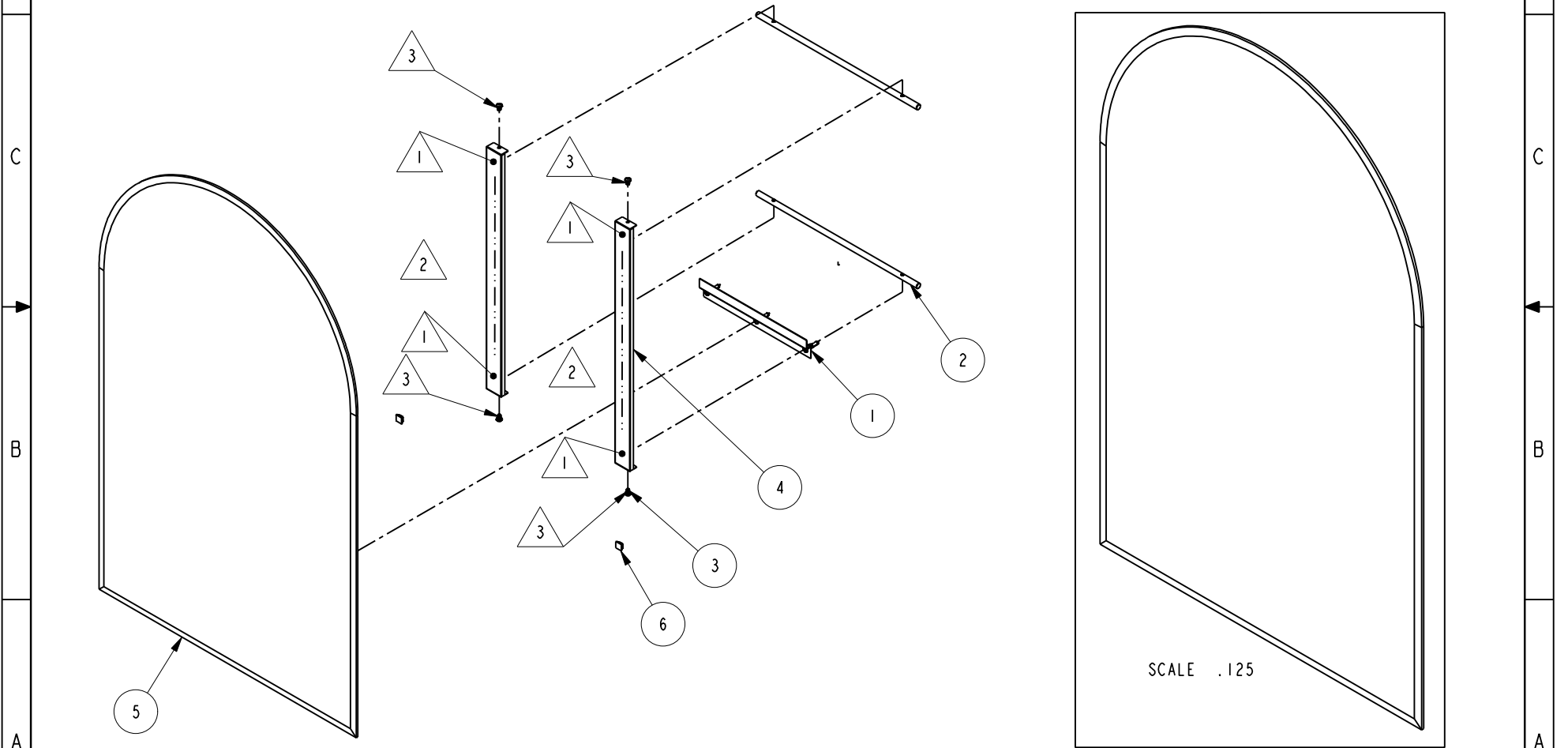


BILL OF MATERIAL (CURRENT LEVEL)				
ITEM	PT/ASSY	DESCRIPTION	TYPE	QTY.
1	MTM-002	MOUNTING KIT	ASSEMBLY	1
2	MTM-011	FRAMELESS MIRROR TIEROD	PART	2
3	92398	M5 X .8 X 8 Pan Head Phillips Machine Screw Zinc-Plated Steel	PART	4
4	MTM-003	MIRROR VERTICAL CHANNEL	PART	2
5	C1142	MIRROR GLASS	PART	1
6	91477	ADHESIVE BACKED BUMPER	PART	2

-  LOCATION FOR VHB TAPE
-  APPLY PLAMER MIRROR MASTIC
-  APPLY LOCTITE 680.



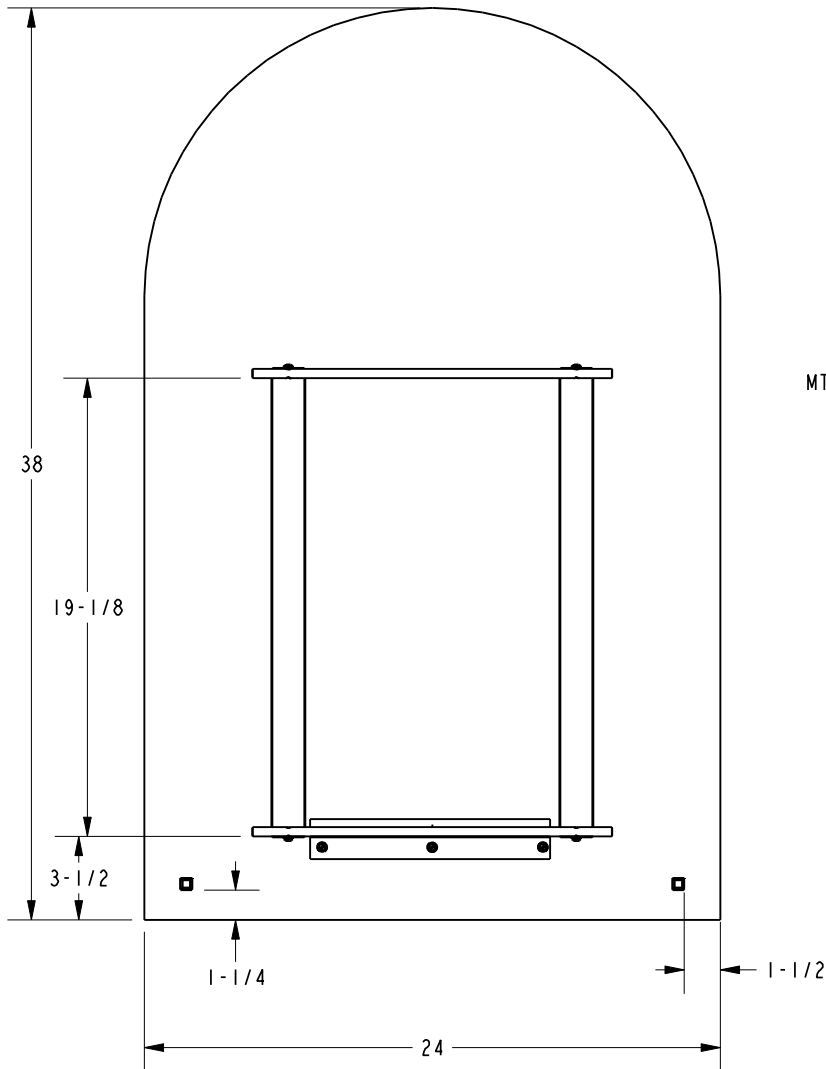
COPYRIGHT 2005 BRASSTECH, INC. THESE DRAWINGS AND THE DESIGNS DEPICTED HEREIN ARE THE PROPRIETARY PROPERTY OF BRASSTECH. ANY USE OR REPRODUCTION IS SUBJECT TO THE EXPRESS APPROVAL OF BRASSTECH. UNAUTHORIZED USE IS STRICTLY PROHIBITED. ALL RIGHTS RESERVED.

BRASSTECH
INCORPORATED
2001 E. CARNEGIE AVE.
SANTA ANA, CA 92705
(949) 417-5207

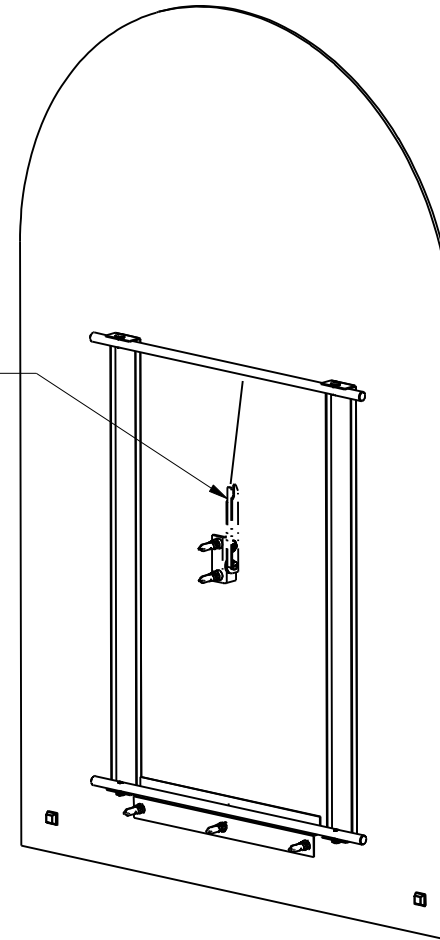
LARGE FRAMELESS BEVELED MIRROR

ASSY. NO.		1142N		-	-	-
SCALE .100	REF.	SHEET 1 OF 3	REV	REV DESC	DATE	
			A	EN-145B	02/04/10	

SPECIFICATION DWG



MTM-009 SOLD SEPARATELY

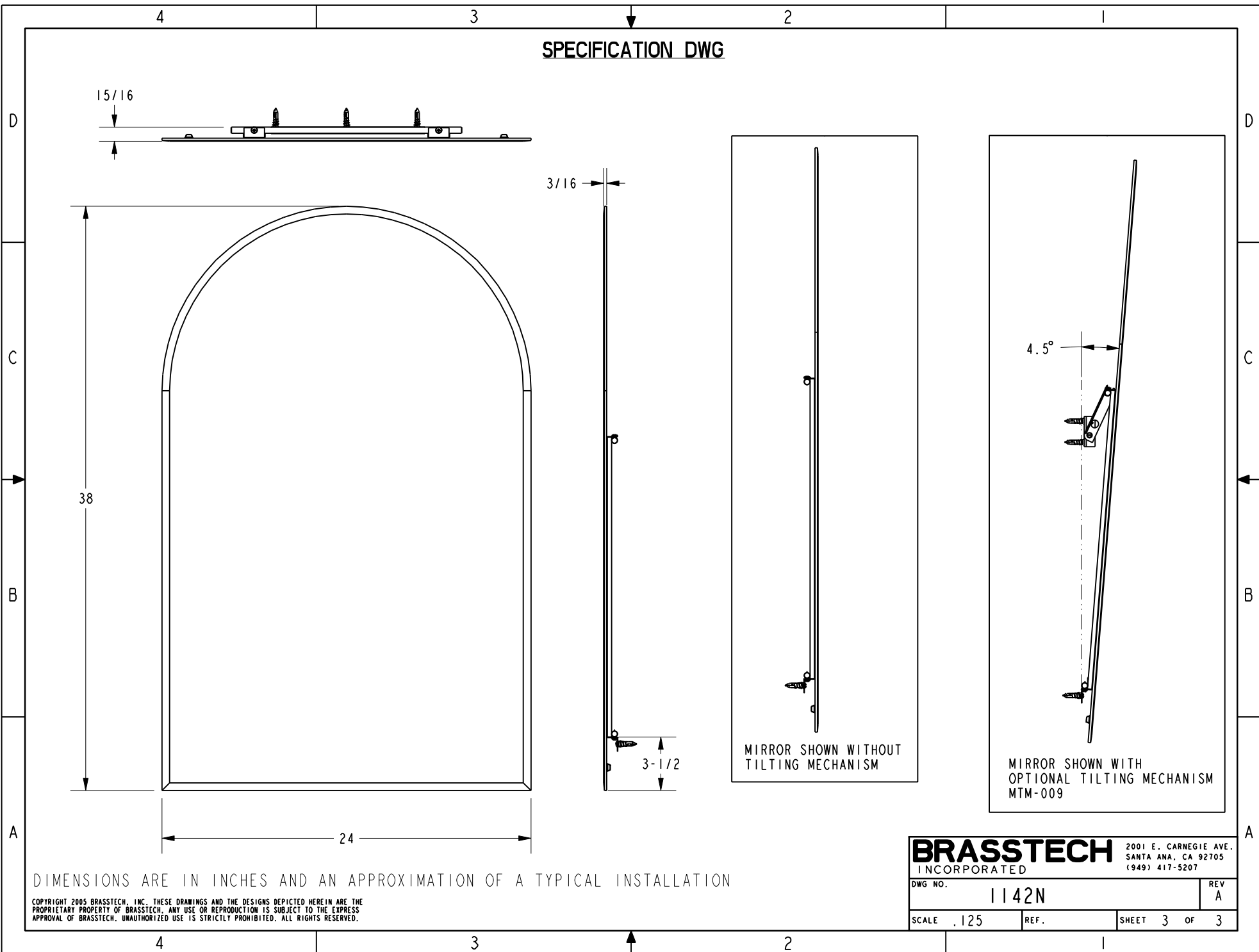


DIMENSIONS ARE IN INCHES AND AN APPROXIMATION OF A TYPICAL INSTALLATION

COPYRIGHT 2005 BRASSTECH, INC. THESE DRAWINGS AND THE DESIGNS DEPICTED HEREIN ARE THE PROPRIETARY PROPERTY OF BRASSTECH. ANY USE OR REPRODUCTION IS SUBJECT TO THE EXPRESS APPROVAL OF BRASSTECH. UNAUTHORIZED USE IS STRICTLY PROHIBITED. ALL RIGHTS RESERVED.

BRASSTECH		2001 E. CARNEGIE AVE.	
INCORPORATED		SANTA ANA, CA 92705	
		(949) 417-5207	
DWG NO.	1142N	REV	A
SCALE	.125	REF.	SHEET 2 OF 3

SPECIFICATION DWG



DIMENSIONS ARE IN INCHES AND AN APPROXIMATION OF A TYPICAL INSTALLATION

COPYRIGHT 2005 BRASSTECH, INC. THESE DRAWINGS AND THE DESIGNS DEPICTED HEREIN ARE THE PROPRIETARY PROPERTY OF BRASSTECH. ANY USE OR REPRODUCTION IS SUBJECT TO THE EXPRESS APPROVAL OF BRASSTECH. UNAUTHORIZED USE IS STRICTLY PROHIBITED. ALL RIGHTS RESERVED.

BRASSTECH		2001 E. CARNEGIE AVE. SANTA ANA, CA 92705 (949) 417-5207	
DWG NO.	1142N	REV	A
SCALE	.125	REF.	SHEET 3 OF 3