

4

3

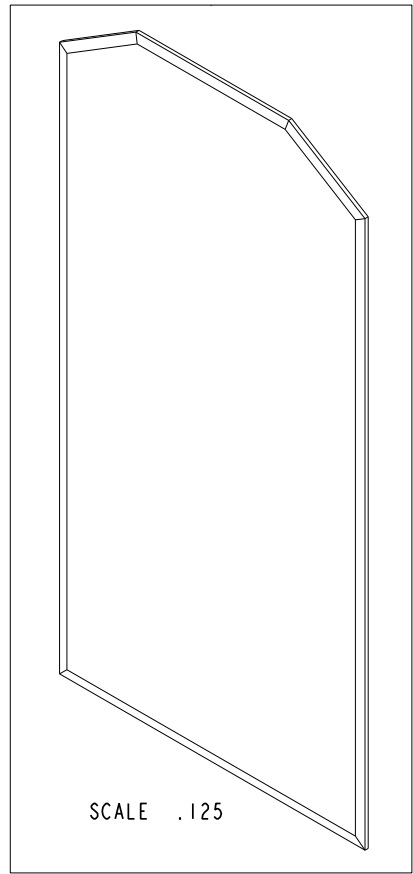
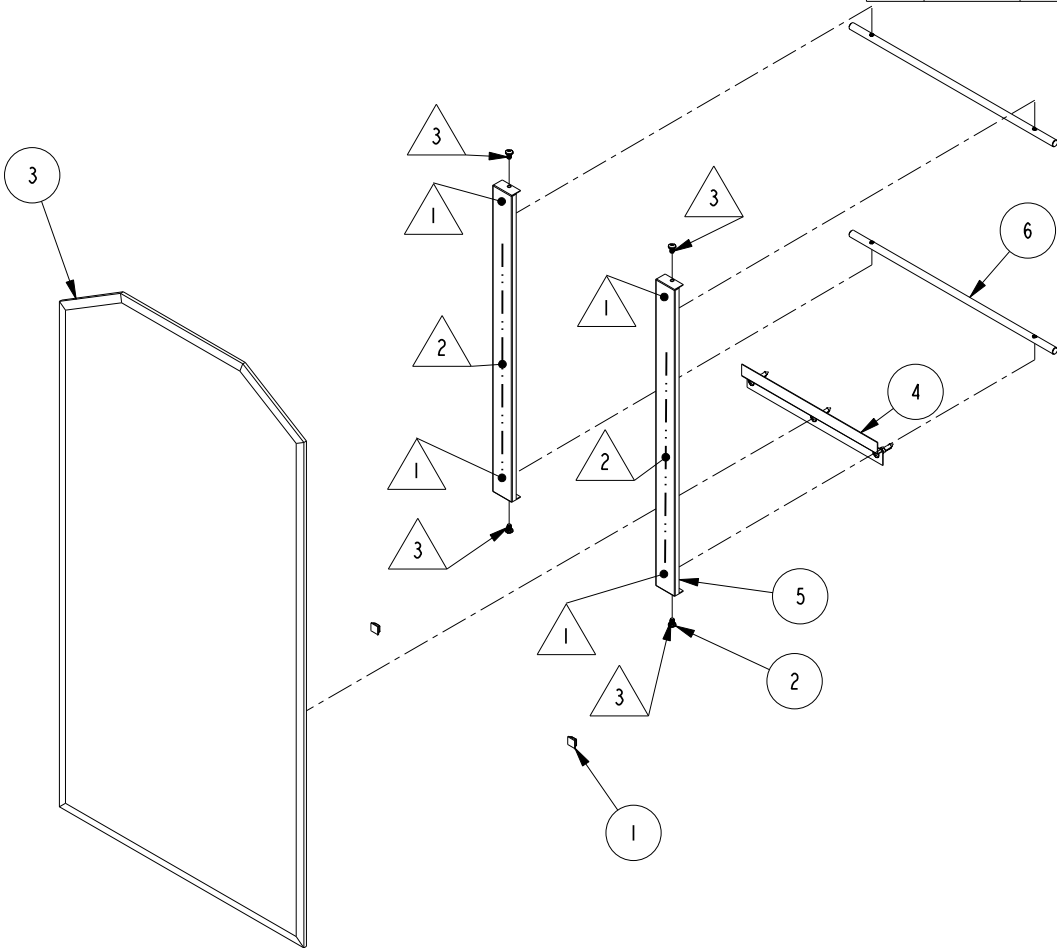
2

1

BILL OF MATERIAL (CURRENT LEVEL)

ITEM	PT/ASSY	DESCRIPTION	TYPE	QTY.
1	91477	ADHESIVE BACKED BUMPER	PART	2
2	92398	SCRW, M5 X .8 X 8 PHIL PAN HD Zn PLATED	PART	4
3	C0641	MIRROR GLASS	PART	1
4	MTM-002	MOUNTING KIT	ASSEMBLY	1
5	MTM-003	MIRROR VERTICAL CHANNEL	PART	2
6	MTM-011	FRAMELESS MIRROR TIEROD	PART	2

- △ 1 LOCATION FOR VHB TAPE
- △ 2 APPLY PLAMER MIRROR MASTIC
- △ 3 APPLY LOCTITE 680.



COPYRIGHT 2005 GINGER. THESE DRAWINGS AND THE DESIGNS DEPICTED HEREIN ARE THE PROPRIETARY PROPERTY OF GINGER. ANY USE OR REPRODUCTION IS SUBJECT TO THE EXPRESS APPROVAL OF GINGER. UNAUTHORIZED USE IS STRICTLY PROHIBITED. ALL RIGHTS RESERVED.

**GINGER**  
 2001 E. CARNEGIE AVE.  
 SANTA ANNA CA 92705  
 (949) 417-5207

EMPIRE SMALL FRAMELESS BEVELED MIRROR

ASSY. NO.	641N		
B	EN-2852	01/09/15	
A	EN-1460	02/09/10	
SCALE .100	REF.	SHEET 1 OF 3	REV REV DESC DATE

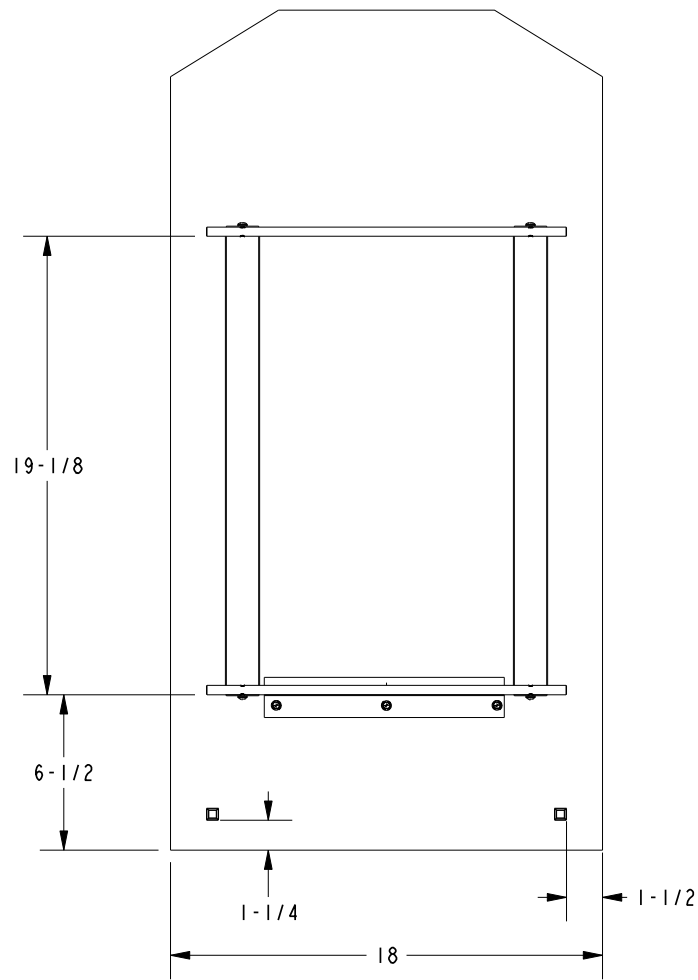
4

3

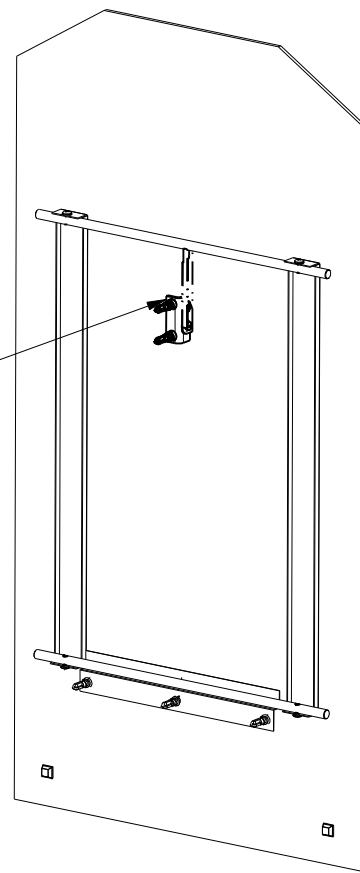
2

1

**SPECIFICATION DWG**



MTM-009 SOLD SEPARATELY

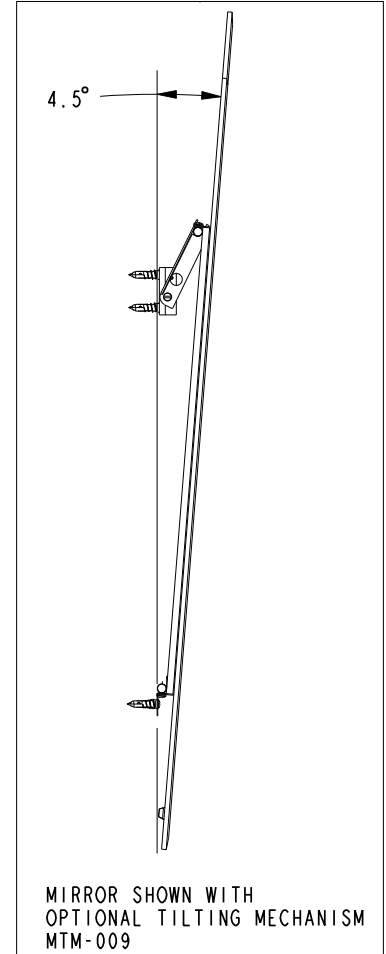
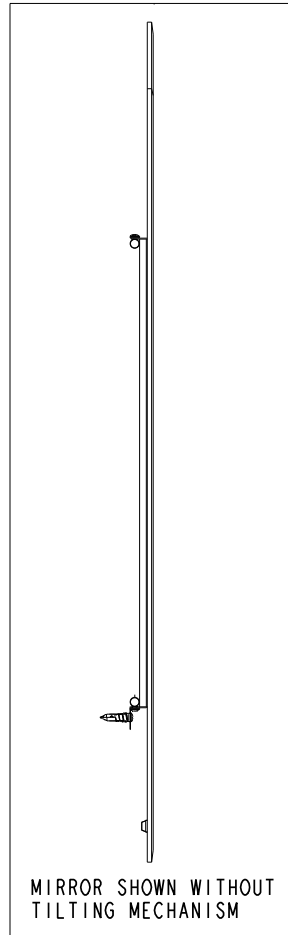
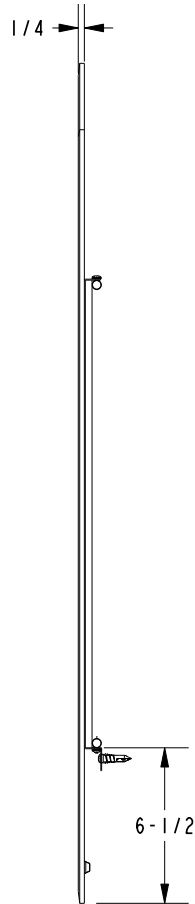
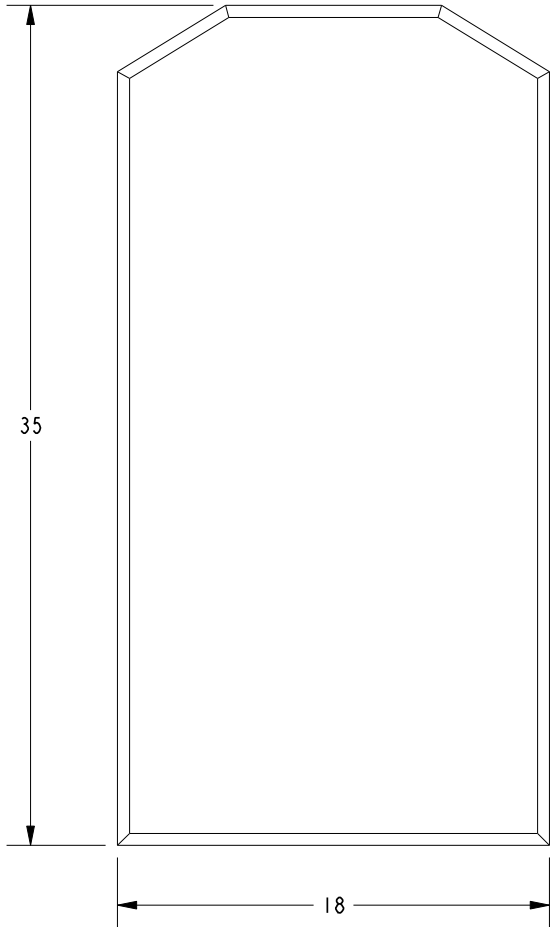
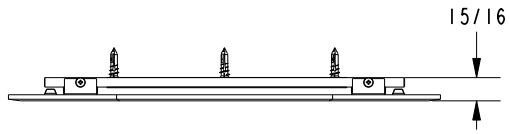


DIMENSIONS ARE IN INCHES AND AN APPROXIMATION OF A TYPICAL INSTALLATION

COPYRIGHT 2005 GINGER. THESE DRAWINGS AND THE DESIGNS DEPICTED HEREIN ARE THE PROPRIETARY PROPERTY OF GINGER. ANY USE OR REPRODUCTION IS SUBJECT TO THE EXPRESS APPROVAL OF GINGER. UNAUTHORIZED USE IS STRICTLY PROHIBITED. ALL RIGHTS RESERVED.

<b>GINGER</b>		2001 CARNEGIE AVE. SANTA ANA CA 92705 (949) 417-5207	
DWG NO.	<b>641N</b>	REV	<b>B</b>
SCALE	.125	REF.	SHEET 2 OF 3

**SPECIFICATION DWG**



DIMENSIONS ARE IN INCHES AND AN APPROXIMATION OF A TYPICAL INSTALLATION

COPYRIGHT 2005 GINGER. THESE DRAWINGS AND THE DESIGNS DEPICTED HEREIN ARE THE PROPRIETARY PROPERTY OF GINGER. ANY USE OR REPRODUCTION IS SUBJECT TO THE EXPRESS APPROVAL OF GINGER. UNAUTHORIZED USE IS STRICTLY PROHIBITED. ALL RIGHTS RESERVED.

<b>GINGER</b>		2001 CARNEGIE AVE. SANTA ANA CA 92705 (949) 417-5207	
DWG NO.	<b>641N</b>	REV	<b>B</b>
SCALE	.125	REF.	SHEET 3 OF 3