

BRASSTECH

Tub & Shower Waste & Overflow Trip Lever Drain Kit

275

Features

- Solid brass construction
- Two hole 3" diameter faceplate
- Includes trip lever faceplate and decorative mounting screws
- Single hole 3" diameter drain cover
- Includes drain cover and decorative mounting screw
- Intended for use with Gerber-type Strainer
- Complements various product series

Codes / Standards Compliance

Meets or exceeds the following at date of manufacture:

- All applicable US Federal and State material regulations



Colors / Finishes

- 10B: Oil Rubbed Bronze
- 15: Polished Nickel
- 15S: Satin Nickel - PVD
- 26: Polished Chrome
- Other: Refer to the Newport Brass catalog for additional color/finish options.

Specified Model

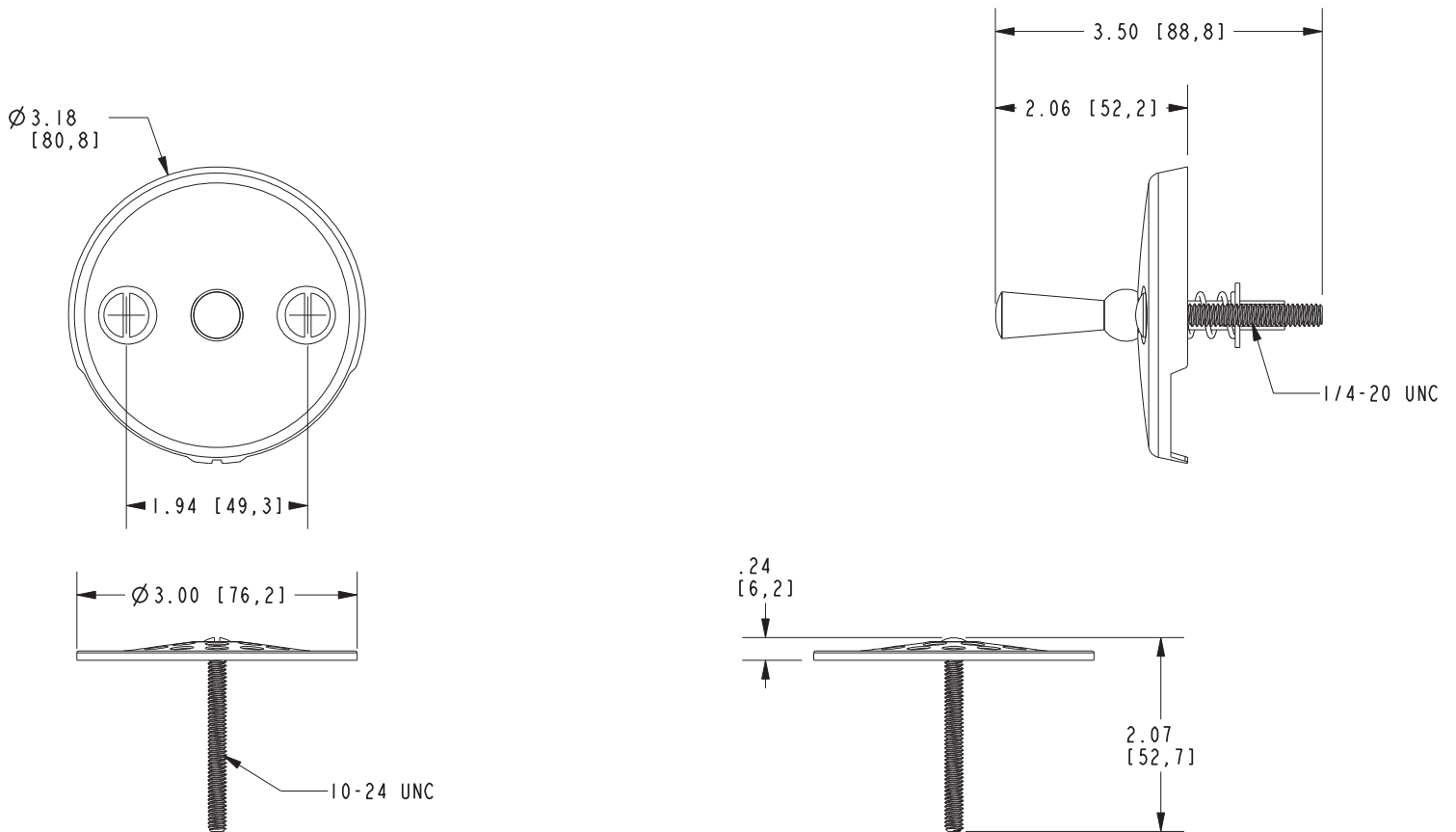
Model	Description	Colors Finishes
275	Tub & Shower Waste & Overflow Trip Lever Drain Kit	<input type="checkbox"/> 10B <input type="checkbox"/> 15 <input type="checkbox"/> 15S <input type="checkbox"/> 26 <input type="checkbox"/> Other

Product Specification Add "Color / Finish" suffix to Model number, below.

The Waste & Overflow Drain Trip Lever Faceplate shall be made of solid brass construction. Product shall include trip lever faceplate with decorative mounting screws for installation. Product shall include drain cover with decorative mounting screw for installation. The Waste & Overflow Toe-Activated Tub Drain Set shall be Newport Brass Model 275/____.

275

Product Dimensions are provided for reference only. For specific product installation guidelines, please reference the Installation Instructions of the product being installed.



Brasstech Tub & Shower Waste & Overflow 275