

4

3

2

1

BILL OF MATERIAL (CURRENT LEVEL)

ITEM	PT/ASSY	DESCRIPTION	TYPE	QTY.
1	272	TOE ACTIVATED TUB DR	ASSEMBLY	1
2	265	FACEPLATE FOR W/O	ASSEMBLY	1

D

D

C

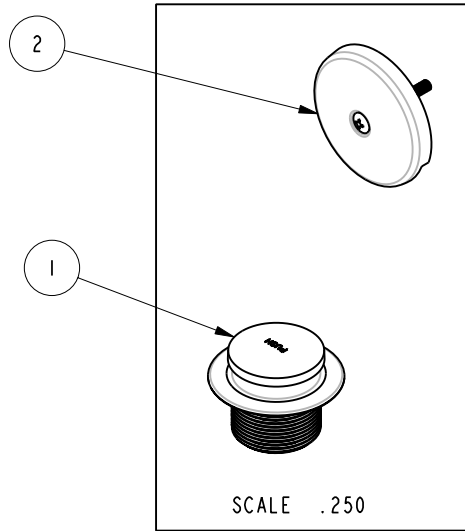
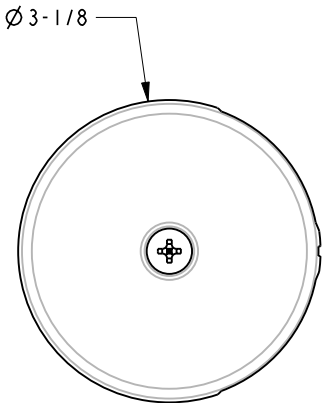
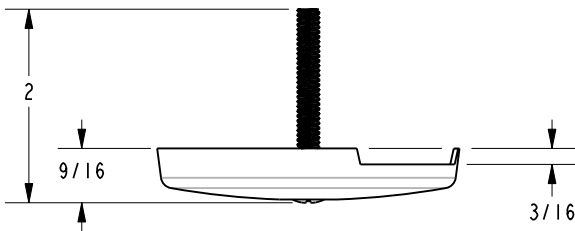
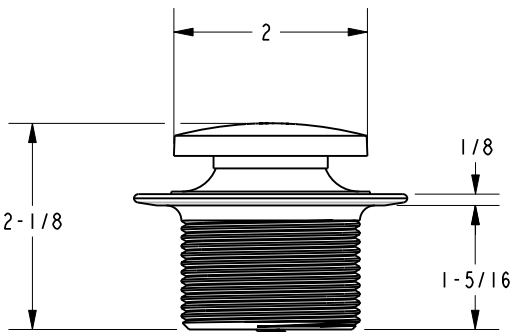
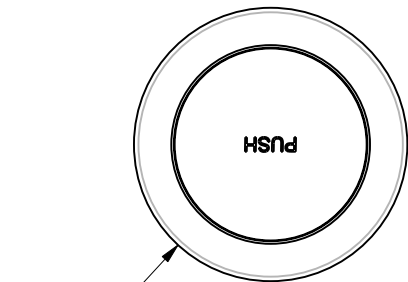
C

B

B

A

A



COPYRIGHT 2005 BRASSTECH, INC. THESE DRAWINGS AND THE DESIGNS DEPICTED HEREIN ARE THE PROPRIETARY PROPERTY OF BRASSTECH. ANY USE OR REPRODUCTION IS SUBJECT TO THE EXPRESS APPROVAL OF BRASSTECH. UNAUTHORIZED USE IS STRICTLY PROHIBITED. ALL RIGHTS RESERVED.

**BRASSTECH**  
 INCORPORATED  
 2001 E. CARNEGIE AVE.  
 SANTA ANA, CA 92705  
 (949) 417-5207

TOE ACTIVATED DRN KT W/ PLT W/O

ASSY. NO.	273	-	-	-
SCALE	.500	REF.	-	SHEET 1 OF 1
REV		REV DESC		DATE

4

3

2

1