

4

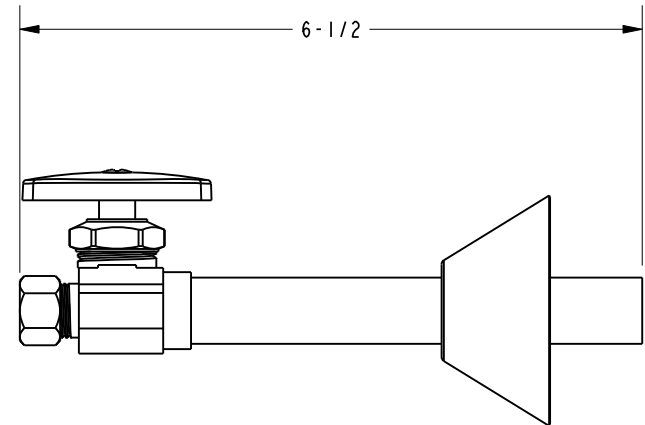
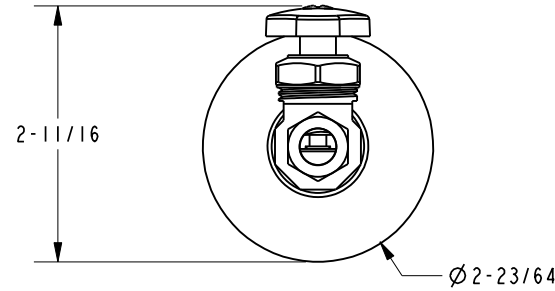
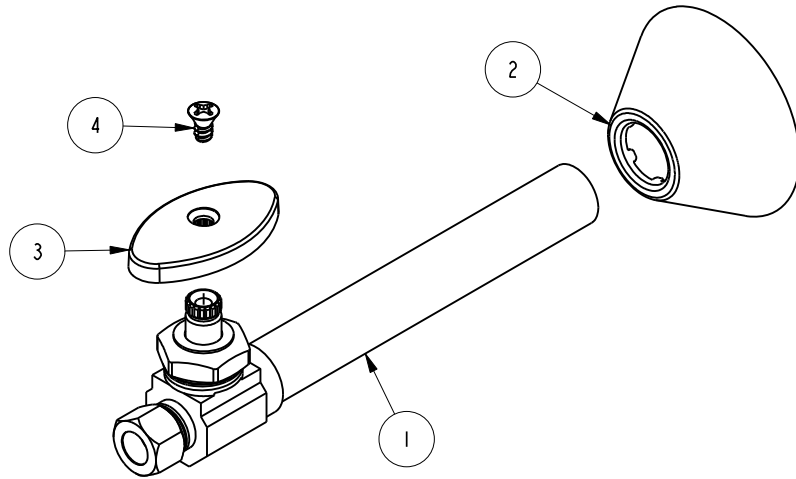
3

2

1

BILL OF MATERIAL (CURRENT LEVEL)

ITEM	PT/ASSY	DESCRIPTION	TYPE	QTY.
1	6-417	S.V. 1/2" SWTX 3/8" CMP	ASSEMBLY	1
2	50854	BELL FLANGE (444)	PART	1
3	50355	HANDLE	PART	1
4	92073	SCRW, #10 X 3/8" PHIL OVAL HD BRASS	PART	1



COPYRIGHT 2005 BRASSTECH, INC. THESE DRAWINGS AND THE DESIGNS DEPICTED HEREIN ARE THE PROPRIETARY PROPERTY OF BRASSTECH. ANY USE OR REPRODUCTION IS SUBJECT TO THE EXPRESS APPROVAL OF BRASSTECH. UNAUTHORIZED USE IS STRICTLY PROHIBITED. ALL RIGHTS RESERVED.

**BRASSTECH**  
INCORPORATED

2001 CARNEGIE AVE.  
SANTA ANA, CA 92705  
(949) 417-5207

STRAIGHT VALVE 1/2" SWT 3/8"

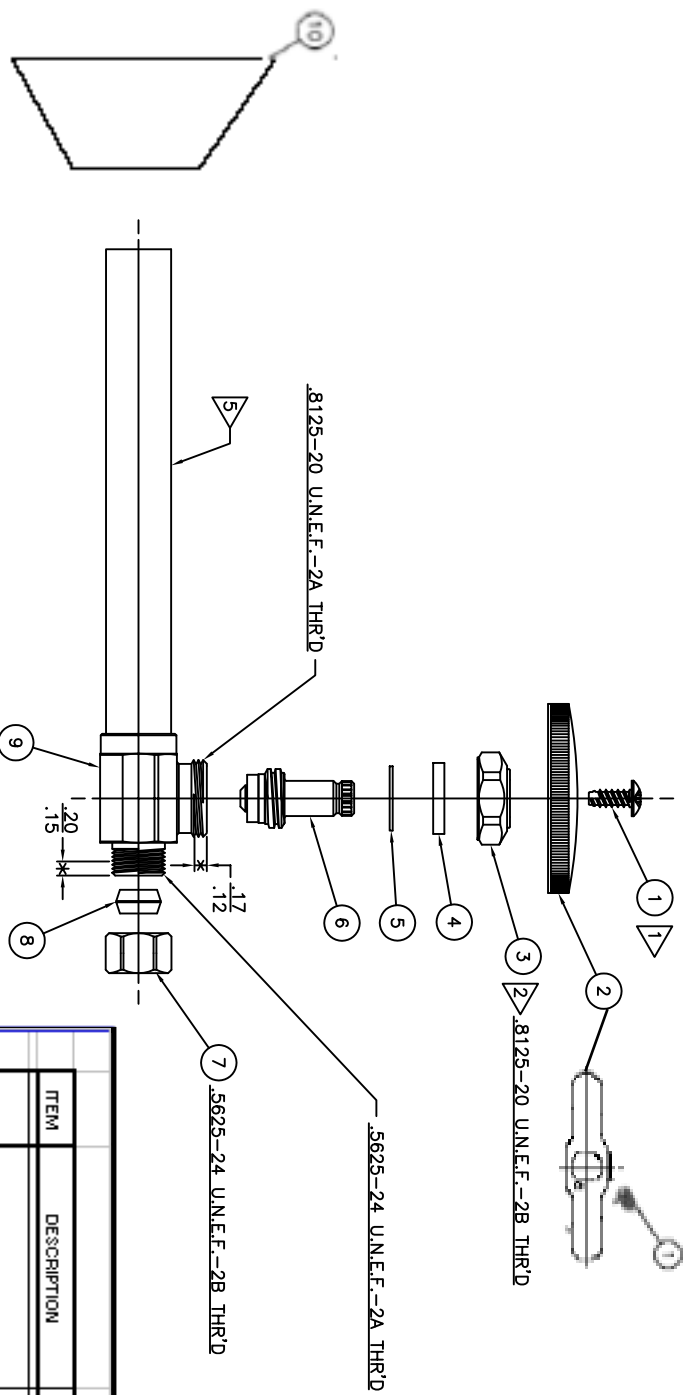
ASSY. NO.	417	-	-	-
SCALE	.250	REF.	-	-
SHEET	1	OF	2	REV
REV	EN-2537	REV DESC	05/17/13	DATE

4

3

2

1



COMPONENT TO USE		ASSEMBLY TO BUILD		
ITEM	DESCRIPTION	PN	SUB-ASM	ASM
1	SCREW #10 X 3/8	32073	6-417	417
	SCREW #8-32X1/8 SET HD	32000		417X
2	OVVAL HANDLE	50355		1
	CROSS HANDLE	50356		1
3	BONNET NUT	50675	1	1
4	NYTRL BONNET PK	50350	1	1
5	WASHER PLASTIC	50685	1	1
6	STEM/WASHER ASM BRN	50674	1	1
7	3/8 OD OUTLET COMP NUT	50677	1	1
8	3/8" OD OUTLET COMP SLV	50359	1	1
9	STRAIGHT VALVE BODY	50686	1	1
10	BELL FLANGE	444	1	1

- NOTES:
- 1 BREAKAW
  - 2 BREAKAWY TORQUE 25 ±10 IN-LB.
  - 3 AREAS MARKED WITH \* ARE TO BE FREE OF POWDER COAT.

- 5 KEEP TUBE FREE OF NICKS AND DINGS.

MATERIAL	BRASS	UNLESS OTHERWISE SPECIFIED DIMENSIONS ARE IN INCHES TOLERANCES ARE:	BRASSTECH INCORPORATED		800 E. DORRIDGE AVE.
NEXT ASSY	USED DN	FRACTIONS	DECIMALS	ANGLES	SANTA ANA, CA 92700
APPLICATION		±1/64"	±0.1	±1/2°	(949) 417-5897
		.XX ± 0.001			
		DID NOT SCALE DRAWING		DWG NO	417_417X
		CHECKED	J.WOLTASZEK	7/27/06	SCALE NONE
		APPROVED	J.WOLTASZEK	7/27/06	REF.
FINISH	ALL				SHEET 2 OF 2
					REV 2