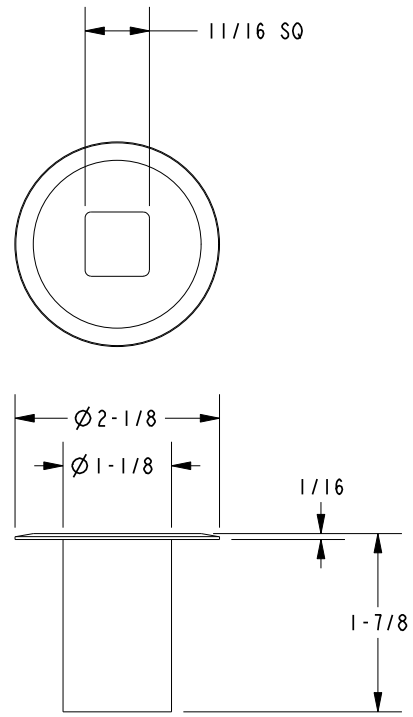
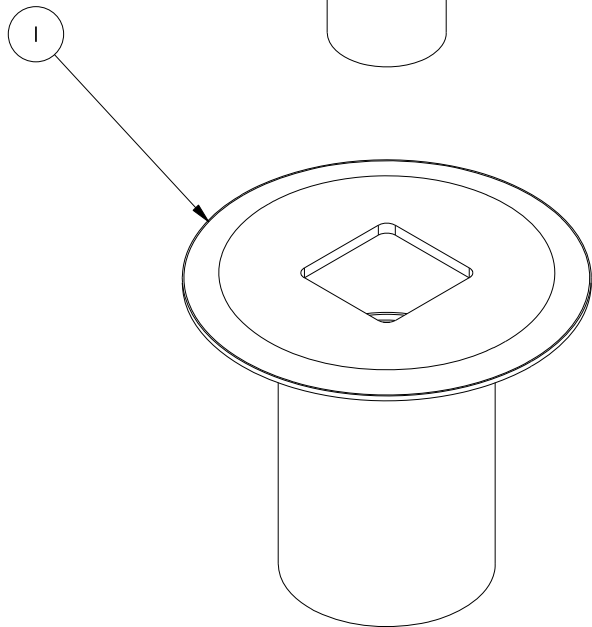
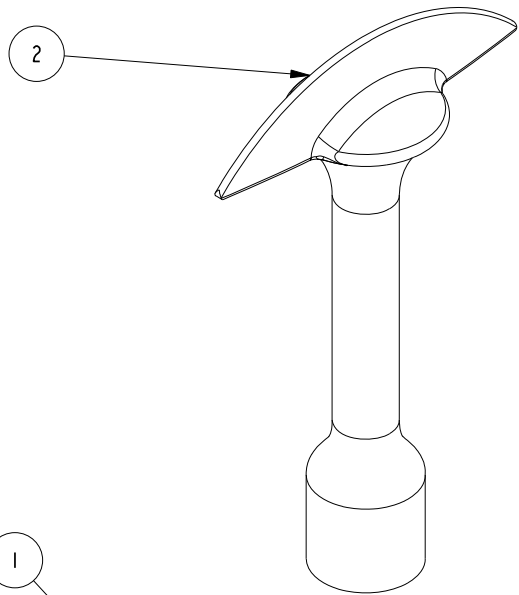
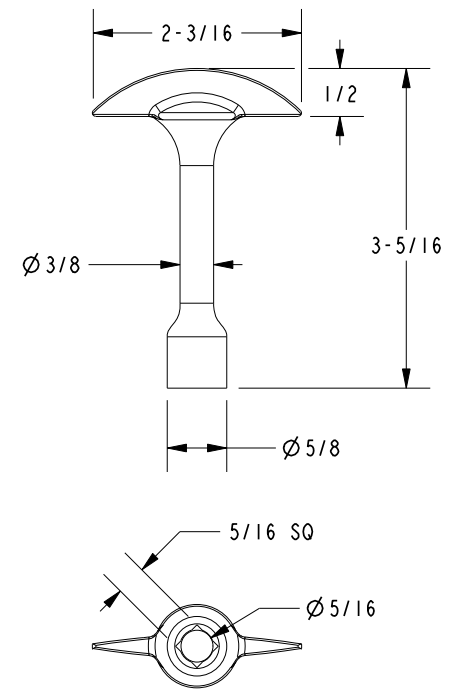


BILL OF MATERIAL (CURRENT LEVEL)				
ITEM	PT/ASSY	DESCRIPTION	TYPE	QTY.
1	50416	FLANGE LOG LIGHTER	PART	1
2	50417	KEY LOG LIGHTER SHORT	PART	1



SCALE .500



SCALE .500

COPYRIGHT 2005 BRASSTECH, INC. THESE DRAWINGS AND THE DESIGNS DEPICTED HEREIN ARE THE PROPRIETARY PROPERTY OF BRASSTECH. ANY USE OR REPRODUCTION IS SUBJECT TO THE EXPRESS APPROVAL OF BRASSTECH. UNAUTHORIZED USE IS STRICTLY PROHIBITED. ALL RIGHTS RESERVED.

BRASSTECH
INCORPORATED

2001 E. CARNEGIE AVE.
SANTA ANA, CA 92705
(949) 417-5207

LOG LIGHTER

ASSY. NO. 510

SCALE 1.000

REF. -

SHEET 1 OF 1

REV

REV DESC

DATE

EN-2540 06/03/13