

4

3

2

1

D

D

C

C

B

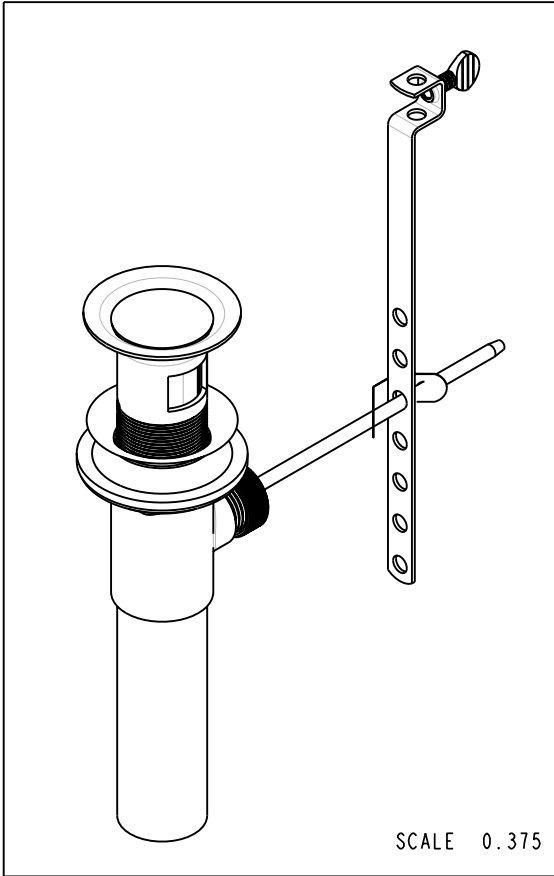
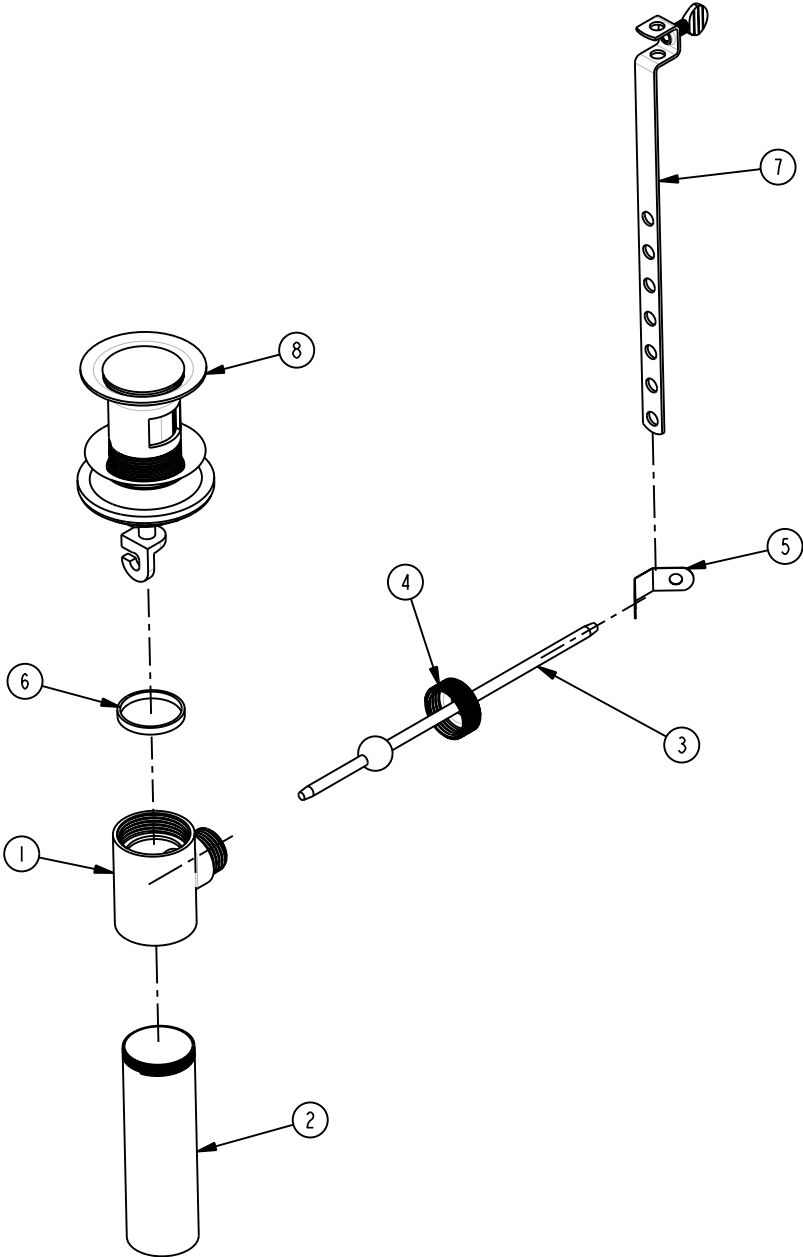
B

A

A

BILL OF MATERIAL (CURRENT LEVEL)

ITEM	PT/ASSY	DESCRIPTION	TYPE	QTY.
1	10203	UPPER WASTE	PART	1
2	10204	LOWER WASTE TUBE	PART	1
3	10205	BALL/ROD	PART	1
4	10208	BALL/ROD NUT	PART	1
5	10210	CLIP FOR POP-UP ROD	PART	1
6	91054	WSHR PLST 26MMX30MMX	PART	1
7	1-044	POP-UP DRAIN	ASSEMBLY	1
8	2-214	DRAIN ASSEMBLY, TRIM ON	ASSEMBLY	1



SCALE 0.375

COPYRIGHT 2003 BRASSTECH, INC. THESE DRAWINGS AND THE DESIGNS DEPICTED HEREIN ARE THE PROPRIETARY PROPERTY OF BRASSTECH. ANY USE OR REPRODUCTION IS SUBJECT TO THE EXPRESS APPROVAL OF BRASSTECH. UNAUTHORIZED USE IS STRICTLY PROHIBITED. ALL RIGHTS RESERVED.

BRASSTECH
 INCORPORATED
 2001 E. CARNEGIE AVE.
 SANTA ANA, CA 92705
 (949) 417-5207

POP UP ASSEMBLY

ASSY. NO.	325		
SCALE 0.300	REF. -	SHEET 1 OF 2	REV
			REV DESC
			DATE

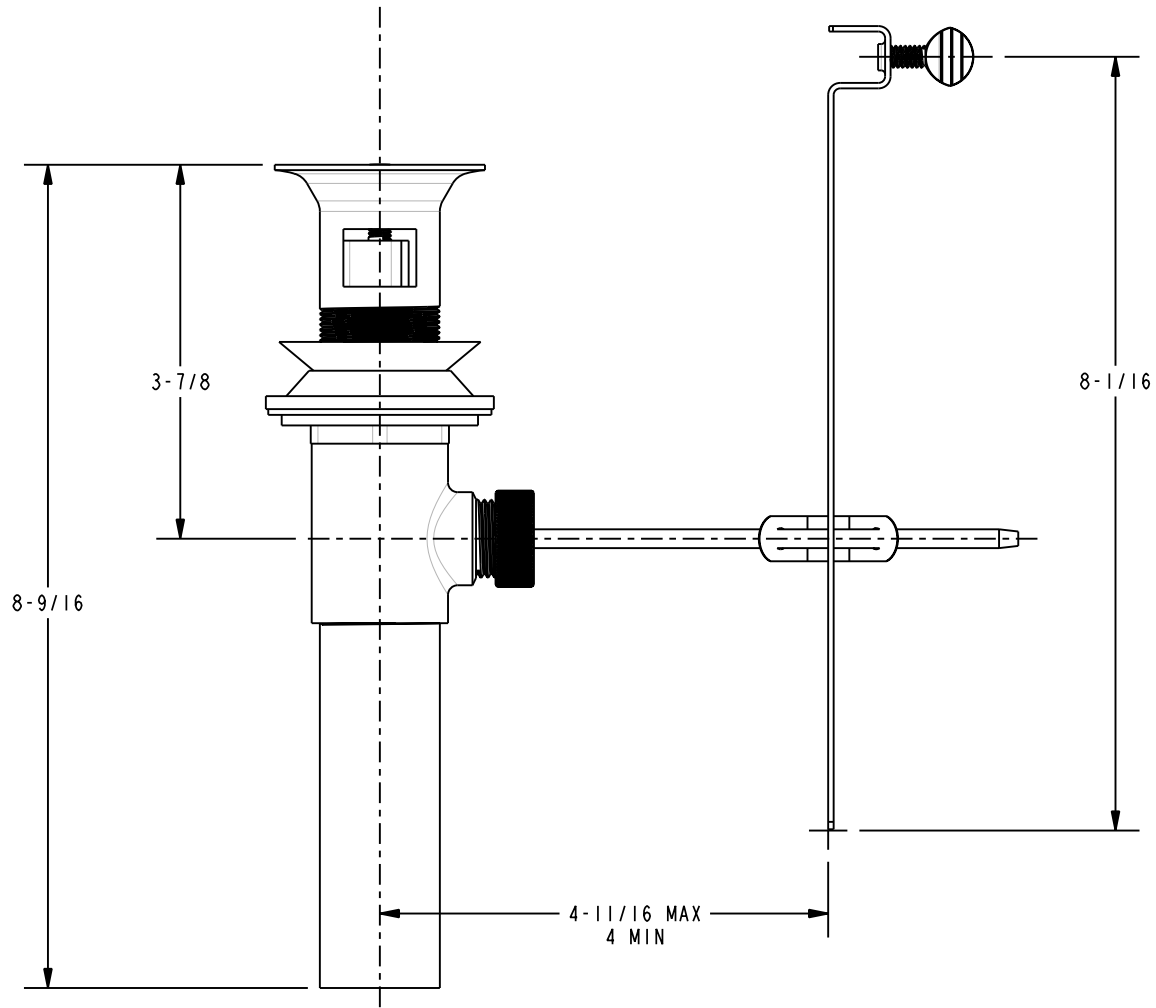
4

3

2

1

SPECIFICATION DWG



SCALE 0.500

DIMENSIONS ARE IN INCHES AND AN APPROXIMATION OF A TYPICAL INSTALLATION

COPYRIGHT 2004 BRASSTECH, INC. THESE DRAWINGS AND THE DESIGNS DEPICTED HEREIN ARE THE PROPRIETARY PROPERTY OF BRASSTECH. ANY USE OR REPRODUCTION IS SUBJECT TO THE EXPRESS APPROVAL OF BRASSTECH. UNAUTHORIZED USE IS STRICTLY PROHIBITED. ALL RIGHTS RESERVED.

BRASSTECH		2001 E. CARNEGIE AVE.	
INCORPORATED		SANTA ANA, CA 92705	
		(949) 417-5207	
DWG NO.	325	REV	A
SCALE	0.300	REF.	-
		SHEET	2 OF 2