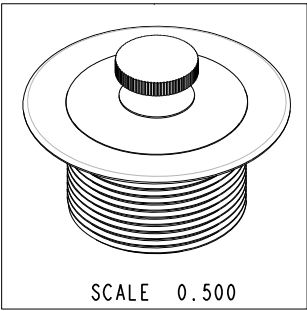
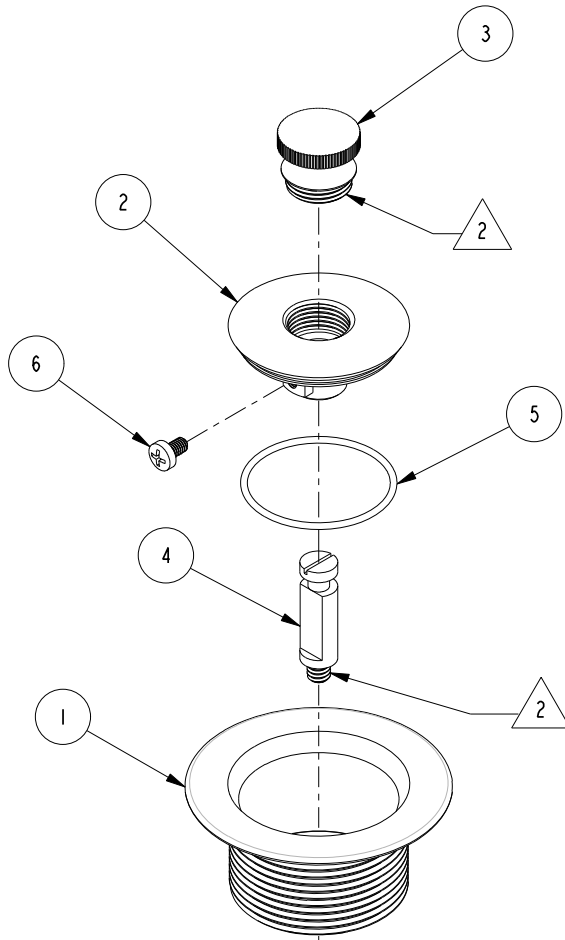


NOTES:

- 1. FIT / FORM / FUNCTION SHALL FOLLOW PS-E.008.
- 2. APPLY ADHESIVE LOCTITE 680 OR EQUIVALENT.



BILL OF MATERIAL (CURRENT LEVEL)				
ITEM	PT/ASSY	DESCRIPTION	TYPE	QTY.
1	50268	BODY FOR 270	PART	1
2	50269	STOPPER LIFT & TURN	PART	1
3	50270	KNOB	PART	1
4	50625	STOPPER POST	PART	1
5	91159	O-RING, #2- 029, EPDM, 65-75 DURO, NSF 61	PART	1
6	92130	SCRW, M4 X .7 X 7 PHIL PAN HD SS	PART	1

TESTING	-	-	-
ASSEMBLY	-	-	-
PLATING	-	-	-
POLISHING	-	NEXT ASSY	USED ON
MACHINING	-	APPLICATION	
TOOLING FIXTURE #	REMOVE ALL BURRS AND SHARP EDGES		

UNITS ARE: INCHES [MM]
 TOLERANCES ARE:
 FRACTIONS DECIMALS ANGLES
 $\pm 1/16"$.X $\pm .1$ [2,5] $\pm 1^\circ$
 .XX $\pm .06$ [1,5]
 (X.XXX) DENOTES CRITICAL DIMS.
 ALL THREADS ARE CRITICAL

DRAWN R. SMITH 03/19/09
 CHECKED J. MANGA 03/19/09
 APPROVED J. MANGA 03/19/09

BRASSTECH 2001 CARNEGIE AVE.
 INCORPORATED SANTA ANA, CA 92705
 (949) 417-5207

LIFT & TURN BATH PLUG

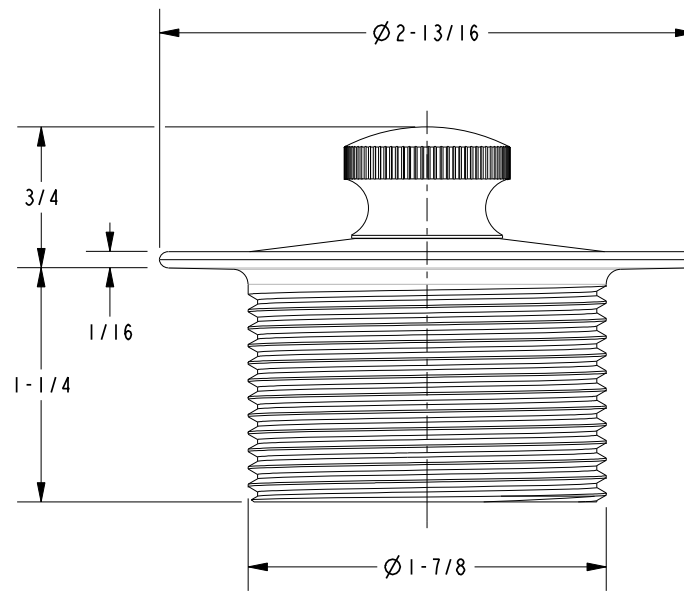
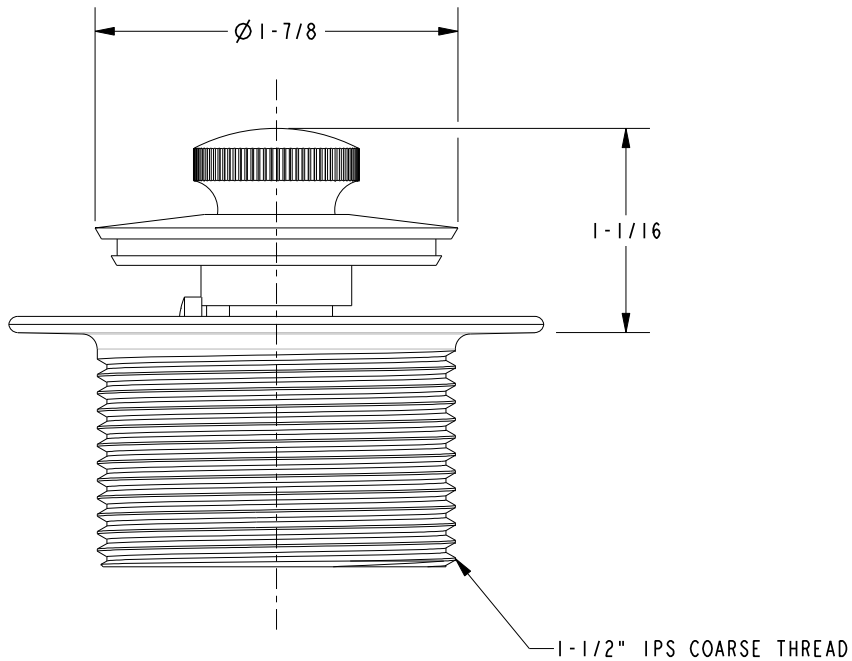
DWG NO. **270** REV C

SCALE 0.500 REF. - SHEET 1 OF 2

-				
-	C	EN-2975	11/13/15	V.V.
-	B	EN-2347	11/20/14	J.M.
ZONE	REV	DESCRIPTION	DATE	APPROVED

COPYRIGHT 2005 BRASSTECH, INC.
 THESE DRAWINGS AND THE DESIGNS
 DEPICTED HEREIN ARE THE PROPRIETARY
 PROPERTY OF BRASSTECH. ANY USE
 OR REPRODUCTION IS SUBJECT TO
 THE EXPRESS APPROVAL OF BRASSTECH.
 UNAUTHORIZED USE IS STRICTLY
 PROHIBITED. ALL RIGHTS RESERVED.

SPECIFICATION DWG



DIMENSIONS ARE IN INCHES AND AN APPROXIMATION OF A TYPICAL INSTALLATION

COPYRIGHT 2005 BRASSTECH, INC. THESE DRAWINGS AND THE DESIGNS DEPICTED HEREIN ARE THE PROPRIETARY PROPERTY OF BRASSTECH. ANY USE OR REPRODUCTION IS SUBJECT TO THE EXPRESS APPROVAL OF BRASSTECH. UNAUTHORIZED USE IS STRICTLY PROHIBITED. ALL RIGHTS RESERVED.

BRASSTECH		2001 CARNEGIE AVE. SANTA ANA, CA 92705 (949) 417-5207
INCORPORATED		
DWG NO.	270	REV C
SCALE 1.000	REF. -	SHEET 2 OF 2