

**BILL OF MATERIAL (CURRENT LEVEL)**

ITEM	PT/ASSY	DESCRIPTION	TYPE	QTY.
1	5-030	MTG HDWR KIT	ASSEMBLY	1
2	50086	FLANGE HOUSING	PART	1
3	50087	DRAIN BASKET	PART	1
4	50089	POST	PART	1
5	50472	WSHR BRS .135 X .60	PART	1
6	50473	WSHR BRS .276 X .866	PART	1
7	50474	STOPPER RBR BLK	PART	1
8	92085	SCREW- FLT HD M4 X .7 X 10mm	PART	1

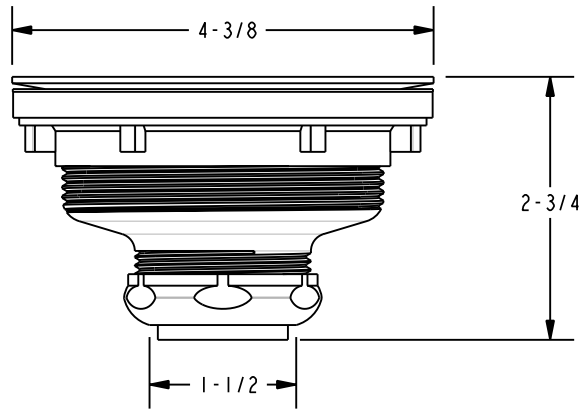
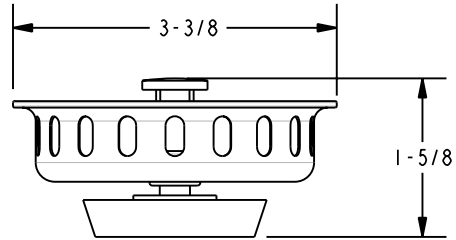
COPYRIGHT 2003 BRASSTECH, INC. THESE DRAWINGS AND THE DESIGNS DEPICTED HEREIN ARE THE PROPRIETARY PROPERTY OF BRASSTECH. ANY USE OR REPRODUCTION IS SUBJECT TO THE EXPRESS APPROVAL OF BRASSTECH. UNAUTHORIZED USE IS STRICTLY PROHIBITED. ALL RIGHTS RESERVED.

**BRASSTECH**  
INCORPORATED  
2001 E. CARNEGIE AVE.  
SANTA ANA, CA 92705  
(949) 417-5207

**LARGE BASKET STRAINER**

ASSY. NO.	121					
SCALE .250	REF. -	SHEET 1 OF 2	REV	REV DESC	DATE	

SPECIFICATION DWG



DIMENSIONS ARE IN INCHES AND AN APPROXIMATION OF A TYPICAL INSTALLATION

COPYRIGHT 2004 BRASSTECH, INC. THESE DRAWINGS AND THE DESIGNS DEPICTED HEREIN ARE THE PROPRIETARY PROPERTY OF BRASSTECH. ANY USE OR REPRODUCTION IS SUBJECT TO THE EXPRESS APPROVAL OF BRASSTECH. UNAUTHORIZED USE IS STRICTLY PROHIBITED. ALL RIGHTS RESERVED.

<b>BRASSTECH</b>		2001 E. CARNEGIE AVE.	
INCORPORATED		SANTA ANA, CA 92705	
		(949) 417-5207	
DWG NO.	121	REV	-
SCALE	.500	REF.	-
		SHEET	2 OF 2