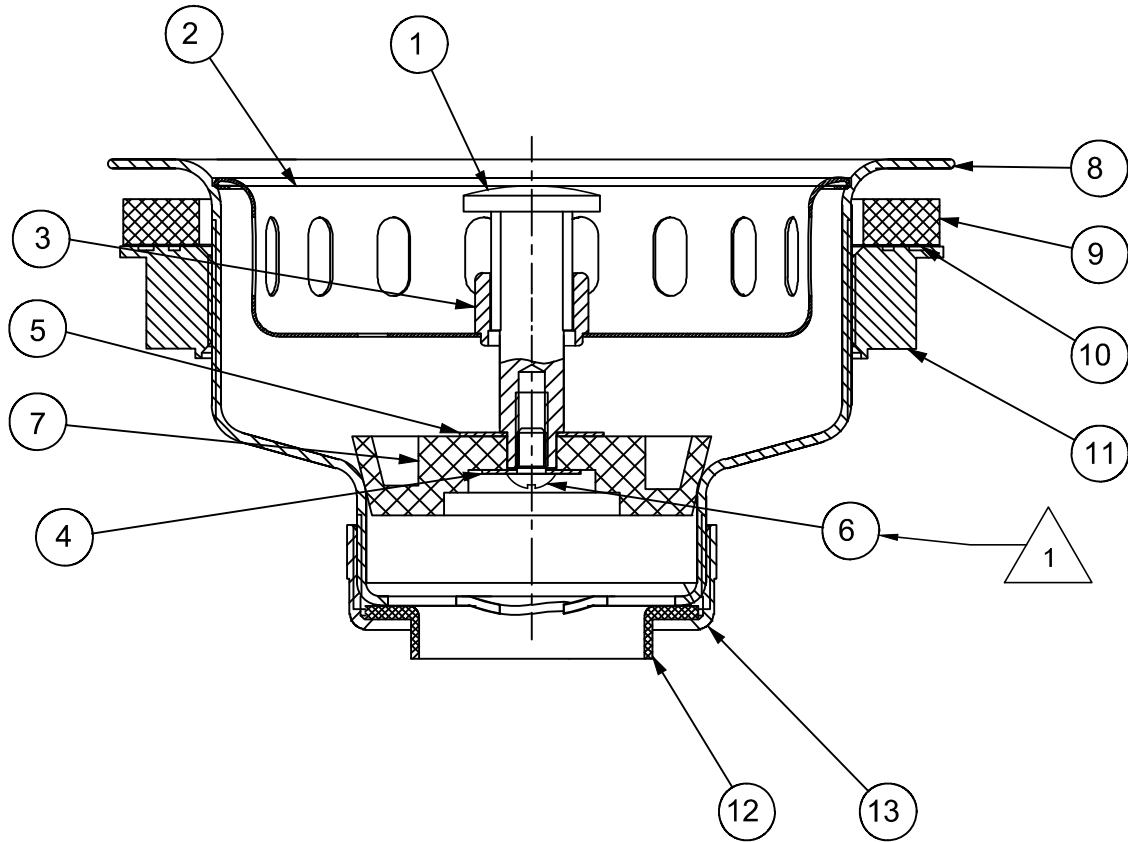



LIST OF MATERIAL

NO.	DESCRIPTION	MATERIAL	PART	QTY.
1	POST	BRASS	51025	1
2	DRAIN BASKET(POST TYPE)	BRASS	51024	1
3	BASE(POST TYPE)	BRASS	51024-1	1
4	WASHER	BRASS	51026	1
5	WASHER	BRASS	51027	1
6	SCREW M4	SS304	92866	1
7	BLK RBR STOPPER	NBR	51028	1
8	BODY	BRASS	51023	1
9	WASHER	NBR	91714	1
10	FOAM GASKET	FOAM	91716	1
11	LOCK NUT	ZINC	51022	1
12	WASHER	PE	91715	1
13	SLIP NUT	BRASS	51018	1

△ 1 APPLY LOCTITE 680 OR EQUIVALENT



LARGE BASKET STRAINER, POST TYPE

 Bean Union Metal Co., Ltd.	DWG NO.	#121	REV.	B	TOLERANCES (INCH) :	UNITS:	INCH[mm]	MATERIAL:	-	NEXT ASSY	-	B	NEW ITEM NO.	JUL/31/17	BAU	
	SHEET	1 OF 1	SCALE	1 : 1	.X ± 0.04 .XX ± 0.03 .XXX ± 0.02	ANGLES	±1.5°	FACTORY:	Zhejiang	WEIGHT(g):	-	USED ON	-	REV	DESCRIPTION	DATE