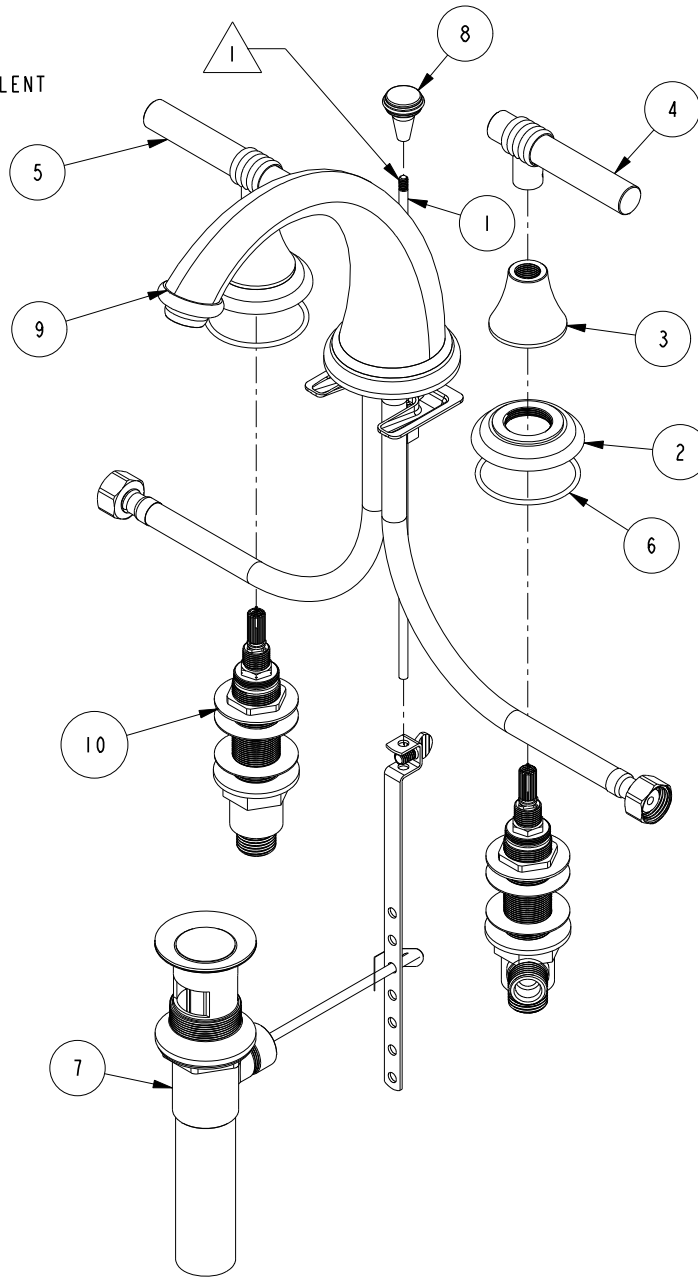


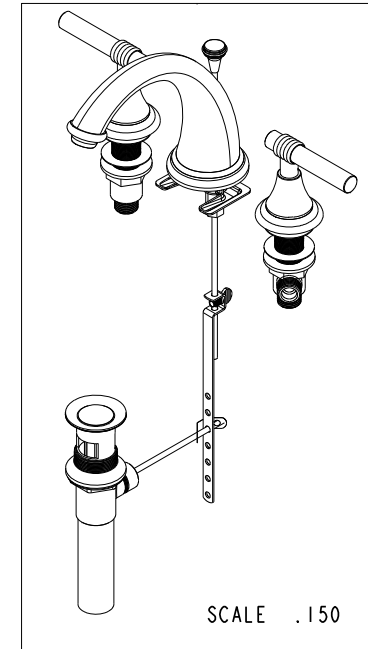
NOTES:

1. APPLY LOCTITE 680 OR EQUIVALENT



BILL OF MATERIAL (CURRENT LEVEL)

ITEM	PT/ASSY	DESCRIPTION	TYPE	QTY.
1	10288	3/16" POP UP ROD	PART	1
2	10048	ESCUTCHEON W/S VALVE	PART	2
3	10095	ESCUTCHEON, 900 SERIES	PART	2
4	2-103C	LEVER HANDLE - COLD	ASSEMBLY	1
5	2-103H	LEVER HANDLE - HOT	ASSEMBLY	1
6	91231	O-RING, #2-136, EPDM, 65-75 DURO	PART	2
7	325	POP UP ASSEMBLY	ASSEMBLY	1
8	10021	POP-UP KNOB	PART	1
9	3-348	W/S SPOUT ASM	ASSEMBLY	1
10	1-525	W/S VALVE INSTALLATION	ASSEMBLY	1



COPYRIGHT 2005 BRASSTECH, INC. THESE DRAWINGS AND THE DESIGNS DEPICTED HEREIN ARE THE PROPRIETARY PROPERTY OF BRASSTECH. ANY USE OR REPRODUCTION IS SUBJECT TO THE EXPRESS APPROVAL OF BRASSTECH. UNAUTHORIZED USE IS STRICTLY PROHIBITED. ALL RIGHTS RESERVED.

BRASSTECH
INCORPORATED

2001 E. CARNEGIE AVE.
SANTA ANA, CA 92705
(949) 417-5207

TOP ASSY, FAUCET, WIDESPREAD

ASSY. NO.

900

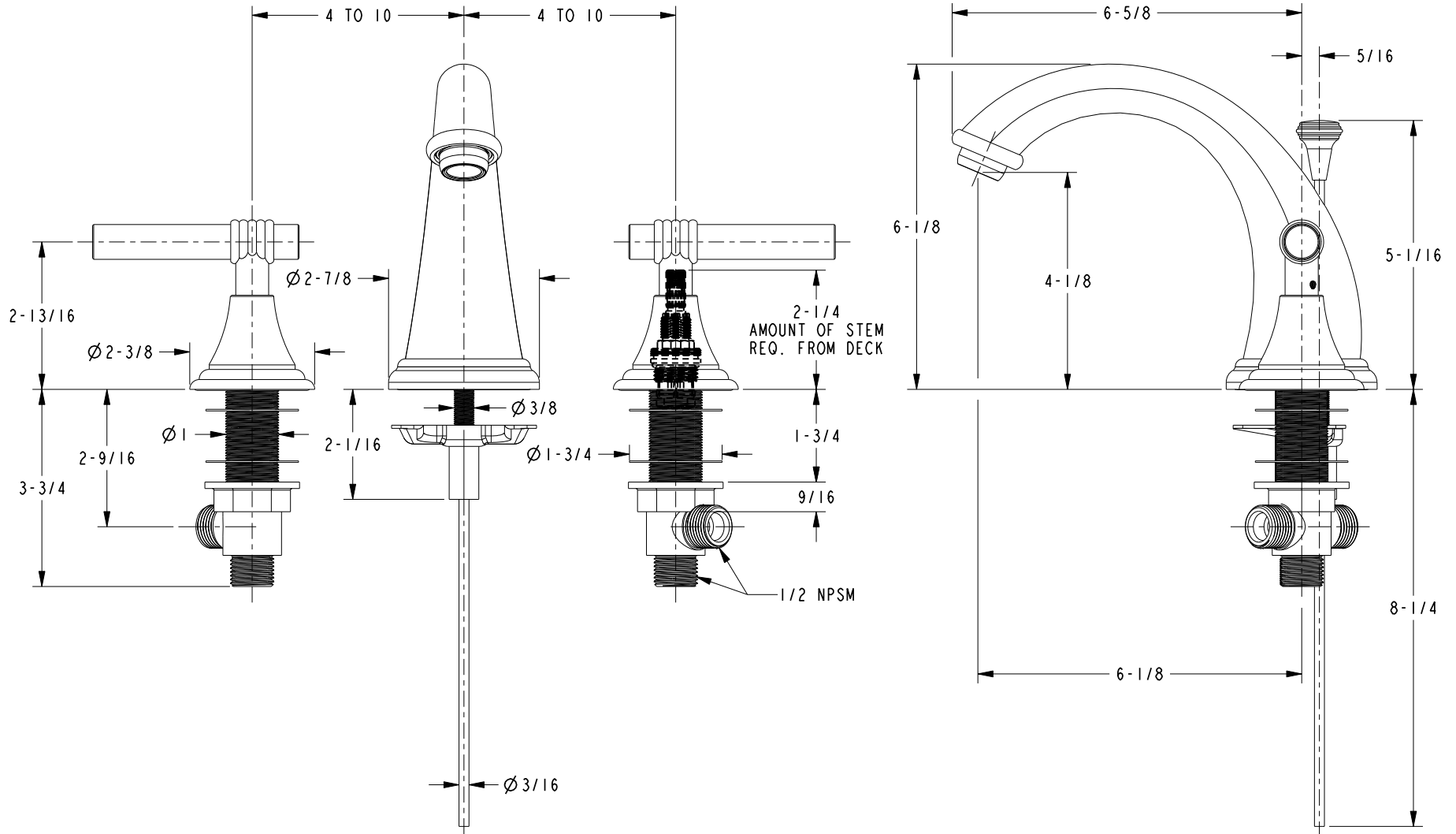
SCALE .250

REF. -

SHEET 1 OF 2

E	EN-2334	12/18/12
D	EN-1616	09/13/10
C	EO-1018	06/10/08
B	SPOUT/NIPPLE	07/98
REV	REV DESC	DATE

SPECIFICATION DWG



DIMENSIONS ARE IN INCHES AND AN APPROXIMATION OF A TYPICAL INSTALLATION

COPYRIGHT 2005 BRASSTECH, INC. THESE DRAWINGS AND THE DESIGNS DEPICTED HEREIN ARE THE PROPRIETARY PROPERTY OF BRASSTECH. ANY USE OR REPRODUCTION IS SUBJECT TO THE EXPRESS APPROVAL OF BRASSTECH. UNAUTHORIZED USE IS STRICTLY PROHIBITED. ALL RIGHTS RESERVED.

BRASSTECH 2001 CARNEGIE AVE.
INCORPORATED SANTA ANA, CA 92705
(949) 417-5207

DWG NO.	900	REV	E
SCALE	.350	REF.	-
SHEET 2		OF 2	