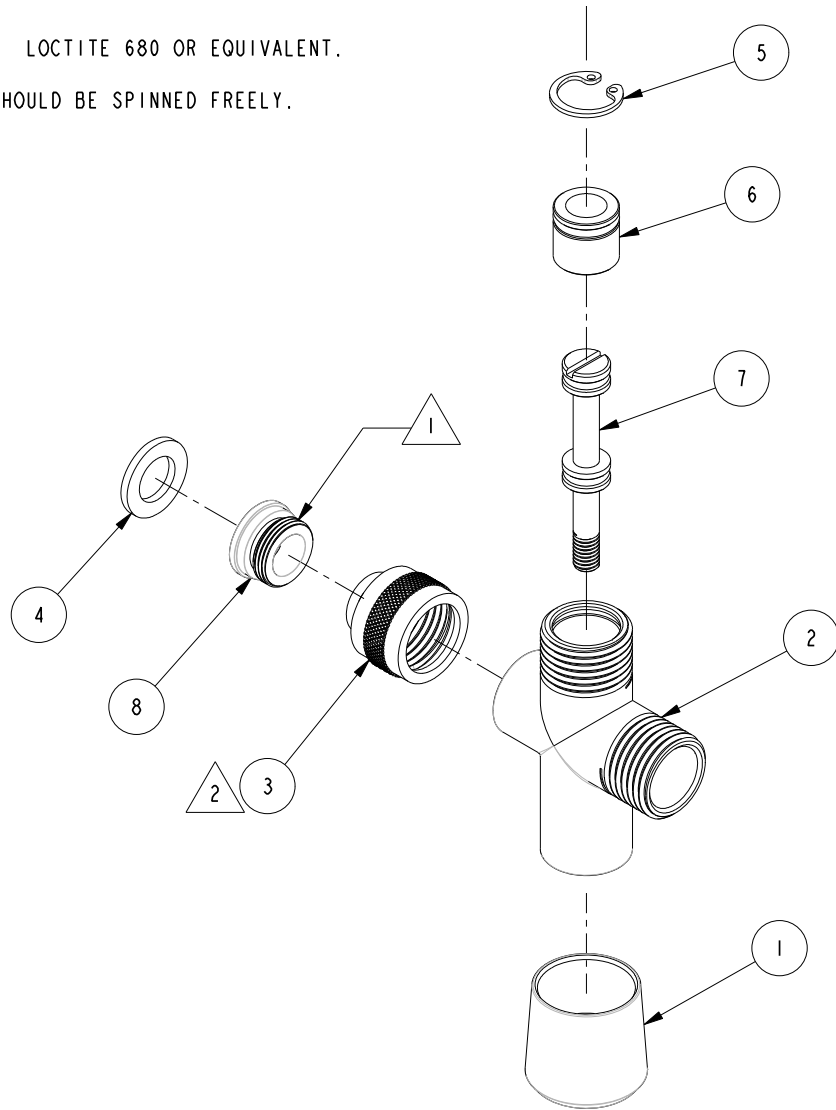


NOTES:

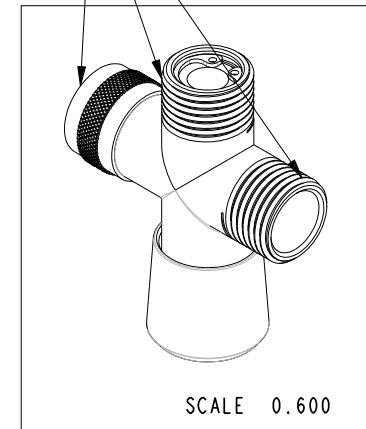
- 1. APPLY LOCTITE 680 OR EQUIVALENT.
- 2. NUT SHOULD BE SPINNED FREELY.



BILL OF MATERIAL (CURRENT LEVEL)

ITEM	PT/ASSY	DESCRIPTION	TYPE	QTY.
1	50292	CAP	PART	1
2	50977	BODY	PART	1
3	50978	NUT	PART	1
4	91153	WSHR, .438 ID X .738 OD X .075 THK, FLT, EPDM	PART	1
5	92069	RETAINING RING	PART	1
6	5-058	SLV/O-RING ASM	ASSEMBLY	1
7	5-059	CENTER ROD ASM	ASSEMBLY	1
8	5-060	SEAT ASM	ASSEMBLY	1

1/2 NPSM



COPYRIGHT 2005 BRASSTECH, INC. THESE DRAWINGS AND THE DESIGNS DEPICTED HEREIN ARE THE PROPRIETARY PROPERTY OF BRASSTECH. ANY USE OR REPRODUCTION IS SUBJECT TO THE EXPRESS APPROVAL OF BRASSTECH. UNAUTHORIZED USE IS STRICTLY PROHIBITED. ALL RIGHTS RESERVED.

BRASSTECH
INCORPORATED
2001 E. CARNEGIE AVE.
SANTA ANA, CA 92705
(949) 417-5207

DIVERTER VALVE FOR SHOWER

ASSY. NO.
286

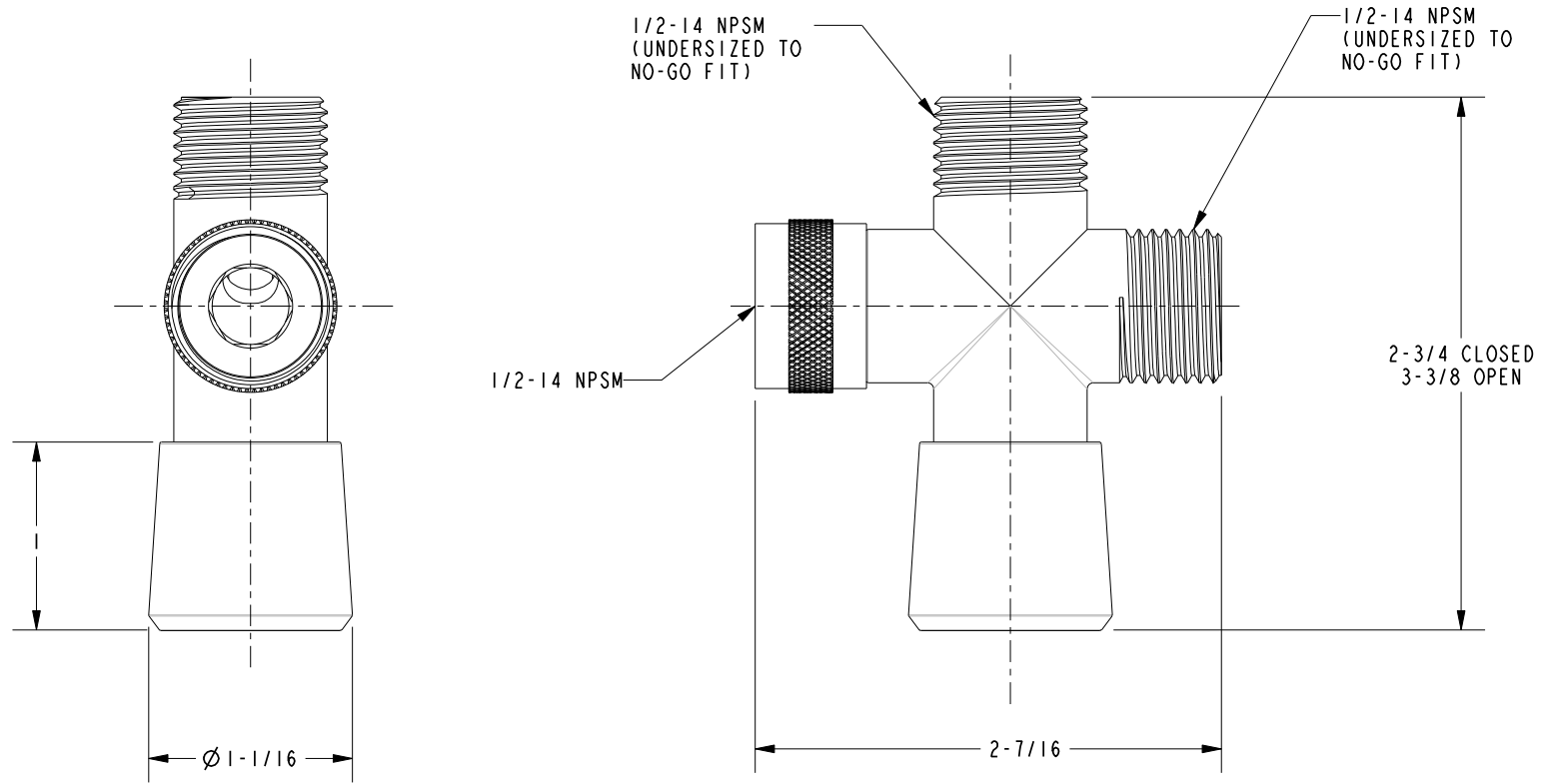
SCALE 0.600

REF. -

SHEET 1 OF 2

B	EN-2489	04/01/13
A	EO-0552	08/18/05
-	RELEASED	PRE '95
REV	REV DESC	DATE

SPECIFICATION DWG



DIMENSIONS ARE IN INCHES AND AN APPROXIMATION OF A TYPICAL INSTALLATION

COPYRIGHT 2005 BRASSTECH, INC. THESE DRAWINGS AND THE DESIGNS DEPICTED HEREIN ARE THE PROPRIETARY PROPERTY OF BRASSTECH. ANY USE OR REPRODUCTION IS SUBJECT TO THE EXPRESS APPROVAL OF BRASSTECH. UNAUTHORIZED USE IS STRICTLY PROHIBITED. ALL RIGHTS RESERVED.

BRASSTECH		2001 CARNEGIE AVE. SANTA ANA, CA 92705 (949) 417-5207	
DWG NO.	286	REV	B
SCALE	1.000	REF.	-
SHEET		2	OF 2