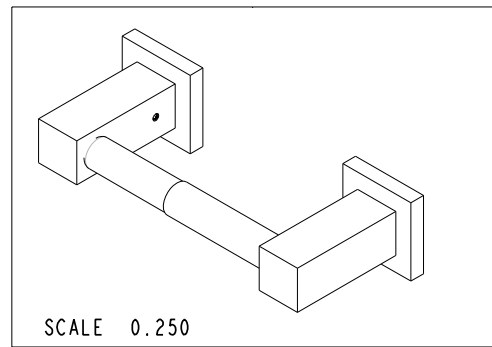


**BILL OF MATERIAL (CURRENT LEVEL)**

ITEM	PT/ASSY	DESCRIPTION	TYPE	QTY.
1	40333	ACCESSORY MTG BASE	PART	2
2	10837	ESCUTCHEON ACCESSORY	PART	2
3	1-125	HARDWARE KIT	ASSEMBLY	2
4	10838	POST (TOWEL/TISSUE)	PART	2
5	92000	SCREW 8 - 32 X 1/8 SS	PART	2
6	2-184	TISSUE ROLLER ASSEMBLY	ASSEMBLY	1



COPYRIGHT 2005 BRASSTECH, INC. THESE DRAWINGS AND THE DESIGNS DEPICTED HEREIN ARE THE PROPRIETARY PROPERTY OF BRASSTECH. ANY USE OR REPRODUCTION IS SUBJECT TO THE EXPRESS APPROVAL OF BRASSTECH. UNAUTHORIZED USE IS STRICTLY PROHIBITED. ALL RIGHTS RESERVED.

**BRASSTECH**  
INCORPORATED  
2001 E. CARNEGIE AVE.  
SANTA ANA, CA 92705  
(949) 417-5207

**TISSUE HOLDER**

ASSY. NO. **19-28**

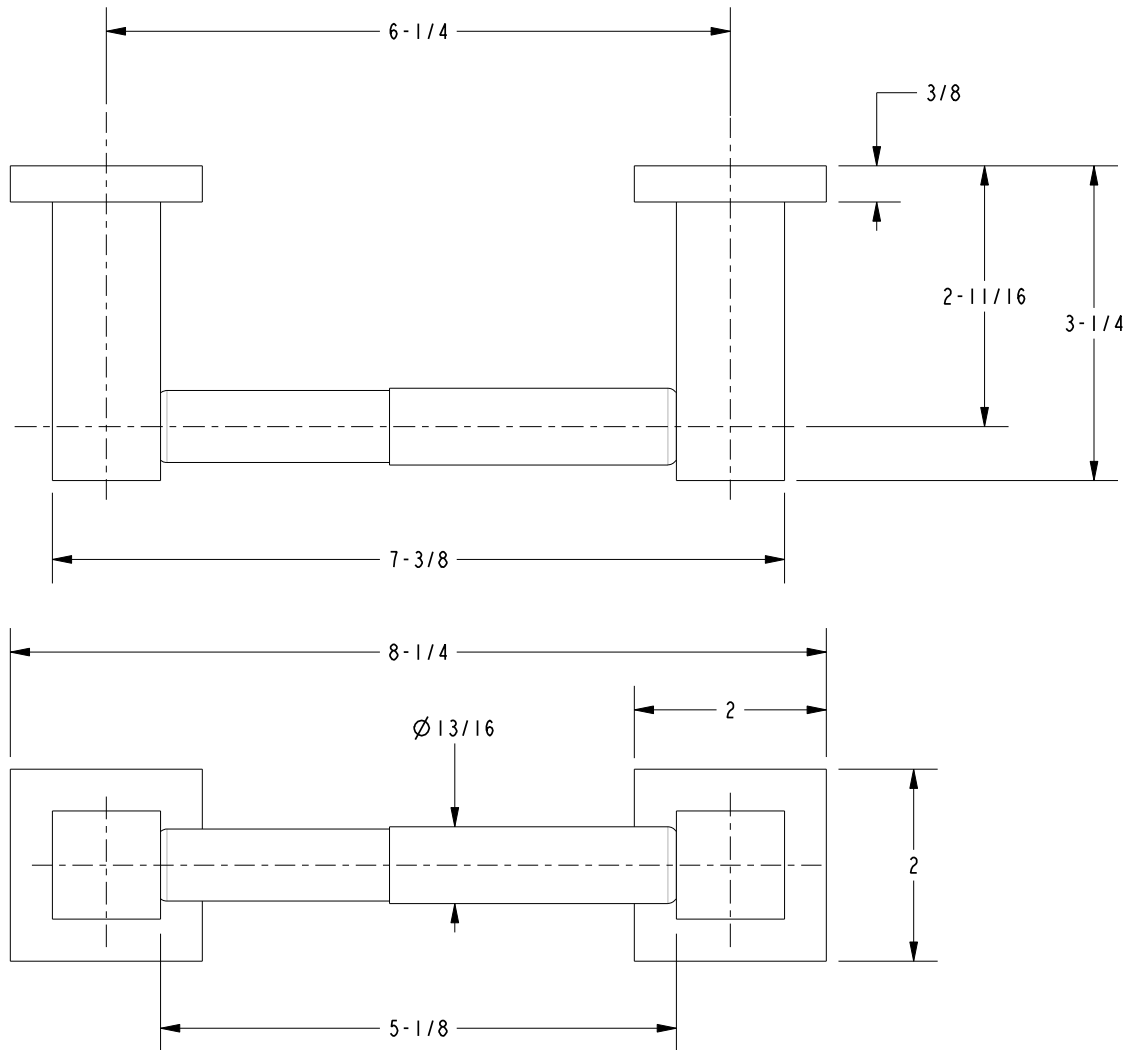
SCALE 0.650

REF. -

SHEET 1 OF 2

B	EN-1241	12/09/09
A	EO-0360	05/17/04
-	RELEASED	06/10/03
REV	REV DESC	DATE

**SPECIFICATION DWG**



DIMENSIONS ARE IN INCHES AND AN APPROXIMATION OF A TYPICAL INSTALLATION

COPYRIGHT 2005 BRASSTECH, INC. THESE DRAWINGS AND THE DESIGNS DEPICTED HEREIN ARE THE PROPRIETARY PROPERTY OF BRASSTECH. ANY USE OR REPRODUCTION IS SUBJECT TO THE EXPRESS APPROVAL OF BRASSTECH. UNAUTHORIZED USE IS STRICTLY PROHIBITED. ALL RIGHTS RESERVED.

<b>BRASSTECH</b>		2001 E. CARNEGIE AVE.
INCORPORATED		SANTA ANA, CA 92705
		(949) 417-5207
DWG NO.	19-28	REV B
SCALE 0.500	REF. -	SHEET 2 OF 2