

4

3

2

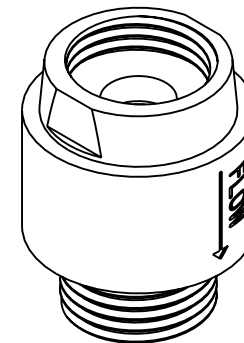
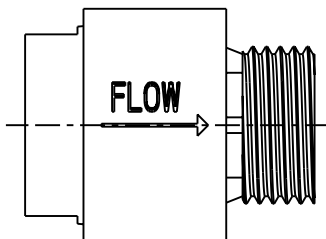
1

NOTES:

SPECIFICATION DWG

D

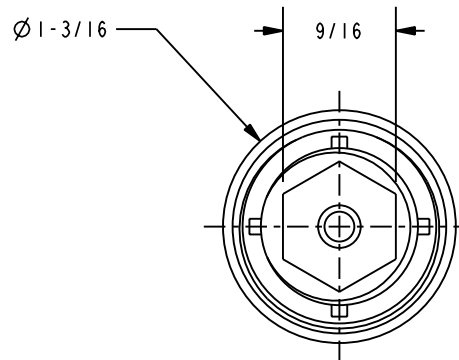
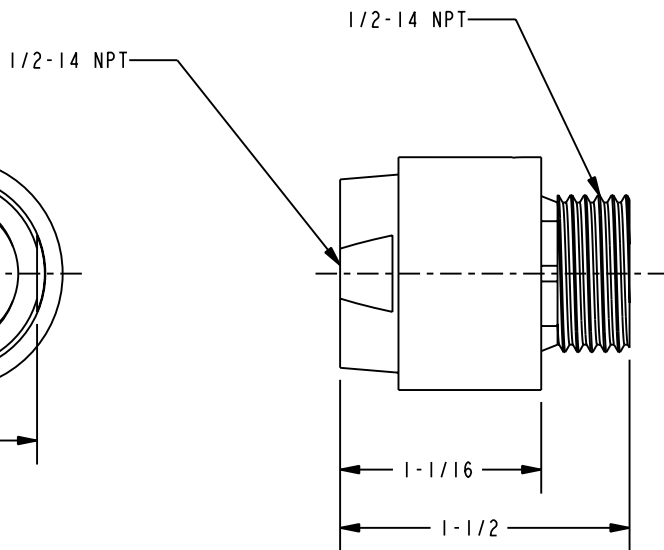
D



SCALE 1.000

C

C

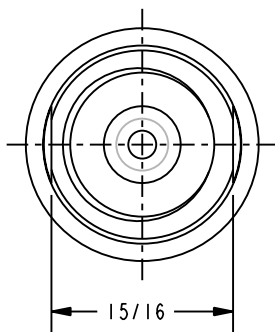


B

B

B

B



A

A

DIMENSIONS ARE IN INCHES AND AN APPROXIMATION OF A TYPICAL INSTALLATION

BRASSTECH 2001 E. CARNEGIE AVE.
 INCORPORATED SANTA ANA, CA 92705
 (949) 417-5207

VACUUM BREAKER

ASSY. NO. 291_SPEC

SCALE 1.000

REF. -

SHEET 1 OF 1

COPYRIGHT ©

4

3

2

1