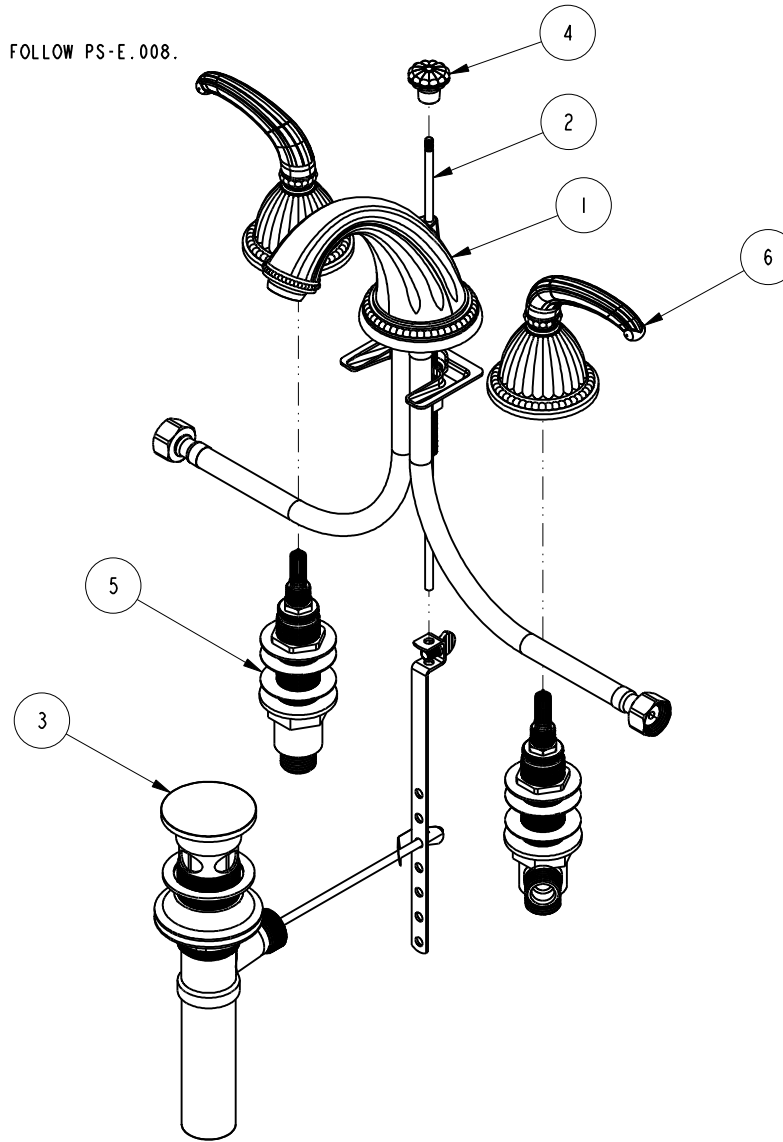


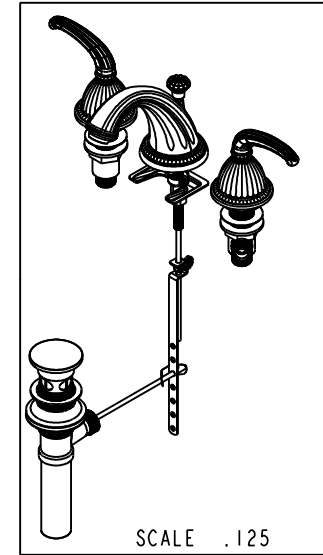
NOTES:

(N1) 1. FIT / FORM / FUNCTION SHALL FOLLOW PS-E.008.



**BILL OF MATERIAL (CURRENT LEVEL)**

ITEM	PT/ASSY	DESCRIPTION	TYPE	QTY.
1	3-356	WIDESPREAD SPOUT ASM	ASSEMBLY	1
2	10288	3/16" POP UP ROD	PART	1
3	325	POP UP ASSEMBLY	ASSEMBLY	1
4	10104	KNOB POP-UP 880 SERIES	PART	1
5	1-525_880	W/S VALVE ASM	ASSEMBLY	1
6	3-159	TRIM KIT - STOP VALVE	ASSEMBLY	2



-	G	EN-3371	08/04/17	J.M
-	F	EN-2929	07/29/15	-
-	E	EN-2553	07/01/13	-
-	D	EN-1616	09/13/10	-
-	C	EO-1020	06/10/08	-
-	B	SPOUT CHG	1998	-
ZONE	REV	DESCRIPTION	DATE	APPROVED

COPYRIGHT 2005 BRASSTECH, INC. THESE DRAWINGS AND THE DESIGNS DEPICTED HEREIN ARE THE PROPRIETARY PROPERTY OF BRASSTECH. ANY USE OR REPRODUCTION IS SUBJECT TO THE EXPRESS APPROVAL OF BRASSTECH. UNAUTHORIZED USE IS STRICTLY PROHIBITED. ALL RIGHTS RESERVED.

TESTING	-	-	-
ASSEMBLY	-	-	-
PLATING	-	-	-
POLISHING	-	NEXT ASSY	USED ON
MACHINING	-	APPLICATION	
TOOLING	FIXTURE #	REMOVE ALL BURRS AND SHARP EDGES	

UNITS ARE: INCHES [MM]  
TOLERANCES ARE:  
FRACTIONS DECIMALS ANGLES  
 $\pm 1/16"$   $.X \pm .1$  [2,5]  $\pm 1^\circ$   
 $.XX \pm .06$  [1,3]

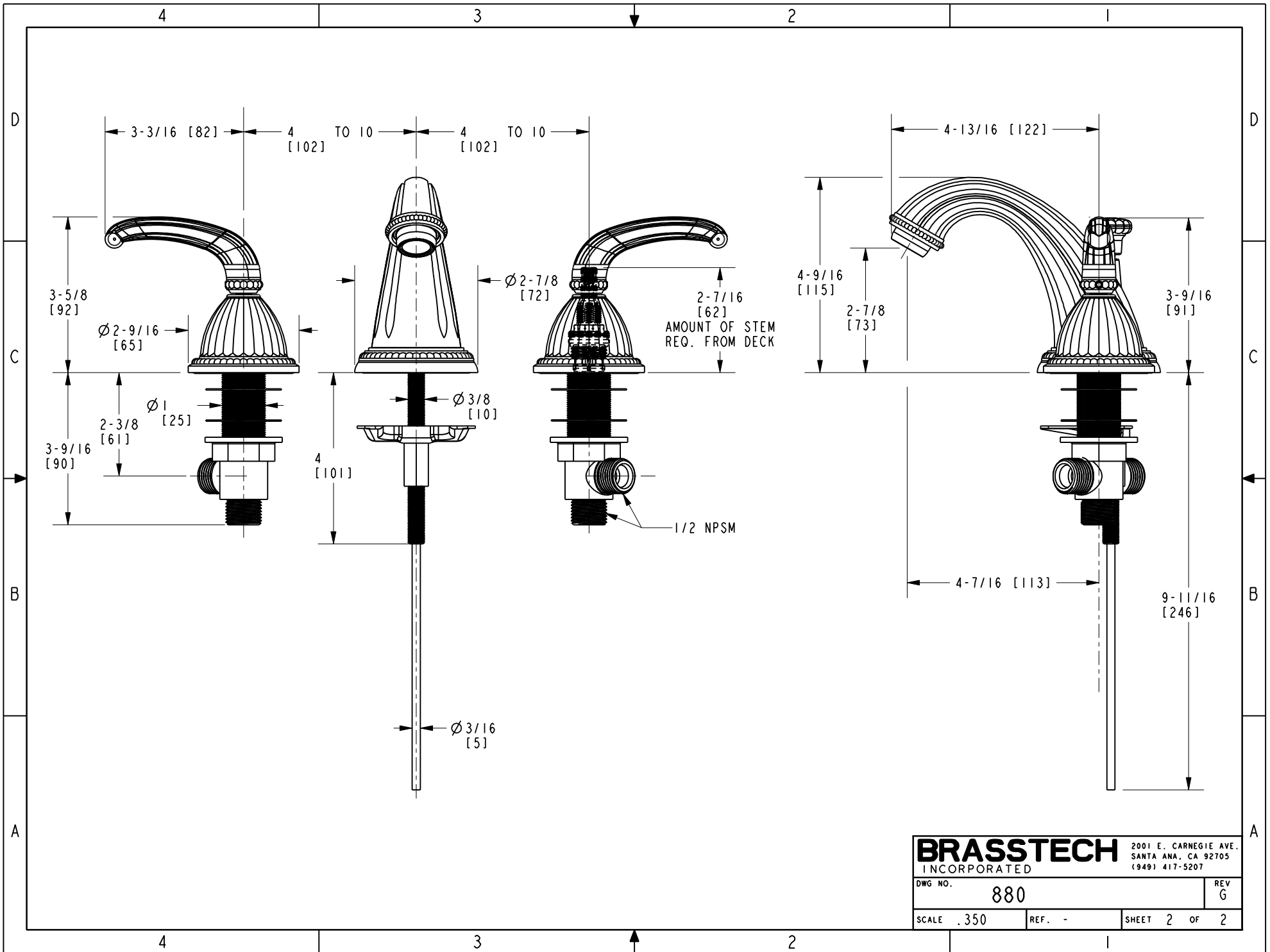
(X.XXX) DENOTES CRITICAL DIMS.  
ALL THREADS ARE CRITICAL

DRAWN	VINAY	08/04/17
CHECKED	RAVINDRA	08/04/17
APPROVED	J.M	08/04/17

**BRASSTECH** 2001 CARNEGIE AVE.  
INCORPORATED SANTA ANA, CA 92705  
(949) 417-5207

**WIDESPREAD FAUCET**

DWG NO.	880	REV	G
SCALE	.225	REF.	-
SHEET	1	OF	2



<b>BRASSTECH</b>		2001 E. CARNEGIE AVE.	
INCORPORATED		SANTA ANA, CA 92705	
		(949) 417-5207	
DWG NO.	880	REV	G
SCALE	.350	REF.	-
		SHEET	2 OF 2