

4

3

2

1

BILL OF MATERIAL (CURRENT LEVEL)

ITEM	PT/ASSY	DESCRIPTION	TYPE	QTY.
1	10127	TOWEL RING	PART	1
2	10837	ESCUTCHEON ACCESSORY	PART	1
3	10839	POST (TOWEL RING)	PART	1
4	40333	ACCESSORY MTG BASE	PART	1
5	92000	SCREW 8 - 32 X 1/8 SS	PART	1
6	1-125	HARDWARE KIT	ASSEMBLY	1

D

D

C

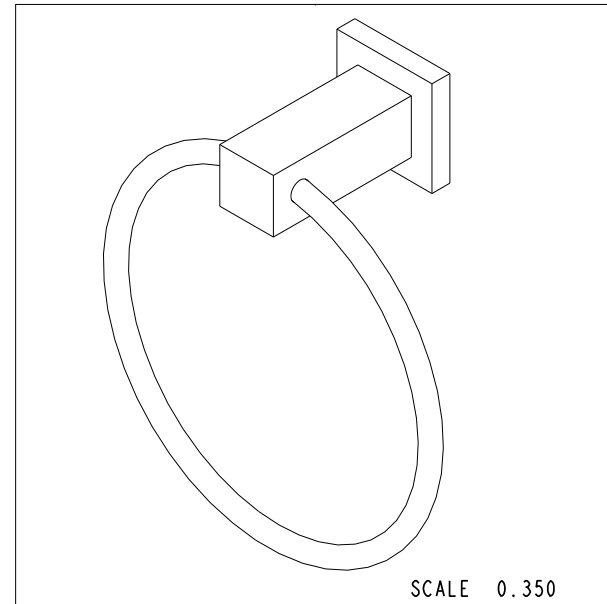
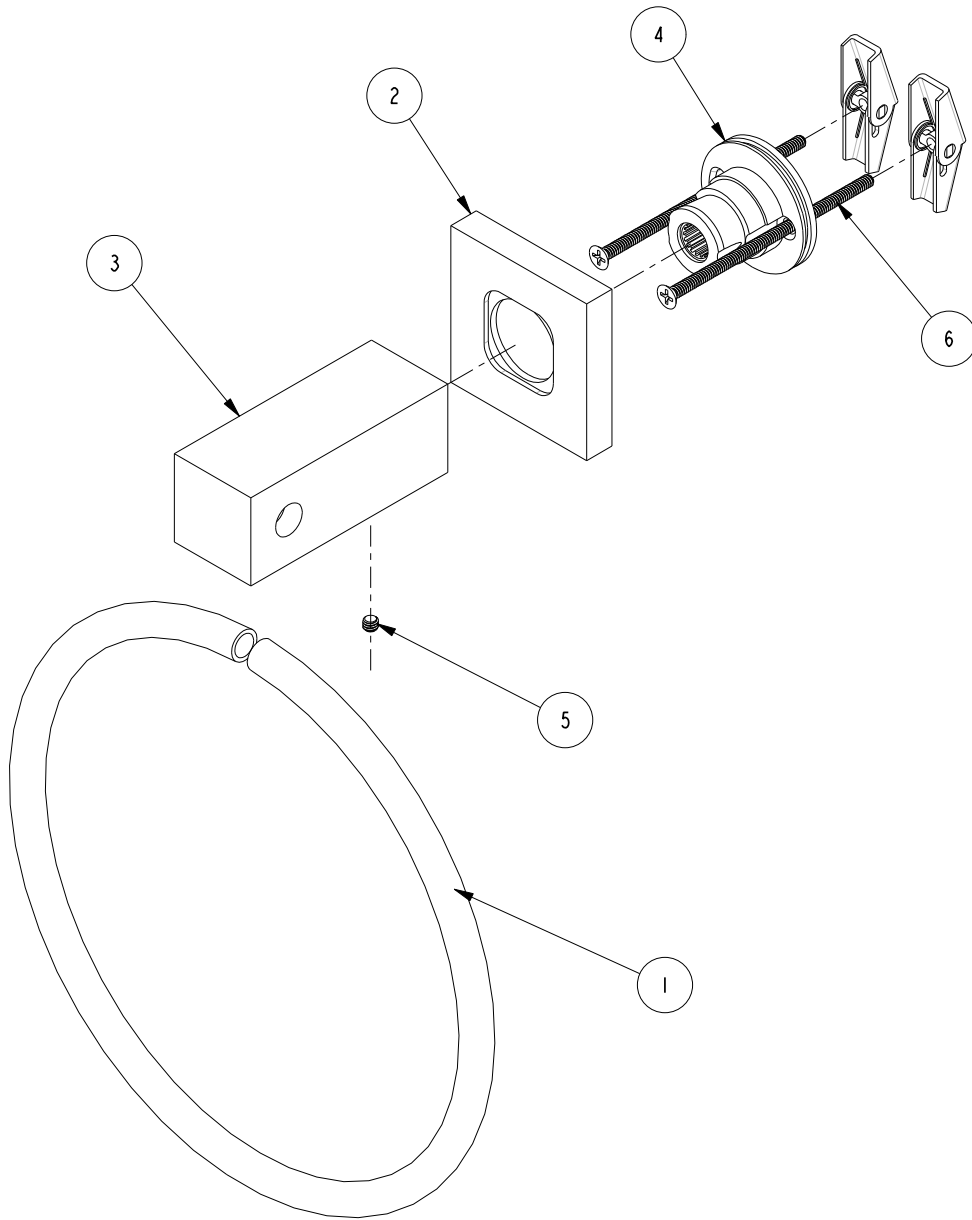
C

B

B

A

A



COPYRIGHT 2005 BRASSTECH, INC. THESE DRAWINGS AND THE DESIGNS DEPICTED HEREIN ARE THE PROPRIETARY PROPERTY OF BRASSTECH. ANY USE OR REPRODUCTION IS SUBJECT TO THE EXPRESS APPROVAL OF BRASSTECH. UNAUTHORIZED USE IS STRICTLY PROHIBITED. ALL RIGHTS RESERVED.

BRASSTECH
 INCORPORATED
 2001 E. CARNEGIE AVE.
 SANTA ANA, CA 92705
 (949) 417-5207

TOWEL RING

ASSY. NO. 19-09

SCALE 0.500

REF. -

SHEET 1 OF 2

B	EN-1241	12/09/09
A	EO-0360	05/17/04
-	RELEASED	06/10/03
REV	REV DESC	DATE

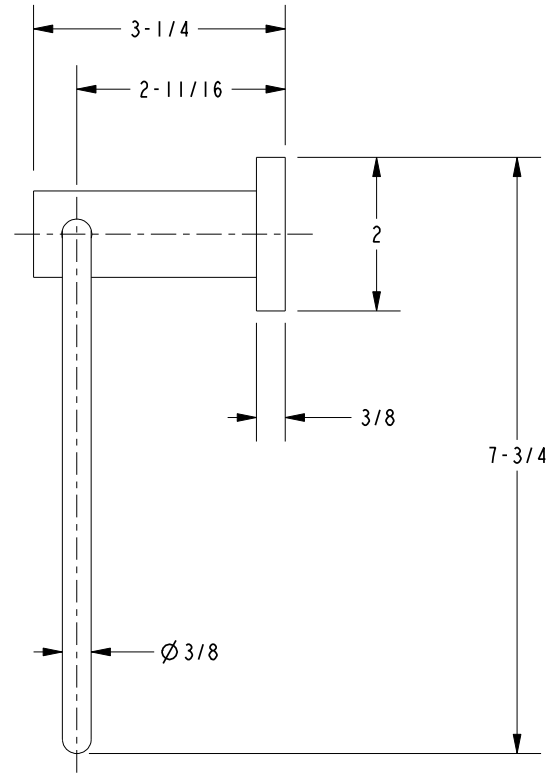
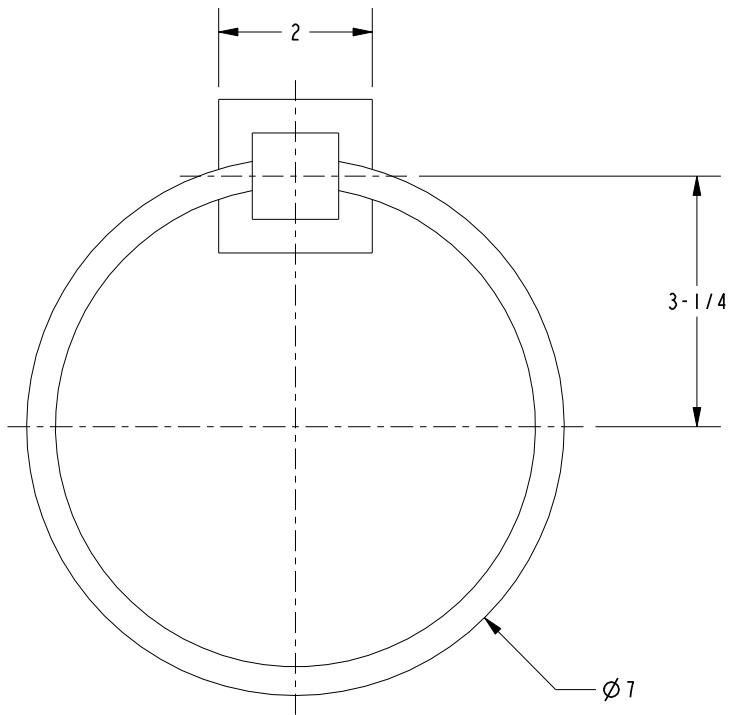
4

3

2

1

SPECIFICATION DWG



DIMENSIONS ARE IN INCHES AND AN APPROXIMATION OF A TYPICAL INSTALLATION

COPYRIGHT 2005 BRASSTECH, INC. THESE DRAWINGS AND THE DESIGNS DEPICTED HEREIN ARE THE PROPRIETARY PROPERTY OF BRASSTECH. ANY USE OR REPRODUCTION IS SUBJECT TO THE EXPRESS APPROVAL OF BRASSTECH. UNAUTHORIZED USE IS STRICTLY PROHIBITED. ALL RIGHTS RESERVED.

BRASSTECH		2001 E. CARNEGIE AVE.	
INCORPORATED		SANTA ANA, CA 92705	
		(949) 417-5207	
DWG NO.	19-09	REV	B
SCALE	0.400	REF.	-
		SHEET	2 OF 2