

NEWPORT BATH

Features

- Solid brass construction
- Traditional styling
- Simulated rainfall shower pattern
- Classic rain-can functionality
- 1/2" NPT inlet fitting
- 5-1/2" (14 cm) showerhead diameter
- 1.8 gallons (6.7 liters) per minute maximum flow rate

Codes / Standards Compliance

Meets or exceeds the following at date of manufacture:

- ASME A112.18.1/CSA B125.1
- IAPMO/cUPC
- IPC
- Energy Policy Act of 1992
- EPA Watersense
- All applicable US Federal and State material regulations

Colors / Finishes

- 10B: Oil Rubbed Bronze
 - 15: Polished Nickel
 - 15A: Antique Nickel
 - 26: Polished Chrome
- Other: Refer to the Newport Brass catalog for additional color/finish options.

Showerhead

209



Specified Model

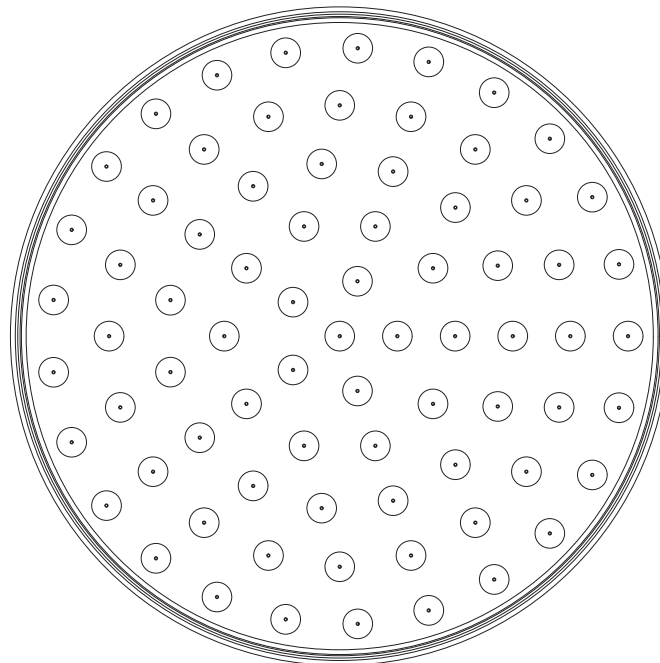
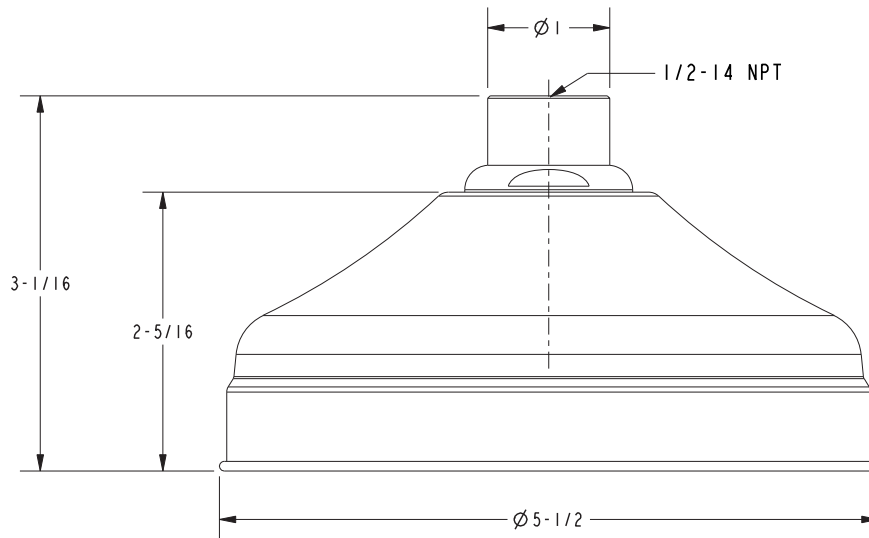
Model	Description	Colors Finishes
209	Showerhead	<input type="checkbox"/> 10B <input type="checkbox"/> 15 <input type="checkbox"/> 15A <input type="checkbox"/> 26 <input type="checkbox"/> Other

Product Specification: Add "Color / Finish" suffix to Model number, below.

The Showerhead shall be of solid brass construction. Showerhead shall have a simulated rainfall shower pattern and classic rain-can functionality. Showerhead shall have a 1/2" NPT inlet fitting and 5-1/2" (14 cm) showerhead diameter while operating at 1.8 gallons (6.7 liters) per minute maximum flow rate. Showerhead shall be Newport Brass Model 209/___.

NEWPORT BATH

PRODUCT DIMENSIONS *(Units are in inches)*



SCALE .750

**Newport Bath Showerhead
209**