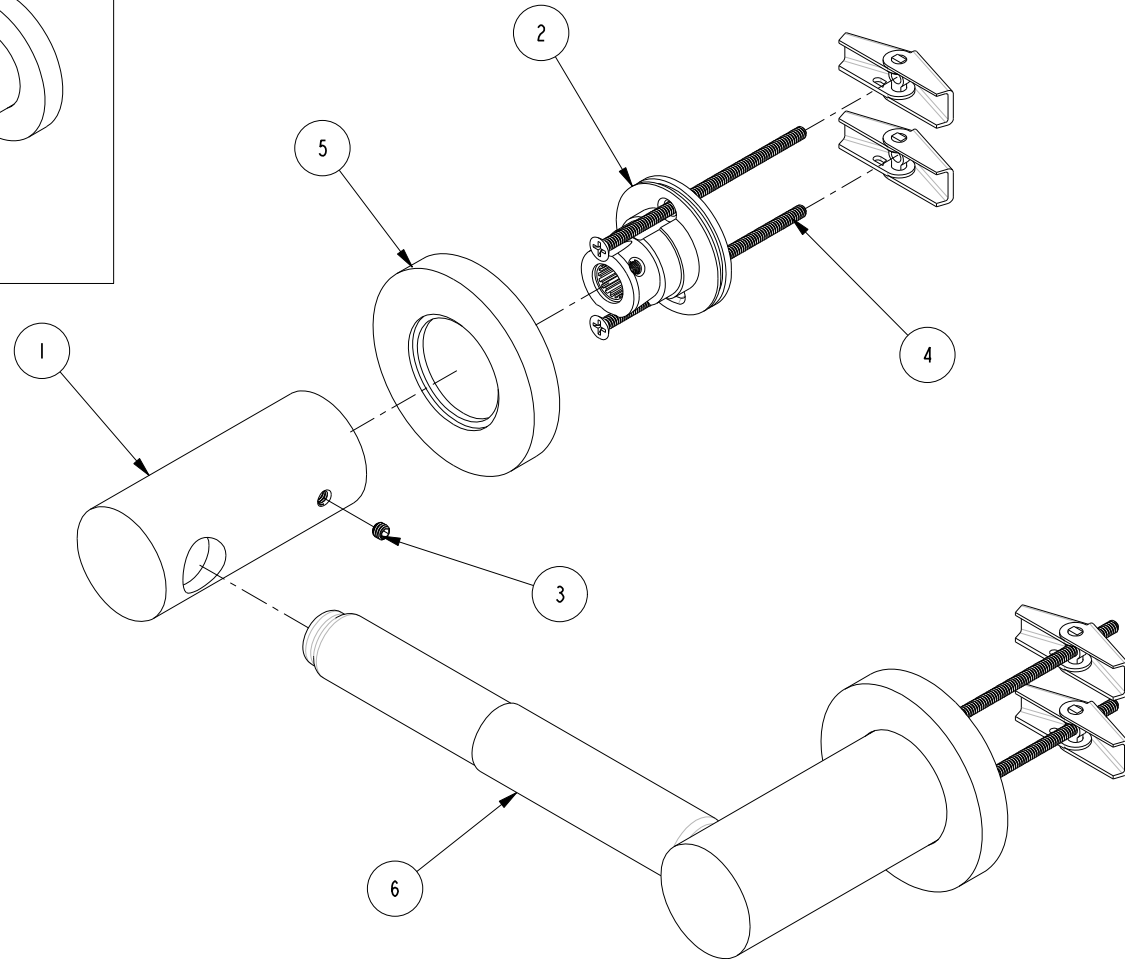
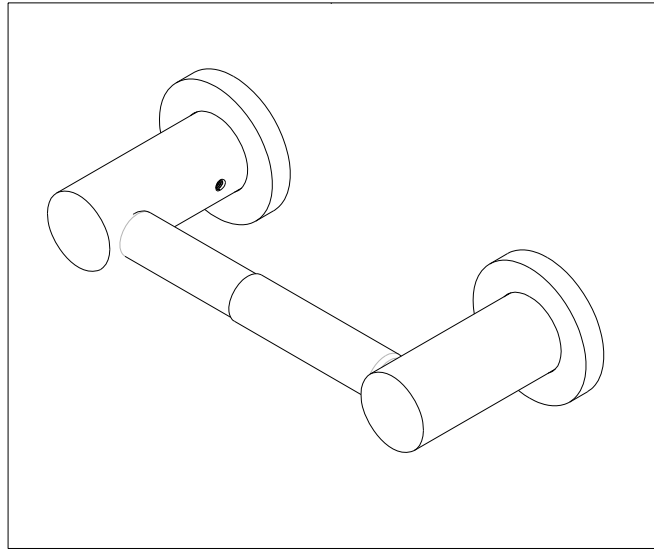


BILL OF MATERIAL (CURRENT LEVEL)

ITEM	PT/ASSY	DESCRIPTION	TYPE	QTY.
1	10834	POST (TISSUE/TOWEL)	PART	2
2	40333	ACCESSORY MTG BASE	PART	2
3	92000	SCREW 8 - 32 X 1/8 SS	PART	2
4	1-125	HARDWARE KIT	ASSEMBLY	2
5	2-100	ESCUTCHEON ASM	ASSEMBLY	2
6	2-184	TISSUE ROLLER ASSEMBLY	ASSEMBLY	1



COPYRIGHT 2005 BRASSTECH, INC. THESE DRAWINGS AND THE DESIGNS DEPICTED HEREIN ARE THE PROPRIETARY PROPERTY OF BRASSTECH. ANY USE OR REPRODUCTION IS SUBJECT TO THE EXPRESS APPROVAL OF BRASSTECH. UNAUTHORIZED USE IS STRICTLY PROHIBITED. ALL RIGHTS RESERVED.

BRASSTECH
INCORPORATED

2001 E. CARNEGIE AVE.
SANTA ANA, CA 92705
(949) 417-5207

TISSUE HOLDER

ASSY. NO. 16-28

SCALE 0.350

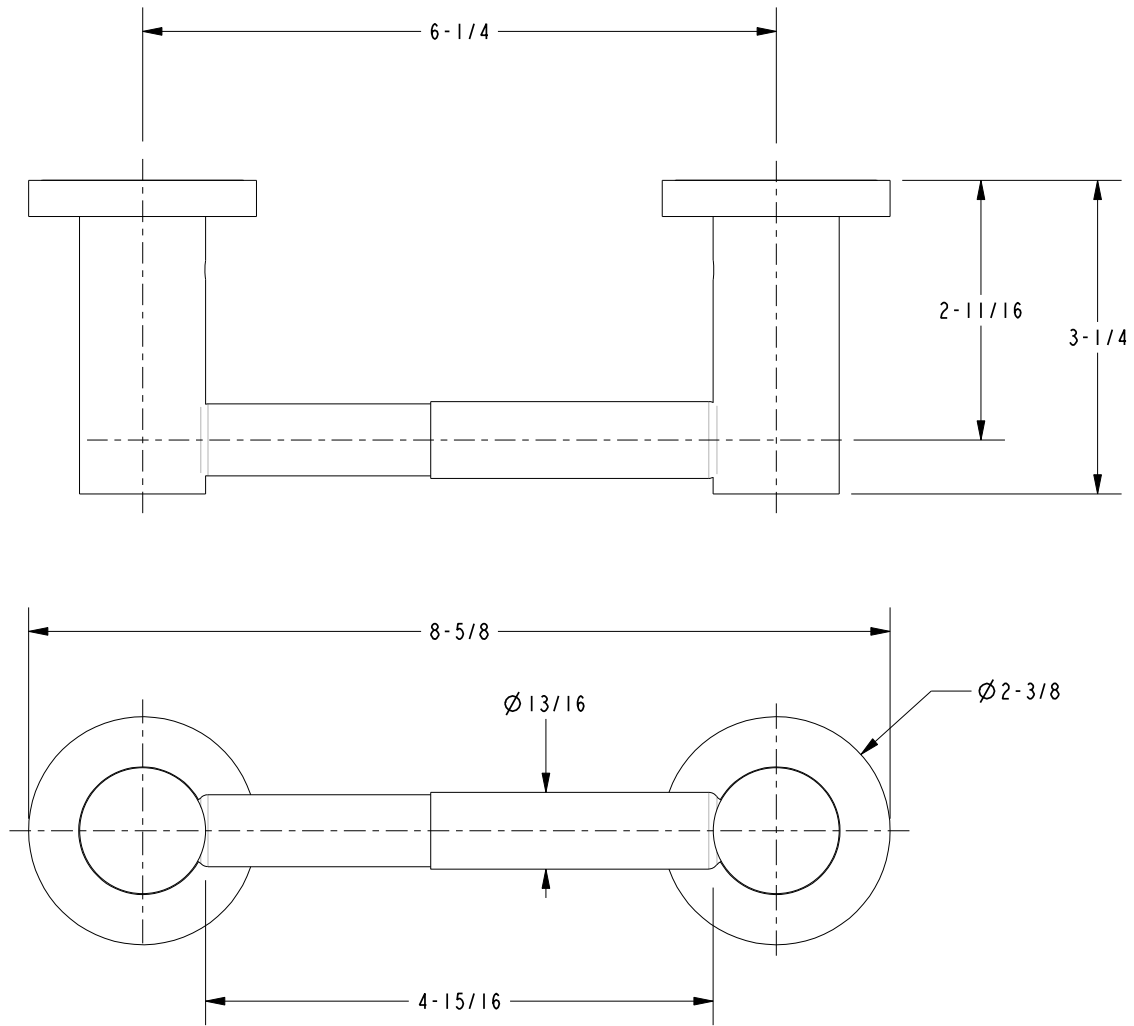
REF. -

SHEET 1 OF 2

B	EN-1241	11/27/09
A	EO-0360	05/17/04
-	RELEASED	06/10/03
REV	REV DESC	DATE

SCALE 0.500

SPECIFICATION DWG



DIMENSIONS ARE IN INCHES AND AN APPROXIMATION OF A TYPICAL INSTALLATION

COPYRIGHT 2005 BRASSTECH, INC. THESE DRAWINGS AND THE DESIGNS DEPICTED HEREIN ARE THE PROPRIETARY PROPERTY OF BRASSTECH. ANY USE OR REPRODUCTION IS SUBJECT TO THE EXPRESS APPROVAL OF BRASSTECH. UNAUTHORIZED USE IS STRICTLY PROHIBITED. ALL RIGHTS RESERVED.

BRASSTECH		2001 E. CARNEGIE AVE.
INCORPORATED		SANTA ANA, CA 92705
		(949) 417-5207
DWG NO.	16-28	REV B
SCALE 0.500	REF. -	SHEET 2 OF 2