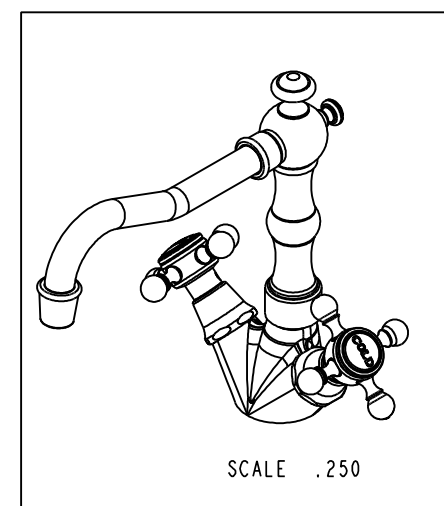


NOTES:

(NI) 1. FIT / FORM / FUNCTION SHALL FOLLOW PS-E.008.

BILL OF MATERIAL (CURRENT LEVEL)

ITEM	PT/ASSY	DESCRIPTION	TYPE	QTY.
1	2-187	SINGLE HOLE CROSS BAR ASSEMBLY	ASSEMBLY	1
2	3-184	SPOUT ASM - 932,938	ASSEMBLY	1
3	10331	BONNET FOR 933, 934	PART	2
4	2-173	CROSS HANDLE ASSEMBLY W/O BUTTON	ASSEMBLY	2
5	1-107	COLD BUTTON ASSEMBLY W/ ADHESIVE	ASSEMBLY	1
6	1-108	HOT BUTTON ASSEMBLY W/ ADHESIVE	ASSEMBLY	1
7	91046	O-RING, #2-118, EPDM, 65-75 DURO	PART	1



TESTING	-	-	-	UNITS ARE: INCHES [MM]
ASSEMBLY	-	-	-	TOLERANCES ARE:
PLATING	-			FRACTIONS DECIMALS ANGLES
POLISHING	-	NEXT ASSY	USED ON	±1/16" .X ±.1 [2,5] ±1°
MACHINING	-	APPLICATION		(X.XXX) DENOTES CRITICAL DIMS. ALL THREADS ARE CRITICAL
TOOLING FIXTURE #		REMOVE ALL BURRS AND SHARP EDGES		DRAWN RAVINDRA 12/21/15
				CHECKED JINSON 12/21/15
				APPROVED J.M 01/15/16

BRASSTECH 2001 CARNEGIE AVE. SANTA ANA, CA 92705 (949) 417-5207
INCORPORATED

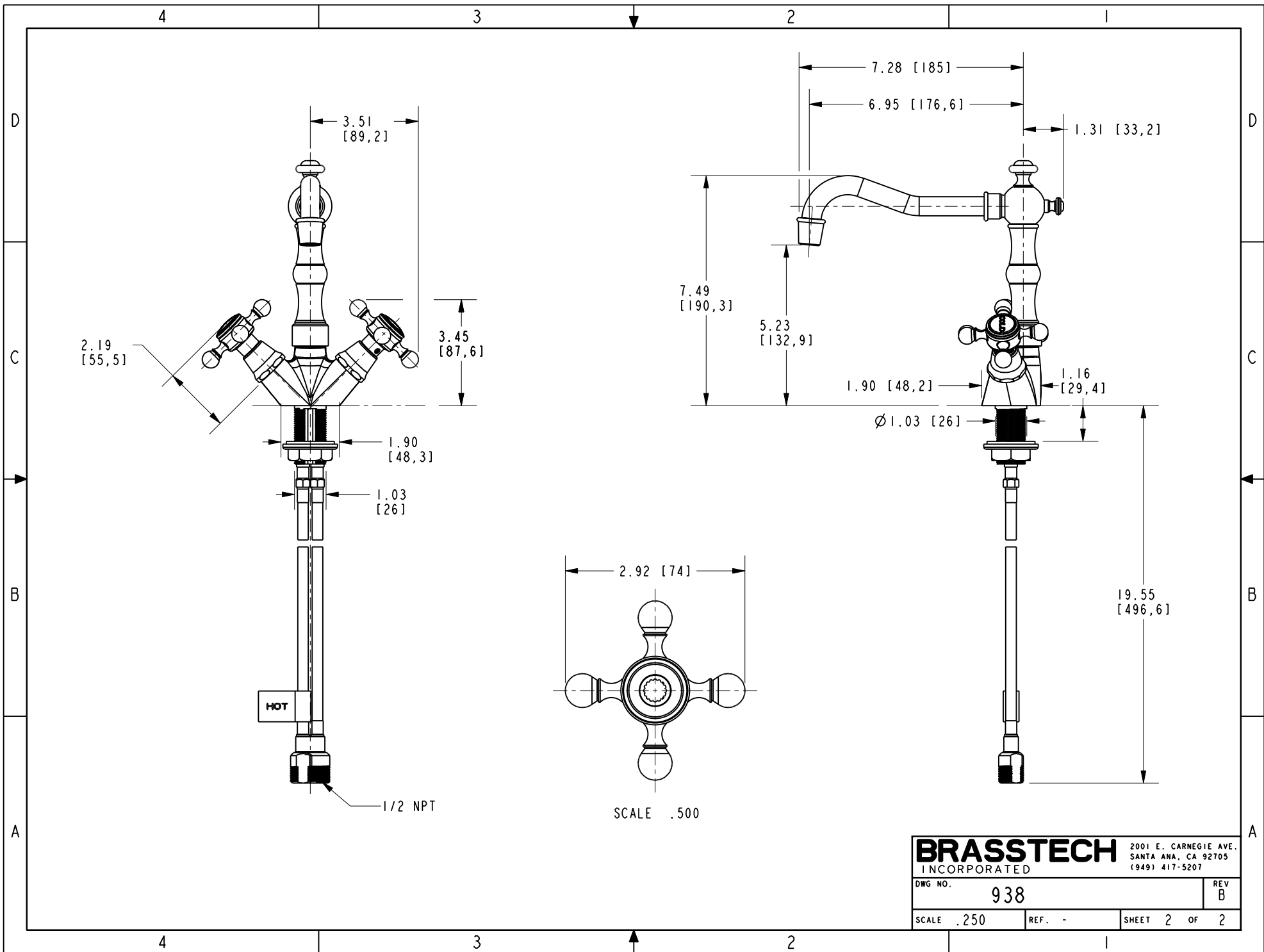
BAR FAUCET

DWG NO. **938** REV **B**

SCALE .225 REF. - SHEET 1 OF 2

ZONE	REV	DESCRIPTION	DATE	APPROVED
-	B	EN-2643	01/15/16	J.M
-	A	EN-1326	09/02/09	-
-	-	RELEASED	-	-

COPYRIGHT 2005 BRASSTECH, INC. THESE DRAWINGS AND THE DESIGNS DEPICTED HEREIN ARE THE PROPRIETARY PROPERTY OF BRASSTECH. ANY USE OR REPRODUCTION IS SUBJECT TO THE EXPRESS APPROVAL OF BRASSTECH. UNAUTHORIZED USE IS STRICTLY PROHIBITED. ALL RIGHTS RESERVED.



BRASSTECH		2001 E. CARNEGIE AVE. SANTA ANA, CA 92705 (949) 417-5207	
DWG NO.	938	REV	B
SCALE	.250	REF.	-
SHEET 2		OF 2	