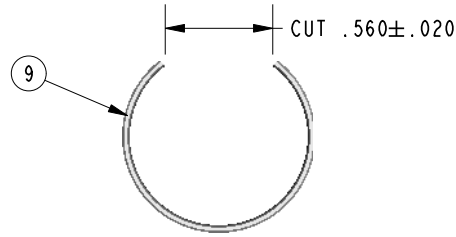
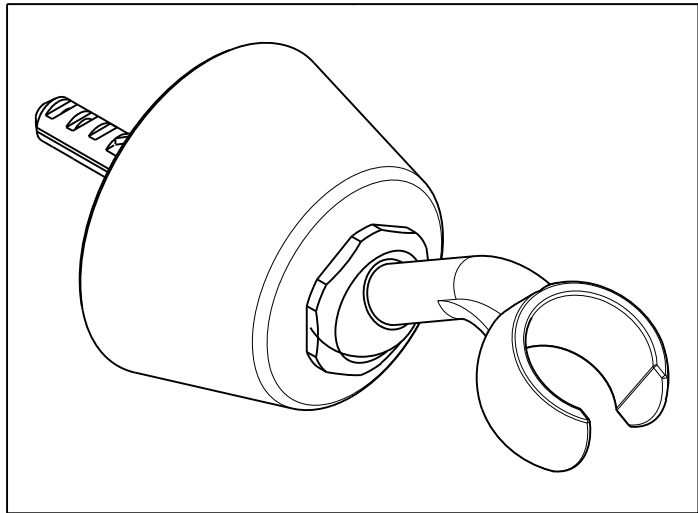
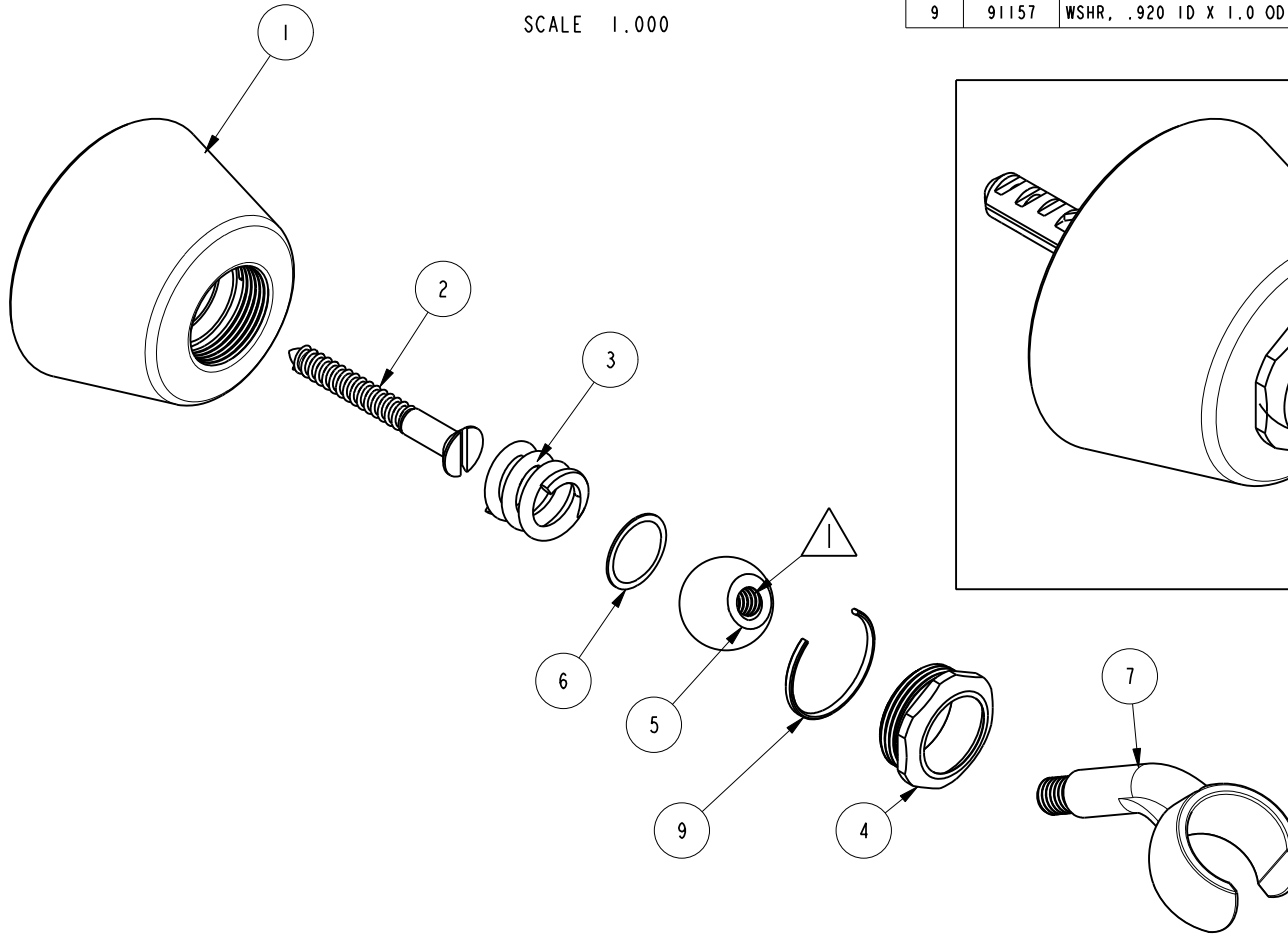
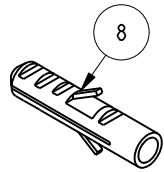




APPLY PERMANENT THREAD LOCKER LOCTITE 680.



SCALE 1.000



**BILL OF MATERIAL (CURRENT LEVEL)**

ITEM	PT/ASSY	DESCRIPTION	TYPE	QTY.
1	50296	BODY	PART	1
2	92070	SCRW, #14 X 2 SLT FLT HD SS	PART	1
3	50300	SPRING - 5/8"	PART	1
4	50299	COLLAR NUT	PART	1
5	50298	PIVOT BALL	PART	1
6	50301	WSHR, .683 OD X .019 THK, FLARED, STEEL	PART	1
7	50297	HOLDER - HAND SHOWER	PART	1
8	91368	WALL ANCHOR PLASTIC, 12-1/4	PART	1
9	91157	WSHR, .920 ID X 1.0 OD X .066 THK, FLT, NYLON	PART	1

COPYRIGHT 2005 BRASSTECH, INC. THESE DRAWINGS AND THE DESIGNS DEPICTED HEREIN ARE THE PROPRIETARY PROPERTY OF BRASSTECH. ANY USE OR REPRODUCTION IS SUBJECT TO THE EXPRESS APPROVAL OF BRASSTECH. UNAUTHORIZED USE IS STRICTLY PROHIBITED. ALL RIGHTS RESERVED.

**BRASSTECH**  
INCORPORATED  
2001 CARNEGIE AVE.  
SANTA ANA, CA 92705  
(949) 417-5207

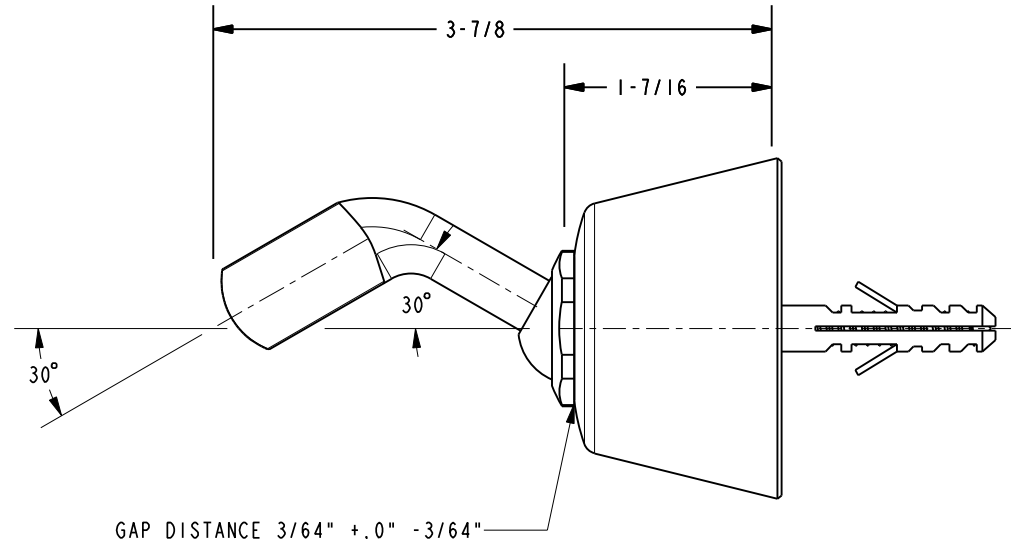
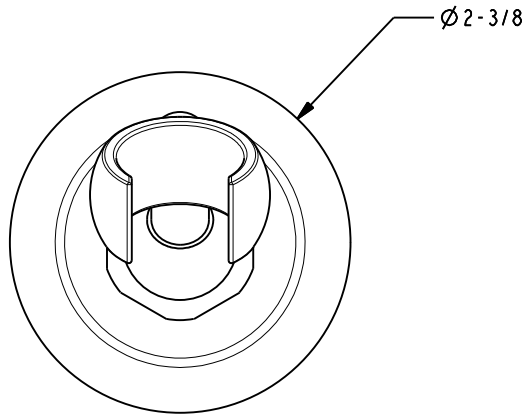
COMPL. BRACKET - HANDSHOWER

ASSY. NO. 287

SCALE 0.625 REF. - SHEET 1 OF 2 REV REV DESC DATE

C	EN-2456	04/04/13
B	EN-2142	04/23/12
A	EO-0093	1/17/03
-	RELEASED	1/8/02
REV	REV DESC	DATE

SPECIFICATION DWG



DIMENSIONS ARE IN INCHES AND AN APPROXIMATION OF A TYPICAL INSTALLATION

COPYRIGHT 2005 BRASSTECH, INC. THESE DRAWINGS AND THE DESIGNS DEPICTED HEREIN ARE THE PROPRIETARY PROPERTY OF BRASSTECH. ANY USE OR REPRODUCTION IS SUBJECT TO THE EXPRESS APPROVAL OF BRASSTECH. UNAUTHORIZED USE IS STRICTLY PROHIBITED. ALL RIGHTS RESERVED.

<b>BRASSTECH</b>		2001 CARNEGIE AVE. SANTA ANA, CA 92705 (949) 417-5207	
DWG NO.	287	REV	C
SCALE	0.750	REF.	-
		SHEET	2 OF 2