

# NEWPORT SHOWER

## Shower Arm Flange

# 207

### Features

- Solid brass construction
- 2-3/8" diameter with o-ring retainer

### Codes / Standards Compliance

Meets or exceeds the following at date of manufacture:

- All applicable US Federal and State material regulations

### Colors / Finishes

- 10B: Oil Rubbed Bronze
- 15: Polished Nickel
- 15S: Satin Nickel - PVD
- 26: Polished Chrome
- Other: Refer to the Newport Brass catalog for additional color/finish options.



### Specified Model

Model	Description	Colors   Finishes				
207	Shower Arm Flange with O-Ring Retainer	<input type="checkbox"/> 10B	<input type="checkbox"/> 15	<input type="checkbox"/> 15S	<input type="checkbox"/> 26	<input type="checkbox"/> Other

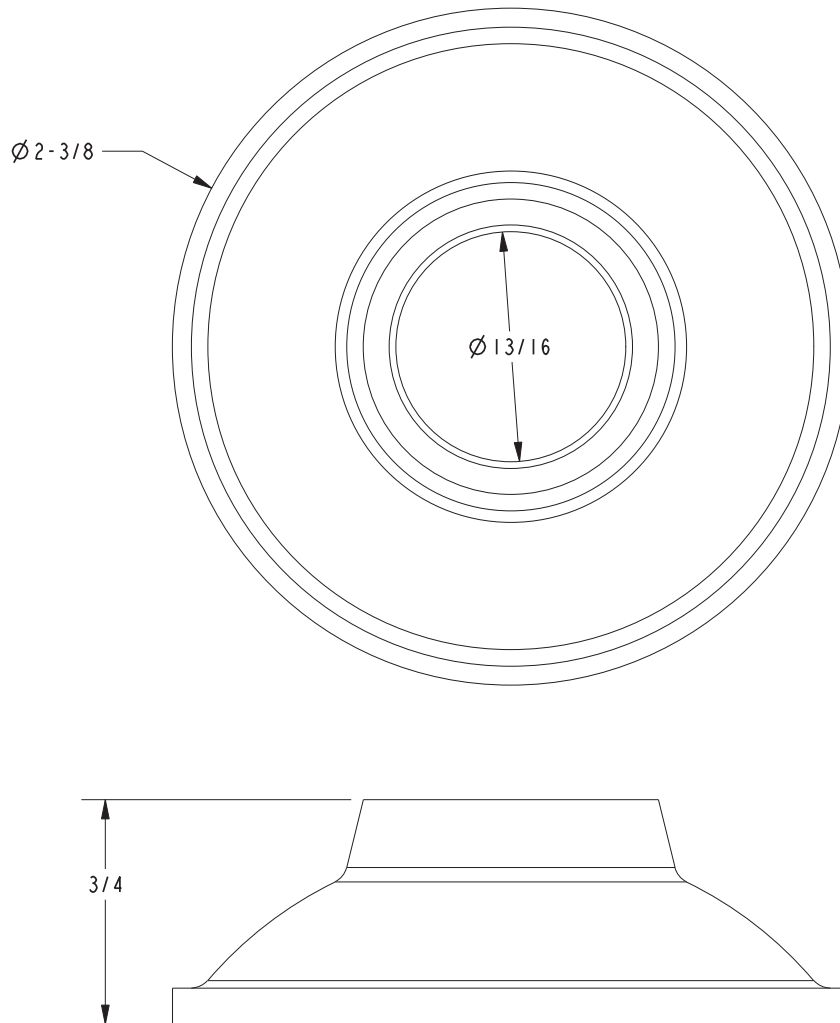
### Optional Accessory:

Model	<input type="checkbox"/> 200	<input type="checkbox"/> 201	<input type="checkbox"/> 203	<input type="checkbox"/> 202	<input type="checkbox"/> 2021	<input type="checkbox"/> 202-1	<input type="checkbox"/> 205
Description	6" Shower Arm	8" Shower Arm	10" Shower Arm	12" Shower Arm (90° Bend)	18" Shower Arm (90° Bend)	12" Shower Arm (90° Mitered)	Goose-Nick Shower Arm (Elevated 10")
Finish	<input type="checkbox"/> 10B <input type="checkbox"/> 15 <input type="checkbox"/> 26 <input type="checkbox"/> 15S <input type="checkbox"/> Other	<input type="checkbox"/> 10B <input type="checkbox"/> 15 <input type="checkbox"/> 26 <input type="checkbox"/> 15S <input type="checkbox"/> Other	<input type="checkbox"/> 10B <input type="checkbox"/> 15 <input type="checkbox"/> 26 <input type="checkbox"/> 15S <input type="checkbox"/> Other	<input type="checkbox"/> 10B <input type="checkbox"/> 15 <input type="checkbox"/> 26 <input type="checkbox"/> 15S <input type="checkbox"/> Other	<input type="checkbox"/> 10B <input type="checkbox"/> 15 <input type="checkbox"/> 26 <input type="checkbox"/> 15S <input type="checkbox"/> Other	<input type="checkbox"/> 10B <input type="checkbox"/> 15 <input type="checkbox"/> 26 <input type="checkbox"/> 15S <input type="checkbox"/> Other	<input type="checkbox"/> 10B <input type="checkbox"/> 15 <input type="checkbox"/> 26 <input type="checkbox"/> 15S <input type="checkbox"/> Other
Image							

### Product Specification: Add size designator and "Color / Finish" suffix to Model number, below.

The Shower Arm Flange shall be made of solid brass construction. The Shower Arm Flange shall cover a 2-3/8" diameter at the wall and retain an o-ring interface with the shower arm. Shower Arm Flange shall be Newport Brass Model 207/\_\_\_\_ and Shower Arm shall be Newport Brass Model 2\_\_\_\_\_/\_\_\_\_\_.

# 207



**Newport Bath Shower Arm Flange**  
**207**