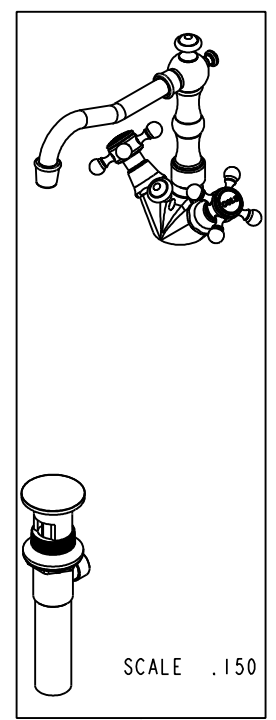


NOTES:

- (N1) 1. FIT / FORM / FUNCTION SHALL FOLLOW PS-E.008.
- 2. APPLY LIGHT FILM OF DOW CORNING III SILICONE COMPOUND.

BILL OF MATERIAL (CURRENT LEVEL)

ITEM	PT/ASSY	DESCRIPTION	TYPE	QTY.
1	3-186	LAVATORY BODY ASM	ASSEMBLY	1
2	3-184	SPOUT ASM - 932,938	ASSEMBLY	1
3	91046	O-RING, #2-118, EPDM, 65-75 DURO	PART	1
4	10331	BONNET FOR 933, 934	PART	2
5	2-173	CROSS HANDLE ASSEMBLY W/O BUTTON	ASSEMBLY	2
6	1-107	COLD BUTTON ASSEMBLY W/ ADHESIVE	ASSEMBLY	1
7	1-108	HOT BUTTON ASSEMBLY W/ ADHESIVE	ASSEMBLY	1
8	10419	BENT POP-UP	PART	1
9	10539	POP-UP KNOB	PART	1
10	325	POP UP ASSEMBLY	ASSEMBLY	1



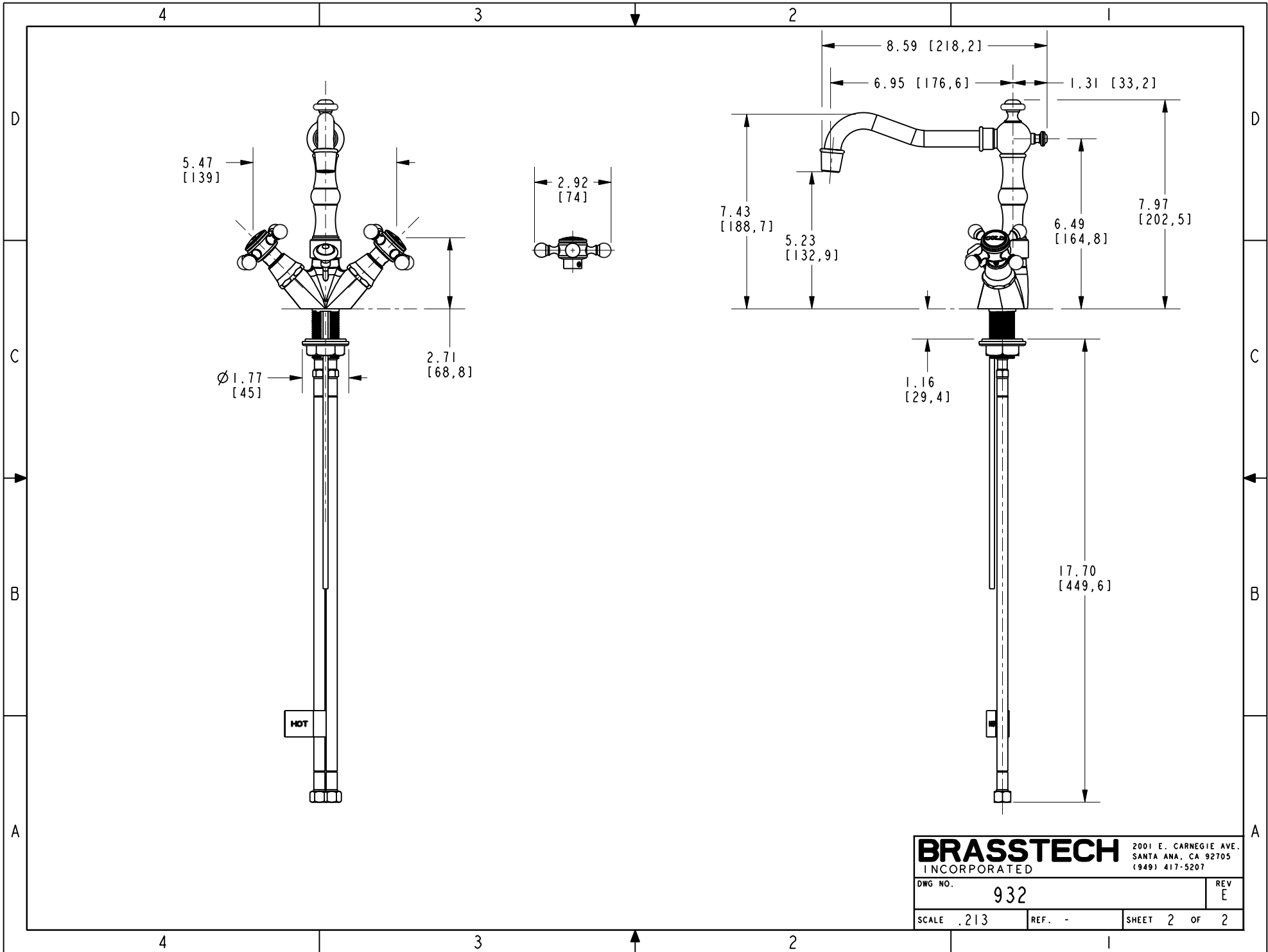
ZONE	REV	DESCRIPTION	DATE	APPROVED
-	E	EN-2643	01/15/16	J.M
-	D	EN-2119	07/30/12	-
-	C	EN-1326	09/02/09	-
-	B	EO-0148	11/08/02	-
-	A	EO-0129	09/18/00	-
-	-	RELEASE	PRE '95	-

COPYRIGHT 2005 BRASSTECH, INC. THESE DRAWINGS AND THE DESIGNS DEPICTED HEREIN ARE THE PROPRIETARY PROPERTY OF BRASSTECH. ANY USE OR REPRODUCTION IS SUBJECT TO THE EXPRESS APPROVAL OF BRASSTECH. UNAUTHORIZED USE IS STRICTLY PROHIBITED. ALL RIGHTS RESERVED.

TESTING	ASSEMBLY	PLATING	POLISHING	MACHINING	TOOLING FIXTURE #
-	-	-	-	-	-
-	-	-	NEXT ASSY	USED ON	-
-	-	-	-	APPLICATION	-
-	-	-	-	-	REMOVE ALL BURRS AND SHARP EDGES

UNITS ARE: INCHES [MM]
 TOLERANCES ARE:
 FRACTIONS DECIMALS ANGLES
 $\pm 1/16"$.X $\pm .1$ [2,5] $\pm 1^\circ$
 .XX $\pm .06$ [1,5]
 (X.XXX) DENOTES CRITICAL DIMS.
 ALL THREADS ARE CRITICAL
 DRAWN AMARISH 12/22/15
 CHECKED JINSON 12/22/15
 APPROVED J.M 01/15/16

BRASSTECH 2001 CARNEGIE AVE. SANTA ANA, CA 92705 (949) 417-5207
 INCORPORATED
SINGLE-HOLE LAVATORY FAUCET
 DWG NO. 932
 SCALE .200 REF. - SHEET 1 OF 2
 REV E



BRASSTECH		2001 E. CARNEGIE AVE. SANTA ANA, CA 92705 (949) 417-5207	
DWG NO.	932	REV	E
SCALE	.213	REF.	-
SHEET 2		OF 2	