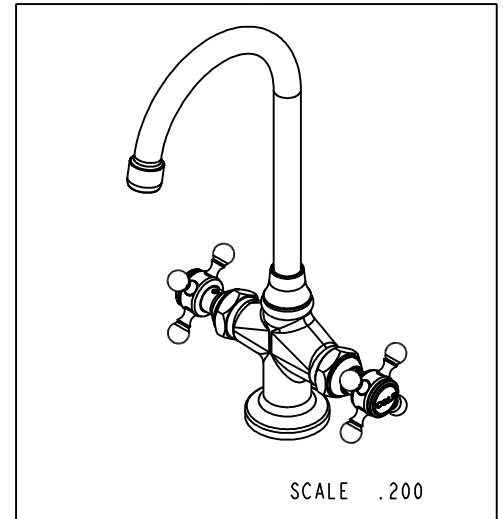
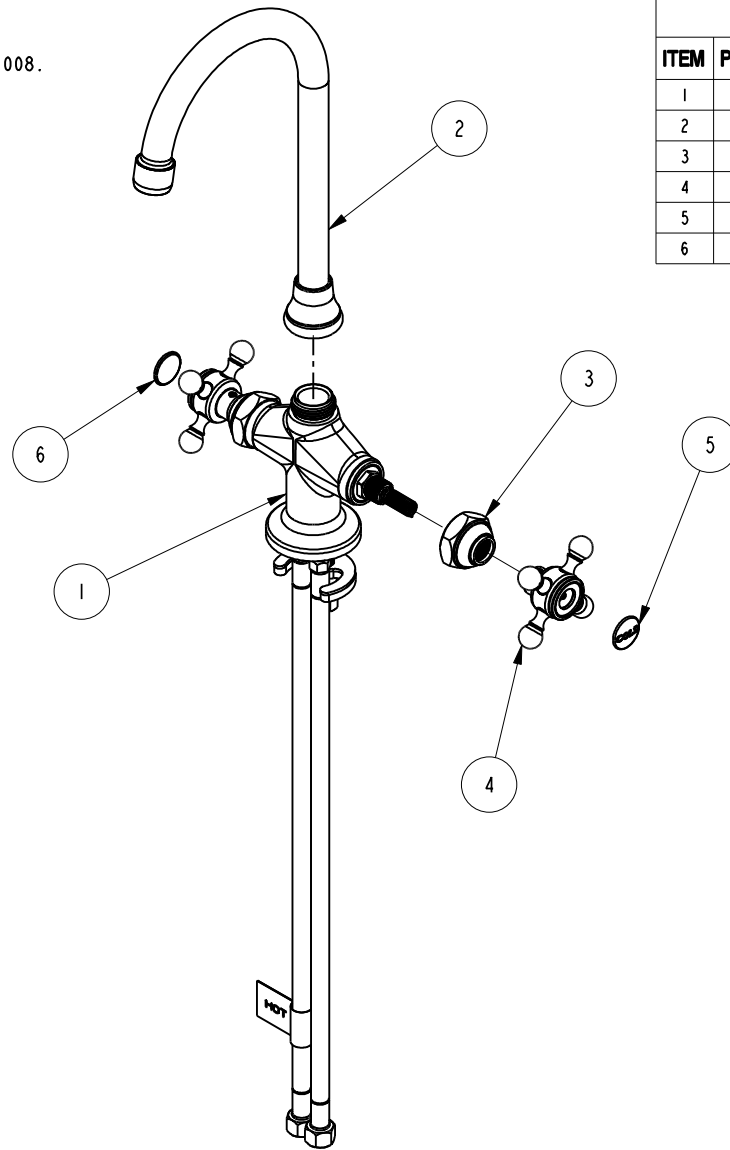


NOTES:

(N1) I. FIT / FORM / FUNCTION SHALL FOLLOW PS-E.008.

BILL OF MATERIAL (CURRENT LEVEL)

ITEM	PT/ASSY	DESCRIPTION	TYPE	QTY.
1	2-239	SINGLE HOLE CROSS BAR ASSEMBLY	ASSEMBLY	1
2	2-132	BAR SPOUT ASM	ASSEMBLY	1
3	10517	NUT - DOME HEX	PART	2
4	2-173	CROSS HANDLE ASSEMBLY W/O BUTTON	ASSEMBLY	2
5	1-107	COLD BUTTON ASSEMBLY W/ ADHESIVE	ASSEMBLY	1
6	1-108	HOT BUTTON ASSEMBLY W/ ADHESIVE	ASSEMBLY	1



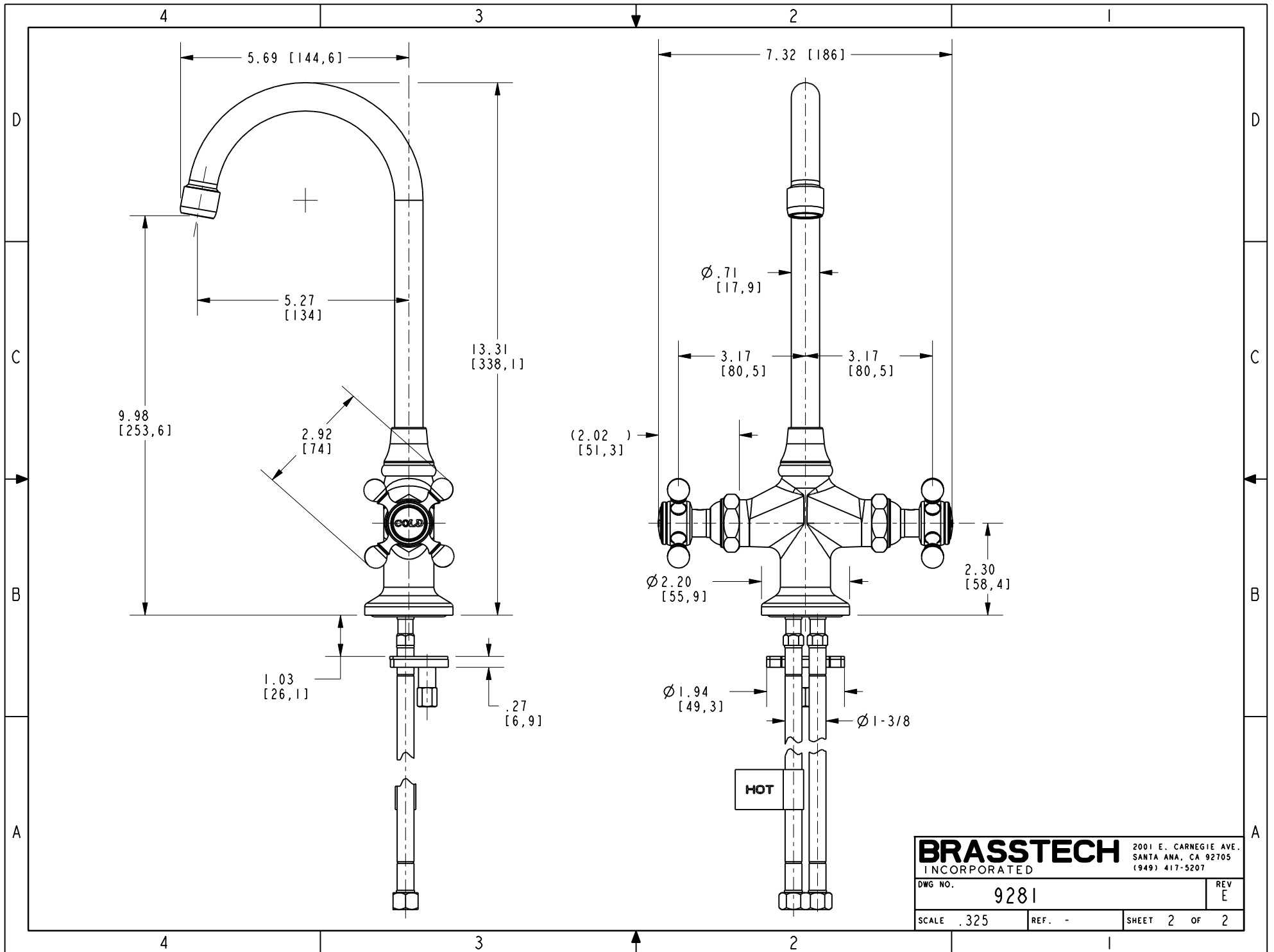
-	E	EN-2643	01/15/16	J.M
-	D	EN-2119	07/24/12	-
-	C	EO-0129	02/07/03	-
-	B	EO-0274	10/20/03	-
-	A	EO-0098	10/17/02	-
-	-	RELEASE	PRE-99	-
ZONE	REV	DESCRIPTION	DATE	APPROVED

COPYRIGHT 2005 BRASSTECH, INC. THESE DRAWINGS AND THE DESIGNS DEPICTED HEREIN ARE THE PROPRIETARY PROPERTY OF BRASSTECH. ANY USE OR REPRODUCTION IS SUBJECT TO THE EXPRESS APPROVAL OF BRASSTECH. UNAUTHORIZED USE IS STRICTLY PROHIBITED. ALL RIGHTS RESERVED.

TESTING	-	-	-
ASSEMBLY	-	-	-
PLATING	-	-	-
POLISHING	-	NEXT ASSY	USED ON
MACHINING	-	APPLICATION	
TOOLING FIXTURE #	REMOVE ALL BURRS AND SHARP EDGES		

UNITS ARE: INCHES [MM]			
TOLERANCES ARE:			
FRACTIONS	DECIMALS	ANGLES	
±1/16"	.X ±.1 [2,5]	±1°	
	.XX ±.06 [1,5]		
(X.XXX) DENOTES CRITICAL DIMS.			
ALL THREADS ARE CRITICAL			
DRAWN	AMARISH	12/22/15	
CHECKED	RAVINDRA	12/22/15	
APPROVED	J.W	01/15/16	

BRASSTECH		2001 CARNEGIE AVE. SANTA ANA, CA 92705 (949) 417-5207	
INCORPORATED			
BAR FAUCET ASM			
DWG NO.	9281	REV	E
SCALE	.225	REF.	-
SHEET	1	OF	2



BRASSTECH		2001 E. CARNEGIE AVE. SANTA ANA, CA 92705 (949) 417-5207	
DWG NO.	9281	REV	E
SCALE .325	REF. -	SHEET 2 OF 2	